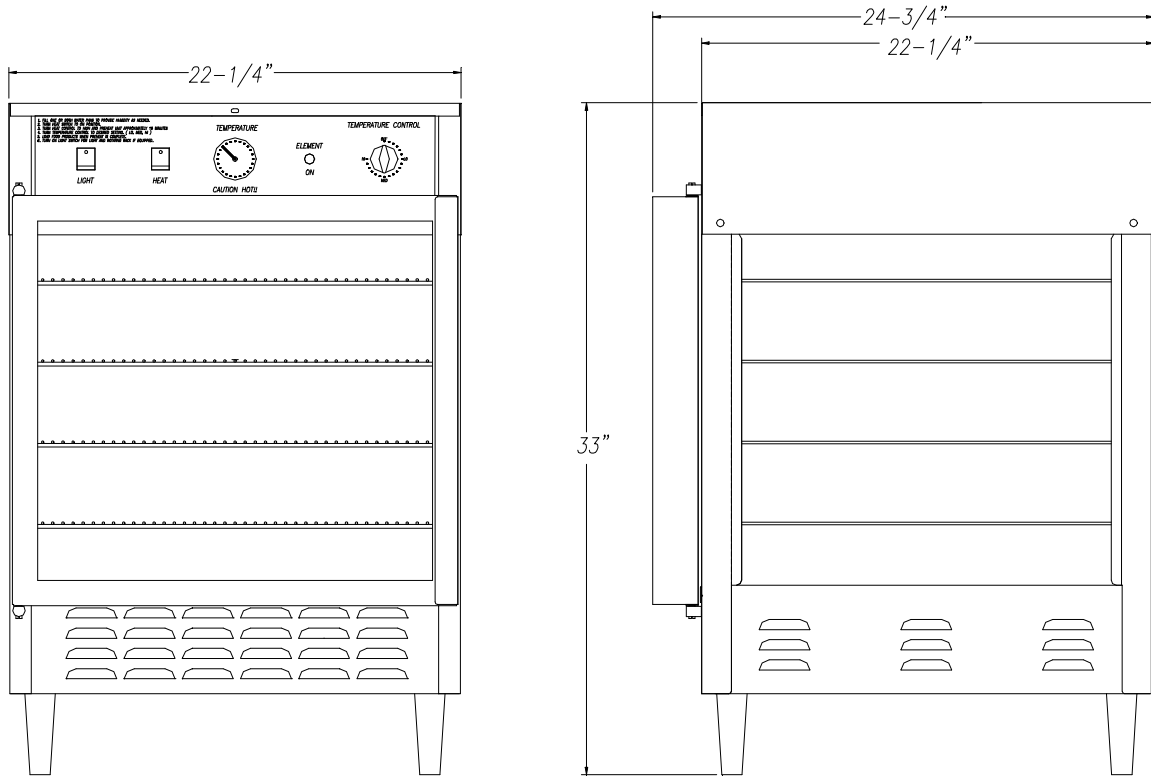


Humidified Pizza Cabinet 5550FR



Electrical Specifications:

120V 60HZ. 12 amps  
15 amp plug ( NEMA 5-15P ) 5 ft. long  
Export 240v 50Hz.

Dimensions:

22-1/4 in. x 22-1/4 in. x 33 in. high

Features:

- Twin trays hold water supply for 8 hours
- Holds (3) 19 inch dia. Pizza Pans
- Lift-Out glass and 4" legs for easy cleaning

Lighting:

Equipped with (2) 40 watt lights

Agency Approvals:

U.L., CUL, U.L.S, CE

**Gold Medal Products Co.**  
10700 Medallion Drive  
Cincinnati, Ohio 45241-4807  
Phone: 513-769-7676 fax: 513-769-8500