

Item No. \_\_\_\_\_

**Model Number:** 5588

**Description**

**PRETZEL WARMER 12 X 12**



Ultra small space required. 12W x 12D x 38"H.

Stainless steel corner posts, tempered glass, door with aluminum frame.

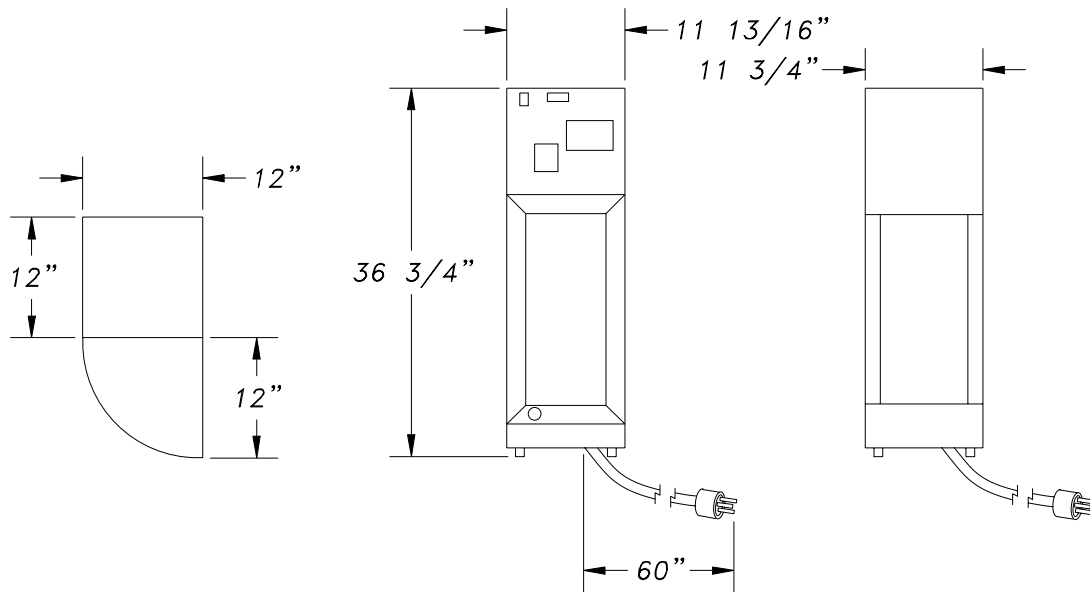


**Gold Medal Products Co.**

10700 Medallion Drive  
Cincinnati, Ohio 45241-4807  
E-Mail [goldme19@eos.net](mailto:goldme19@eos.net)  
Web Site [gmpopcorn.com](http://gmpopcorn.com)

Phone: (513) 769-7676  
(800) 543-0862  
Fax: (513) 769-8500  
Toll Free Fax (800) 542-1496

Model Number: 5588



Width: 12.00  
Length: 12.00  
Height: 38.00  
Weight: 56

Pkg Width: 14.00  
Pkg Length: 14.00  
Pkg Height: 40.00  
Pkg Weight: 60.00  
CU/FT: 4.50

Voltage: 120  
AMPS: 10  
Wattage: 1200

Hertz: 60  
Receptacle: 5-15R  
Plug Type: 5-15P

**Model Variations**

**Gold Medal Products Co.**

10700 Medallion Drive  
Cincinnati, Ohio 45241-4807  
E-Mail [goldme19@eos.net](mailto:goldme19@eos.net)  
Web Site [gmpopcorn.com](http://gmpopcorn.com)

Phone: (513) 769-7676  
(800) 543-0862  
Fax: (513) 769-8500  
Toll Free Fax (800) 542-1496