

bakeryXpress



Model No.

DX-BMIH

Manual Dough Divider

The DX-BMIH manual dough divider has two machines in one capability. Interchangeable head assemblies in either 36-part or 18-part divisions allow fast accurate scaling of dough in weights ranging from 36 pieces from 1 ounce up to 4 ounces each or 18 pieces from 2 ounces up to 9 ounces each, 9 part from 4 oz to 16 oz.

Use:

- DX-BMIH is Capable of dividing many types of Yeast Raised Dough including Bread & Bun dough, Tortilla & Pizza dough, Cookie and Pie dough and even Ground Meat or Sausage for exact portion control.
- When removed for cleaning or interchange, (no tools required), the entire head assembly can be placed into a sink or dishwasher for complete cleaning to a sanitary operating condition in just minutes per day.

Features:

- 3-in-1 Machine Capabilities
- Dividing Head Assembly easily removed in seconds, without tools... for Total Cleanability and Interchange with Optional Divider head assemblies
- Versatility... 1-oz. up to 16 oz.
- Lightweight and mobile when mounted to portable stand (P/N DX-B4-436-0072)

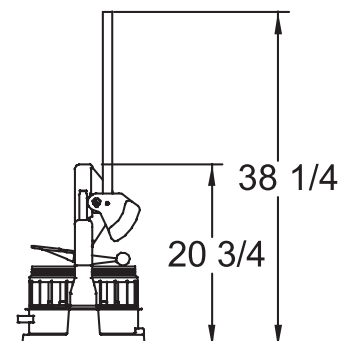
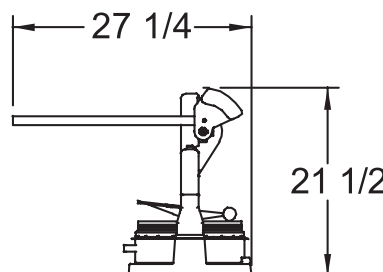
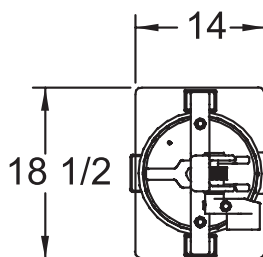


MACHINE DIMENSIONS

Width: 18-1/2 inches, 47 centimeters
Height: 38-1/4 inches, 97.2 centimeters
Depth: 14 inches, 35.6 centimeters

MACHINE WEIGHT

Press Only: 80 lbs., 26 kg
Shipping: 88 lbs., 39.6 kg



doughXpress

HIX Corporation Food Division

Product improvement may require us to change specifications without notice.

Revised July 2018

DOUGHXPRESS

1201 E. 27th Terrace
Pittsburg, KS 66762 USA

Toll Free: (800) 835-0606 ext.205

Tel: (620) 231-8568 ext.205

Fax: (620) 231-1598

doughxpress@hixcorp.com or visit www.doughxpress.com