



## Vegetable Slicer TRS Classic - Vegetable Cutter, 750W single speed

ITEM # \_\_\_\_\_  
 MODEL # \_\_\_\_\_  
 NAME # \_\_\_\_\_  
 SIS # \_\_\_\_\_  
 AIA # \_\_\_\_\_



600398 (TR24DU)

TRS Classic - Vegetable Slicer, single speed, 750W (discs not included)

### Short Form Specification

**Item No.** \_\_\_\_\_

TRS Classic - Vegetable Slicer, single speed, 750W (1HP)(discs not included).

Universal vegetable preparation machine for more than 80 different types of cuts. Stainless steel motor casing. Removable cover and feed arm in polished cast aluminium with incorporated magnetic safety device which only allows the cutter to operate if the hopper is closed. No volt release system. Self braking motor.

WARRANTY: 1 year Parts & 1 year Labor

APPROVAL: \_\_\_\_\_

### Main Features

- Complete and wide selection of blades and grids available, Diameter of blades and grids are 8" (205mm).
- Vegetable slicer unit has slicing, grating, shredding (julienne) as well as dicing and french fries capabilities.
- Suitable for 100-300 meals for table service and up to 600 meals for catering service.
- Delivered with: polished cast aluminium vegetable preparation attachment with a lever-integrated long vegetable hopper 2" diameter (52mm) and a large half moon hopper 6" x3" (154x77mm).
- Ergonomically design to work frontally and to reduce the working space around the machine.
- Hopper easily removed for cleaning.
- Base inclined at 20° to provide easy loading and unloading.
- Magnetic safety system and motor brake. Prevents machine from running when lever swings away or is open.
- Automatic restart of the machine with the half-moon shaped lever in position.
- Continuous feed model.

### Construction

- Compact and portable design.
- Asynchronous industrial motor with no brushes for high reliability and quiet functioning, stainless steel motor shaft.
- IP55 waterproof ON/OFF buttons, IP24 throughout the entire machine.
- 1 speed: 400 rpm - for precise cutting, slicing and dicing.

### Optional Accessories

- Stainless steel shredding disc with S-blades 5/32" x 5/32" (4x4 mm) PNC 650077
- Stainless steel shredding disc with S-blades 1/4" x 1/4" (6x6 mm) (can also be used for French fries) PNC 650078
- Stainless steel shredding disc with S-blades 5/16" x 5/16" (8x8 mm) (can also be used for French fries) PNC 650079
- Stainless steel shredding disc with S-blades 3/8" x 3/8" (10x10 mm) (can also be used for French fries) PNC 650080
- Stainless steel pressing/slicing disc with S-blades 0, 1/4" (6 mm) (can be used for slicing or combined with grids) PNC 650081
- Stainless steel pressing/slicing disc with S-blades 1/32" (1 mm) (can be used for slicing or combined with grids) PNC 650082
- Stainless steel pressing/slicing disc with S-blades 5/64" (2 mm) (can be used for slicing or combined with grids) PNC 650083
- Stainless steel pressing/slicing disc with S-blades 1/8" (3 mm) (can be used for slicing or combined with grids) PNC 650084



TRS Classic - Vegetable Cutter, 750W single speed  
Vegetable Slicer



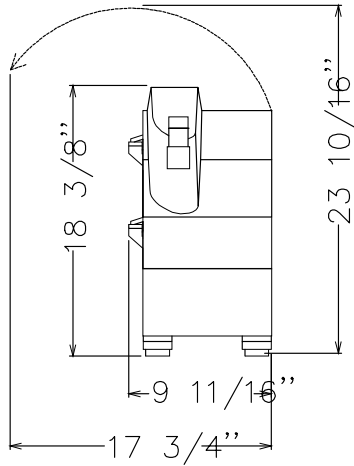
## Vegetable Slicer TRS Classic - Vegetable Cutter, 750W single speed

- Stainless steel pressing/slicing disc with S-blades PNC 650085 □  
5/32" (4 mm) (can be used for slicing or combined with grids)
- Stainless steel pressing/slicing disc with S-blades PNC 650086 □  
3/16" (5 mm) (can be used for slicing or combined with grids)
- Stainless steel pressing/slicing disc with S-blades PNC 650087 □  
1/4" (6 mm) (can be used for slicing or combined with grids)
- Stainless steel pressing/slicing disc with S-blades PNC 650088 □  
5/16" (8 mm) (can be used for slicing or combined with grids)
- Stainless steel pressing/slicing disc with PNC 650089 □  
corrugated S-blades 5/64" (2 mm) (can be used for slicing or combined with grids)
- Stainless steel pressing/slicing disc with PNC 650090 □  
corrugated S-blades 1/8" (3 mm) (can be used for slicing or combined with grids)
- Stainless steel pressing/slicing disc with PNC 650091 □  
corrugated S-blades 1/4" (6 mm) (can be used for slicing or combined with grids)
- Bistrot Pack, Stainless Steel Disc Set containing PNC 650092 □  
one each of: C2SX 5/64" (2mm) slicing disc, C5SX 3/16" (5mm) slicing disc, J2X 5/64" (2mm) grating disc
- Gastronomic 6-Disc Set, Stainless Steel Disc Set PNC 650093 □  
containing one each of: C2S 5/64" (2mm) slicing disc, C5S 3/16" (5mm) slicing disc, J2X 5/64" (2mm) grating disc, AS4X 5/32"x5/32" (4x4mm) shredding disc, C10PS 3/8" (10mm) presser/slicer, MT10T 3/8"x3/8" ( )
- Set of 3 stainless steel discs for Pizza 5/64", 5/32", PNC 650107 □  
9/32" (2mm and 4mm pressing/slicing discs with S-blades, 7mm grating disc)
- Stainless steel shredding disc with S-blades 5/64 PNC 650158 □  
" x 5/16" (2x8 mm)
- Stainless steel shredding disc with S-blades 5/64 PNC 650159 □  
" x 3/8" (2x10 mm)
- Stainless steel pressing/slicing disc with S-blades PNC 650160 □  
3/8" (10 mm) (can be used for slicing or combined with grids)
- Stainless steel pressing/slicing disc with S-blades PNC 650161 □  
15/32" (12 mm) (can be used for slicing or combined with grids)
- Stainless steel pressing/slicing disc with PNC 650162 □  
corrugated S-blades 5/16" (8 mm) (can be used for slicing or combined with grids)
- Stainless steel pressing/slicing disc with PNC 650164 □  
corrugated S-blades 3/8" (10 mm) (can be used for slicing or combined with grids)
- Stainless steel pressing/slicing disc with S-blades PNC 650165 □  
33/64" (13 mm) (can be used for slicing or combined with grids)
- Stainless steel shredding disc with S-blades 5/64 PNC 650166 □  
" x 5/64" (2x2 mm)
- Stainless steel shredding disc with S-blades 1x8 PNC 650167 □  
" x 1/8" (3x3 mm)
- Set of 4 Stainless Steel Discs containing one each PNC 650178 □  
of: C2S 5/64" (2mm) slicing disc, C5S 3/16" (5mm) slicing disc, J2X 5/64" (2mm) grating disc and J7X 9/32" (7mm) grating disc
- Set of 7 Stainless Steel Discs containing one each PNC 650179 □  
of: C2S 5/64" (2mm) slicing disc, C5S 3/16" (5mm) slicing disc, J2X 5/64" (2mm), J7X 9/32" (7mm) grating disc, AS4X 5/32"x5/32" (4x4mm) shredding disc, C10PSB 3/8" (10mm) presser/slicer, MT10T 3/8"x3/8" (1
- MultiGreen and TRS Storage Case (for 1 blade PNC 653050 □  
only)
- Stainless steel work table assembly. PNC 653283 □
- Dicing grid 3/16" x 3/16" (5x5 mm) PNC 653566 □
- Dicing grid 5/16" x 5/16" (8x8 mm) PNC 653567 □
- Dicing grid 3/8"x 3/18" (10x10 mm) PNC 653568 □
- Dicing grid 15/32"x 15/32" (12x12 mm) PNC 653569 □
- Dicing grid 25/32"x 25/32" (20x20 mm) PNC 653570 □
- Grid for chips 1/4" x 1/4" (6x6 mm) PNC 653571 □
- Grid for chips 5/16"x 5/16" (8x8 mm) PNC 653572 □
- Grid for chips 3/8" x 3/8" (10x10 mm) PNC 653573 □
- Stainless steel grating disc 5/64", fine (2mm) PNC 653773 □
- Stainless steel grating disc, 1/8", fine (3mm) PNC 653774 □
- Stainless steel grating disc 5/32" (4mm) PNC 653775 □
- Stainless steel grating disc 9/32" (7mm) PNC 653776 □
- Stainless steel grating disc 11/32" (9mm) PNC 653777 □
- Stainless steel grating disc, designed for nuts, PNC 653778 □  
chocolate & bread crumbs, stainless steel
- Stainless steel grating disc, especially fine grating PNC 653779 □  
for Parmesan cheese and chocolate, stainless steel

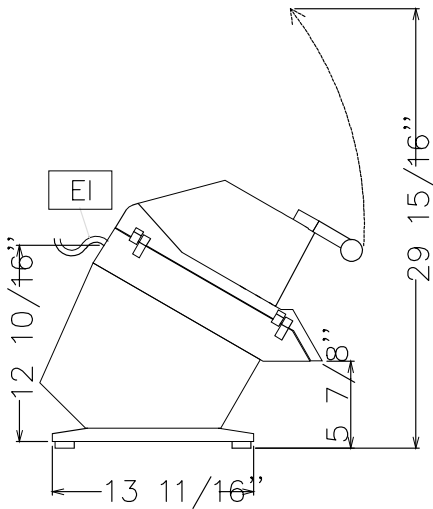


# Vegetable Slicer TRS Classic - Vegetable Cutter, 750W single speed

**Front**

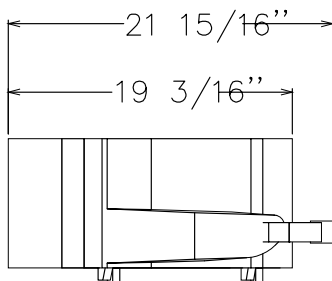


**Side**



EI = Electrical connection

**Top**



## Electric

Supply voltage:

600398 (TR24DU) 115 V/1N ph/60 Hz

Electrical power, max: 0.6 kW

Total Watts: 0.6 kW

Plug type: USA NEMA 5-15P

Horsepower: 1 HP

## Key Information:

External dimensions, Width: 9 11/16" (246 mm)

External dimensions, Depth: 21 15/16" (557 mm)

External dimensions, Height: 18 3/8" (466 mm)

Shipping weight: 51 lbs (23 kg)

Vegetable Slicer  
TRS Classic - Vegetable Cutter, 750W single speed

The company reserves the right to make modifications to the products without prior notice. All information correct at time of printing.

2019.10.17