



ACCESSORIES: AGM AND ASA LOW PROFILE HEAVY-DUTY GAS GRIDDLES



ASA24 With Towel Bar



GRIDDLE CUTTING BOARD CHARBROILER CONDIMENT RAIL HOTPLATE PLATE RAIL

- CUTTING BOARD**
- CONDIMENT RAIL**
- PLATE RAIL**
- TOWEL BAR**
- LEG OPTIONS**
- BANKING STRIP**
- GROOVED GRIDDLE SCRAPER**
- KNOB GUARDS**

KEY FEATURES:

- ▶ Stainless steel construction.
- ▶ Welded and smooth blended edges.
- ▶ Line matched to ACB charbroiler and AHP hotplate accessories.
- ▶ Cutting board accessory features stainless steel frame with removable board inserts. Inserts are 1" thick X 7" wide, Sani-TUFF® rubber NSF listed boards.
- ▶ Condiment rails will accommodate up to the following amounts of 1/6 size containers:
 - 24" model – 3
 - 36" model – 4
 - 48" model – 6
 - 60" model – 8
 - 72" model – 9
- ▶ Plate rails feature a full 10⁵/₈" deep stainless steel shelf.
- ▶ Towel bar accessory offers convenient location to hang towels and acts as a "belly bar" to prevent operator contact with a hot griddle.
- ▶ Adjustable bullet foot legs available in 6", 8", 10" and 12" lengths.
- ▶ Adjustable flange foot legs available in 4" and 6" lengths.
- ▶ Banking strip connects like side splashes together.
- ▶ Grooved griddle scraper has heavy duty handle and scraping head that matches grooved plate contour of AGM and ASA series griddles.
- ▶ Knob guards protect thermostat knobs from accidental damage. (one for each thermostat-ASA models only)
- ▶ One year limited parts and labor warranty.

Approved by _____

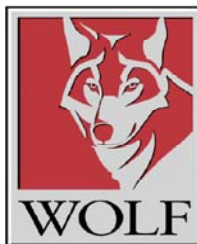
Date: _____

OPTIONAL FEATURES:

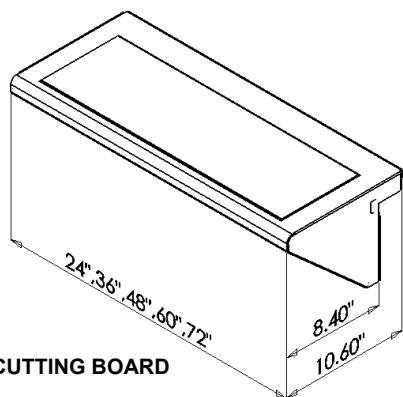
- ▶ Product variations available. See your sales representative for product variance requests.

SPECIFY GRIDDLE SIZE WHEN ORDERING

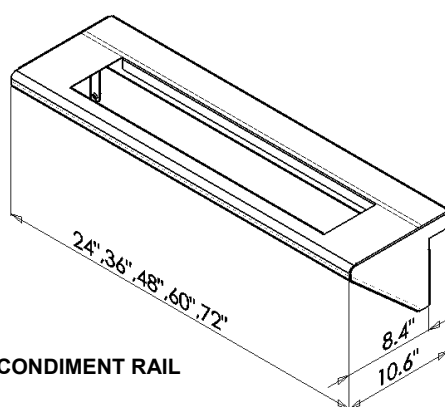
<h1 style="margin: 0;">WOLF RANGE COMPANY</h1>	<p>Wolf Range Company Division of ITW Food Equipment Group LLC (800) 366-9653 www.wolfrange.com</p>
---	--



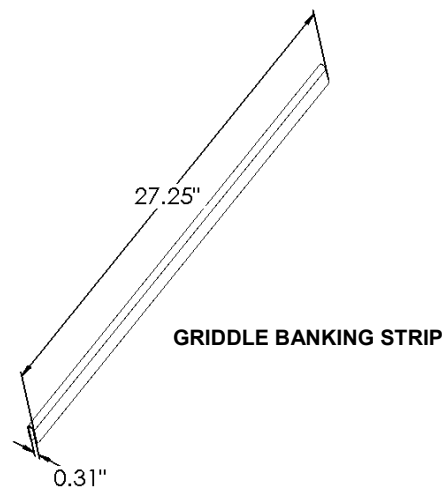
ACCESSORIES: AGM AND ASA LOW PROFILE HEAVY DUTY GAS GRIDDLES



CUTTING BOARD



CONDIMENT RAIL



GRIDDLE BANKING STRIP

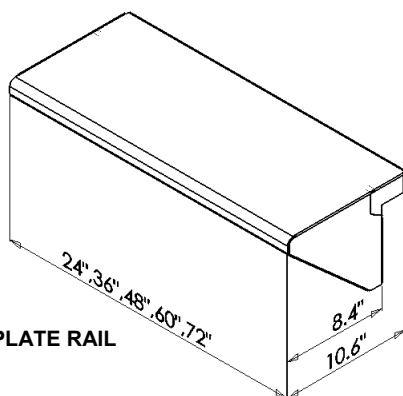
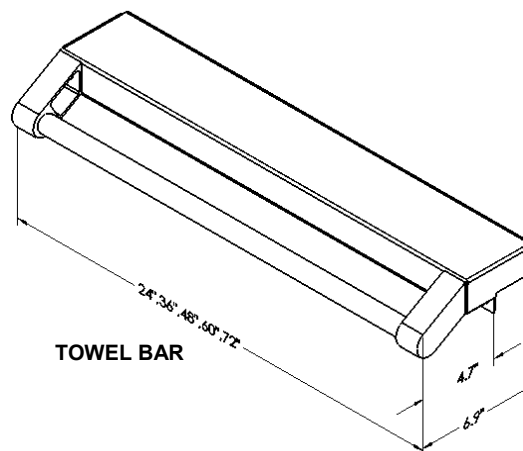


PLATE RAIL



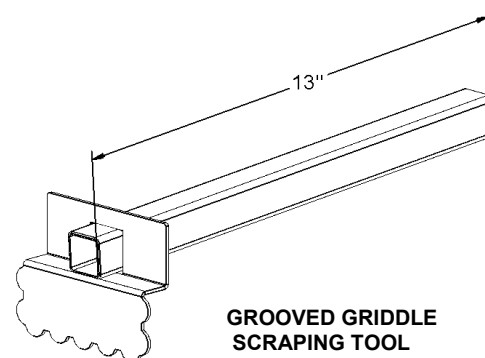
TOWEL BAR

SIZE	ACCESSORY CODES			
	CUTTING BOARD	CONDIMENT RAIL	PLATE RAIL	TOWEL BAR
24	CUTBD-24	CONRAIL-24	PLTRAIL-24	TOWELBR-24
36	CUTBD-36	CONRAIL-36	PLTRAIL-36	TOWELBR-36
48	CUTBD-48*	CONRAIL-48	PLTRAIL-48	TOWELBR-48
60	CUTBD-60*	CONRAIL-60	PLTRAIL-60	TOWELBR-60
72	CUTBD-72*	CONRAIL-72	PLTRAIL-72	TOWELBR-72

*Two section board

*Two section board

DESCRIPTION	ACCESSORY CODE
Flex gas hose for gas griddles (3/4" x 4 ft.)	3/4QDH-4FT
Wire knob guard (order one per thermostat)	WGUARD-KNOB
4" legs, flanged foot, 1.75" adjust, cook height 11.38"-13.13", Qty (4)	LEGS-GRD4F
6" legs, (5.63" nom.) 1.75" adjust, cook height 13.00"-14.75", Qty (4)	LEGS-GRD6
8" legs, 1.75" adjust, cook height 15.38"-17.13", Qty (4)	LEGS-GRD8
10" legs, 1.75" adjust, cook height 17.38"-19.13", Qty (4)	LEGS-GRD10
12" legs, (11.25" nom.) 1.75" adjust, cook height 18.63"-20.38", Qty (4)	LEGS-GRD12
6" flanged leg Qty (4)	LEGS-6FLG
Griddle banking strip (connects side splashes of two units)	BANKING-STRIP
Grooved griddle scraping tool	SCRAPER-GROOVE



GROOVED GRIDDLE SCRAPING TOOL

NOTE: In line with its policy to continually improve its product, Wolf Range Company reserves the right to change materials and specifications without notice.

This appliance is manufactured for commercial use only and is not intended for home use.