

GRIDDLES & BROILERS**VULCAN****ACCESSORIES**
MSA AND 900RX HEAVY DUTY GAS GRIDDLES**PLATE RAIL MOUNTED ON MSA24 GRIDDLE****CUTTING BOARD****CONDIMENT RAIL**
Containers not included

- CUTTING BOARD
- CONDIMENT RAIL
- PLATE RAIL
- BANKING STRIP

STANDARD FEATURES

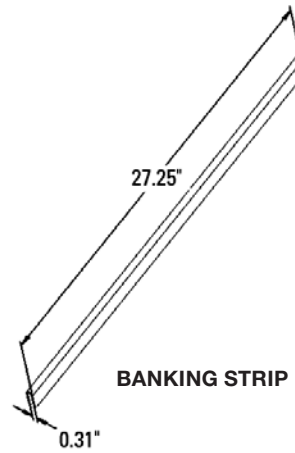
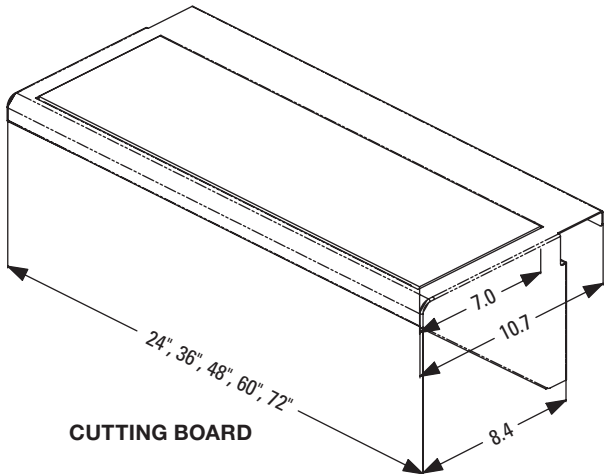
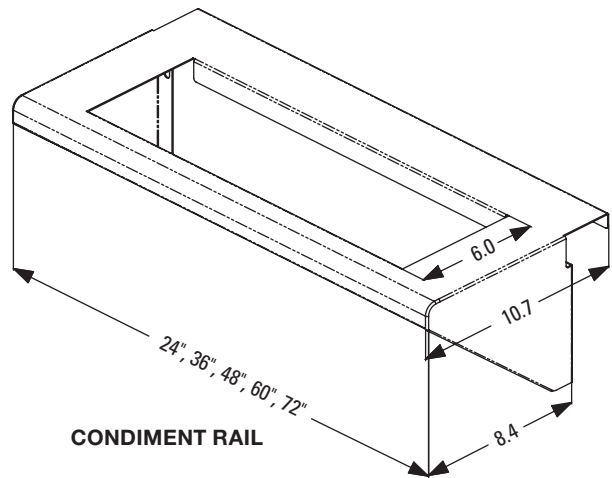
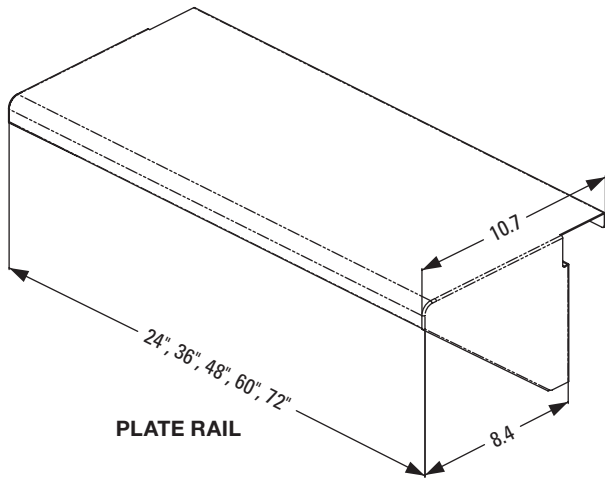
- Stainless steel construction.
- Welded and smooth blended edges.
- Line matched to VACB charbroiler and VHP hotplate accessories.
- Cutting board accessory features stainless steel frame with removable board inserts. Inserts are 1" thick x 7" wide, Sani-TUFF® rubber NSF listed boards.
- Condiment rails will accommodate up to the following amounts of 1/6 size containers:
 - 24" model – 3
 - 36" model – 4
 - 48" model – 6
 - 60" model – 8
 - 72" model – 9
- Plate rails feature a full 10⁵/₈" deep stainless steel shelf.
- Banking strip connects like side splashes together.
- One year limited parts and labor warranty.

SPECIFY GRIDDLE SIZE WHEN ORDERING.**VULCAN***a division of ITW Food Equipment Group LLC*

P.O. Box 696 ■ Louisville, KY 40201 ■ Toll-free: 1-800-814-2028 ■ Local: 502-778-2791 ■ Quote & Order Fax: 1-800-444-0602



ACCESSORIES
MSA AND 900RX HEAVY DUTY GAS GRIDDLES



| SIZE | ACCESSORY CODES | | |
|------|-----------------|----------------|------------|
| | CUTTING BOARD | CONDIMENT RAIL | PLATE RAIL |
| 24 | CUTBD-24 | CONRAIL-24 | PLTRAIL-24 |
| 36 | CUTBD-36 | CONRAIL-36 | PLTRAIL-36 |
| 48 | CUTBD-48* | CONRAIL-48 | PLTRAIL-48 |
| 60 | CUTBD-60* | CONRAIL-60 | PLTRAIL-60 |
| 72 | CUTBD-72* | CONRAIL-72 | PLTRAIL-72 |

*Two section board

| DESCRIPTION | ACCESSORY CODE |
|---|----------------|
| Flex gas hose for gas griddles (3/4" x 4 ft.) | 3/4QDH-4FT |
| Transformer 220 V to 120 V | TRANSF-900RE |
| Griddle banking strip (connects side splashes of two units) | BANKING-STRIP |



a division of ITW Food Equipment Group LLC

P.O. Box 696 ■ Louisville, KY 40201 ■ Toll-free: 1-800-814-2028 ■ Local: 502-778-2791 ■ Quote & Order Fax: 1-800-444-0602