



SSS STATIONARY STAND

JOB NAME: _____
 ITEM NO.: _____
 NO. REQUIRED: _____

MODEL: SSS Stationary Stand with Work Shelf and Tray 92-1014

DESCRIPTION:

Stand is constructed of stainless steel with all welded construction. The stand is 30" high and comes assembled. The top is fitted with four (4) foot clips for placement for a 4- or 6-pan steamer. Foot clips position the steamer and keep the steamer from moving on the top of the stand.

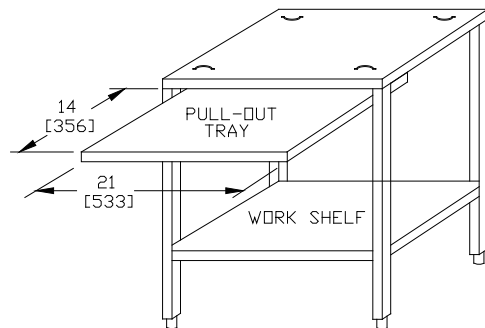
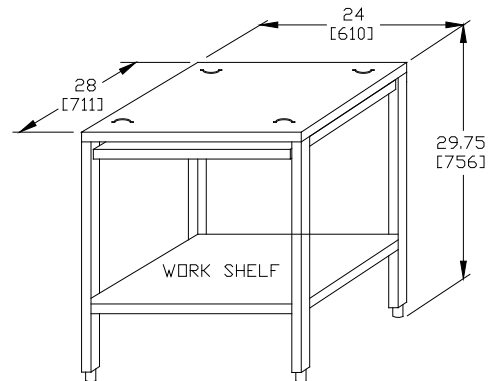
Stand is equipped with a pull-out shelf with a built-in stop to provide a fourteen (14) inch deep work surface at the front of the steamer. The stop is designed as a lever to easily remove the shelf for sink cleaning. Shelf can move in a stainless steel U bracket with neoprene glides. A welded stainless steel shelf is provided at the base of the stand for storage. Stand can accommodate a pan rack assembly that holds ten 2" pans.

OPTIONAL AT EXTRA COST:

- Pan Rack (PRM) Holds (10) 2" Removable Pans (for 92-1014 & 92-1012 stands only)

CHARACTERISTICS: 92-1014

Overall Width	24" (610mm)
Overall Depth	28" (711mm)
Overall Height + Legs	30" (762mm)
No. of Shelves	1
Shelf Area (Square Feet)	2.05
No. of 2" Pans (PRM 92-1013)	Holds 10



The manufacturer reserves the right to modify materials and specifications without notice.

It is our policy to build equipment which is design certified by U.L., C.S.A. and N.S.F. However, a continuing program of product improvement makes it necessary to submit new models to the agencies as they are developed and consequently not all models bear the appropriate agency labels at all times.

SPEC SHEET: S-6078A
01/11

FOOD SERVICE EQUIPMENT
Stationary Stand with Work Shelf & Tray



MARKET FORGE
INDUSTRIES INC.

PRINTED IN U. S. A.

35 Garvey Street • Everett • MA • 02149-4403
 Tel: (617) 387-4100 • Toll Free: (866) 698-3188
 Fax: (617) 387-4456 (MA and Overseas) • Fax: (800) 227-2659 (Ex. MA)
 E-mail: custserv@mfii.com • www.mfii.com