



STATIONARY/MOBILE STAND

JOB NAME: _____
 ITEM NO.: _____
 NO. REQUIRED: _____



Stationary



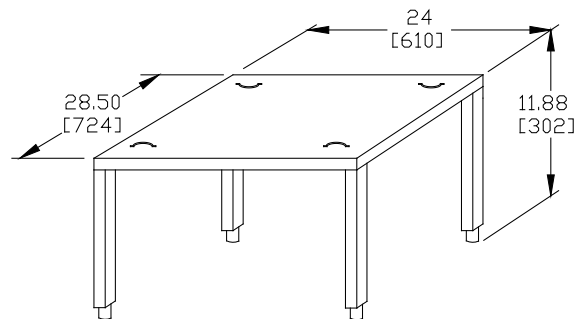
Mobile

- MODELS:**
- STSS Stationary 92-1015
 - STSM Mobile 92-1015

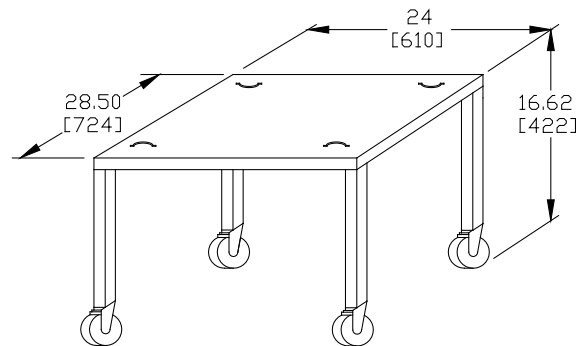
DESCRIPTION:

12" Stand is constructed of stainless steel with all welded construction. The stand can be supplied with adjustable feet (92-1015 STSS) or with swivel casters, two with brakes (92-1015 STSM). Unit shall be used for 6- and 8-pan steamers.

Unit comes assembled. Top is fitted with four (4) foot clips for placement of Altair II, Sirius II or Capella steamer. Foot clips position the steamer and keep the steamer from moving on the top of the stand. Standard features include, rigid all stainless steel construction, welded construction, shipped assembled, and foot clips on top surface for unit placement.



<STSS> STATIONARY STAND



<STSM> MOBILE STAND

CHARACTERISTICS:

92-1015

Overall Width	24" (610mm)
Overall Depth	28.5" (724mm)
Overall Height + Legs	12" (305mm)

The manufacturer reserves the right to modify materials and specifications without notice.

It is our policy to build equipment which is design certified by U.L., C.S.A. and N.S.F. However, a continuing program of product improvement makes it necessary to submit new models to the agencies as they are developed and consequently not all models bear the appropriate agency labels at all times.

SPEC SHEET: S-6079A
01/11

FOOD SERVICE EQUIPMENT
Stationary/Mobile Stand



PRINTED IN U. S. A.

35 Garvey Street • Everett • MA • 02149-4403
 Tel: (617) 387-4100 • Toll Free: (866) 698-3188
 Fax: (617) 387-4456 (MA and Overseas) • Fax: (800) 227-2659 (Ex. MA)
 E-mail: custserv@mfi.com • www.mfi.com