

E**20 GAL. ELECTRIC, SELF CONTAINED,
FLOOR MODEL, TILTING KETTLES**

JOB NAME: _____

ITEM NO.: _____

NO. REQUIRED: _____

MODELS

- FT-20CE - 20 gallon (76 liter), tilting electric kettle

DESCRIPTION

Shall be a Market Forge Model FT-20CE Self-Contained, Electric Steam Jacketed Tilting Kettle (Floor Model). A double wall kettle interior shall form a steam jacket around the lower 2/3 of the kettle. The jacket enclosure shall contain water and anti-freeze which is factory sealed. The bottom of the kettle shall be of hemispherical design for superior heat circulation.

The mounting base shall include 4 stainless steel tubular legs fitted with a 4 hole adjustable foot for securing the unit to the floor and a stainless steel clad mechanism housing.

A removable operating handle with heat proof knob and tilt lock shall be mounted on the right.

Construction shall be all welded satin finish, stainless steel, type 304.

The controls shall be integrally mounted and shall include a power switch, thermostat, pilot light, vacuum/pressure gauge, safety valve, low water light, and low water shut off.

The kettle shall operate in a temperature range of 100°F to 290°F (38°C to 144°C) at a maximum pressure of 50 psi (3.4 kg/cm²). All kettles shall be standard with removable elements.

OPERATION SHALL BE BY:

Electrically Self-Contained closed Steam System equipped for operation on:

- 208 VAC, 1 or 3 Phase, 50/60 Hz.
- 230 VAC, 1 or 3 Phase, 50/60 Hz.
- 240 VAC, 1 or 3 Phase, 50/60 Hz.

SHIPPING WEIGHT

- 225 lbs (102 kg)

**OPTIONS & ACCESSORIES**

(at additional charge)

■ **Pantry Faucets**

- 12" Single Pantry Faucet, (brackets included)
- 12" Double Pantry Faucet, (brackets included)

■ **Increased Voltages**

- 220/380, 240/415 VAC, 3 Phase, 4 wire
- 380, 415 or 480 VAC, 3 Phase 50/60 Hz
- One piece Lift-Off stainless steel cover
- Strainer for Draw-Off valve
- Drain Cup with 8' Hose for 2" Draw-Off valve
- Strainer Hook
- Graduated Measuring Stick
- Stainless steel wire basket
- Vegetable Strainer

FOOD SERVICE EQUIPMENT
 Countertop Tilting Kettle
**MARKET FORGE**Tel: (802) 658-6600 • Fax: (802) 864-0183 • www.marketforge.com

E**20 GAL. ELECTRIC, SELF CONTAINED,
COUNTERTOP, TILTING KETTLES**

DETAILS & DIMENSIONS

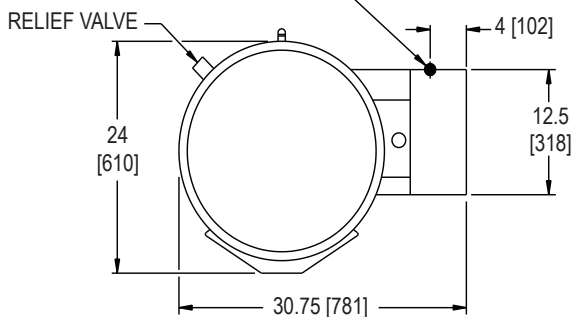
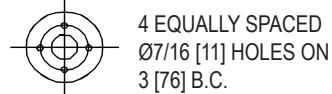
ELECTRICAL CHARACTERISTICS

MODEL	pH	208V		230V		240V		380V		415V		480V	
		kW	Amp	kW	Amp	kW	Amp	kW	Amp	kW	Amp	kW	Amp
FT-20CE	1	12	33.4	12	30.1	12	28.9	12	18.3	12	16.7	12	14.5
	3	12	57.6	12	52.2	12	50.0	-	-	-	-	-	-

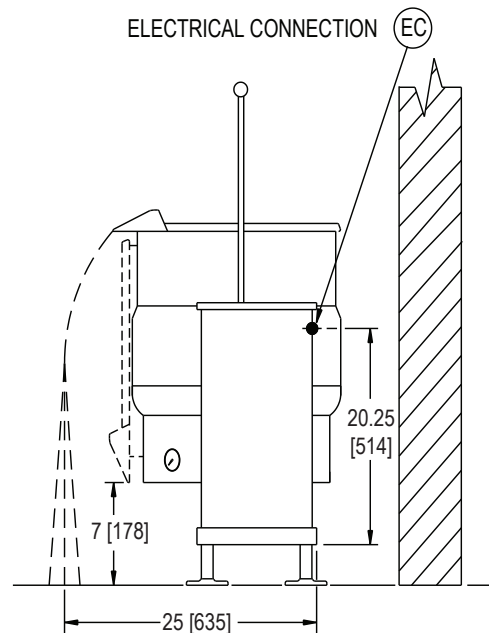
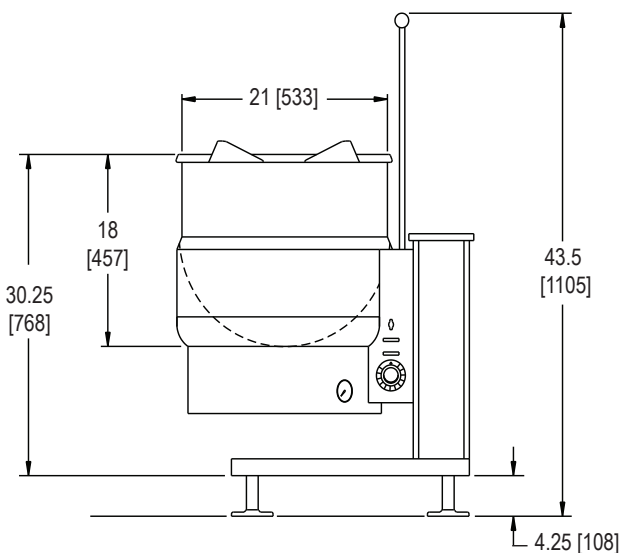
SERVICE CONNECTIONS

EC	Electrical Connection - to be as specified on data plate.
-----------	--

ELECTRICAL CONNECTION (EC)

**FLANGED FOOT DETAIL**

ELECTRICAL CONNECTION (EC)



The manufacturer reserves the right to modify materials and specifications without notice.

FOOD SERVICE EQUIPMENT
Countertop Tilting KettlePRINTED IN U. S. A.
SPEC SHEET: 14-0187 Rev B (12/15)**MARKET FORGE**Tel: (802) 658-6600 • Fax: (802) 864-0183 • www.marketforge.com