

E**ELECTRIC COUNTER
TILTING ROUND SKILLET**JOB NAME: _____
ITEM NO.: _____
NO. REQUIRED: _____R-1600E Shown with
optional Stainless Steel Stand with Drain**MODEL:** R-1600E
SIZE: 16 Gallons (60 Liters)**DESCRIPTION:** Shall be a Market Forged Model R-1600E Electrically heated Counter Tilting Round Skillet. The skillet shall have one piece coved corner, 10 gauge stainless steel pan with satin finish exterior and polished interior. The pan sides shall slope outward to facilitate access to the cooking surface. Cooking surface shall be 3/8" 10mm thick stainless clad plate, fitted with clamped on 7.5 KW electric heating elements, ensuring even heat distribution over entire cooking surface.

The skillet pan shall be mounted on side pivots to allow tilting for complete removal of contents by means of a tilting handle with a heat proof knob. The skillet can be mounted on an optional 30" wide stainless steel stand with a sliding drain pan.

The controls shall be integrally mounted on the stainless steel clad housing and shall include a power switch, thermostat, pilot light and high temperature cut-off.

The skillet operates in a temperature range of 160°F to 450°F (71°C to 232°C)

OPERATION SHALL BE BY:

- Electrical heating elements equipped for operation on:
- 208 VAC, 1 or 3 Phase, 50-60 Hz
 - 220 VAC, 1 or 3 Phase, 50-60 Hz
 - 240 VAC, 1 or 3 Phase, 50-60 Hz
 - 220/380, 240/415 VAC, 3 Phase, 4 Wire

OPTIONAL AT EXTRA COST:

- Double pantry faucet with swing spout.
- Single pantry faucet with swing spout.
- 380, 415 or 480 VAC, 3 Phase, 50/60 Hz
- Etched gallon or liter marking
- Pour Strainer
- Marine Lock
- Stand with sliding Drain Pan
- Lift Off Cover

The manufacturer reserves the right to modify materials and specifications without notice

Spec No. S-4872
08/03**FOOD SERVICE EQUIPMENT**
Round Skillet

Printed in U.S.A.

**MARKET FORGE**
INDUSTRIES INC.

An Employee Owned Company

35 Garvey Street • Everett • MA • 02149
Tel: (617) 387-4100 • Fax: 1-800-227-2659 (Ex. MA) • (617) 387-4456 (MA and Overseas)
E-Mail: CUSTSERV@mfii.com • Website: www.mfii.com

E

ELECTRIC COUNTER TILTING ROUND SKILLET

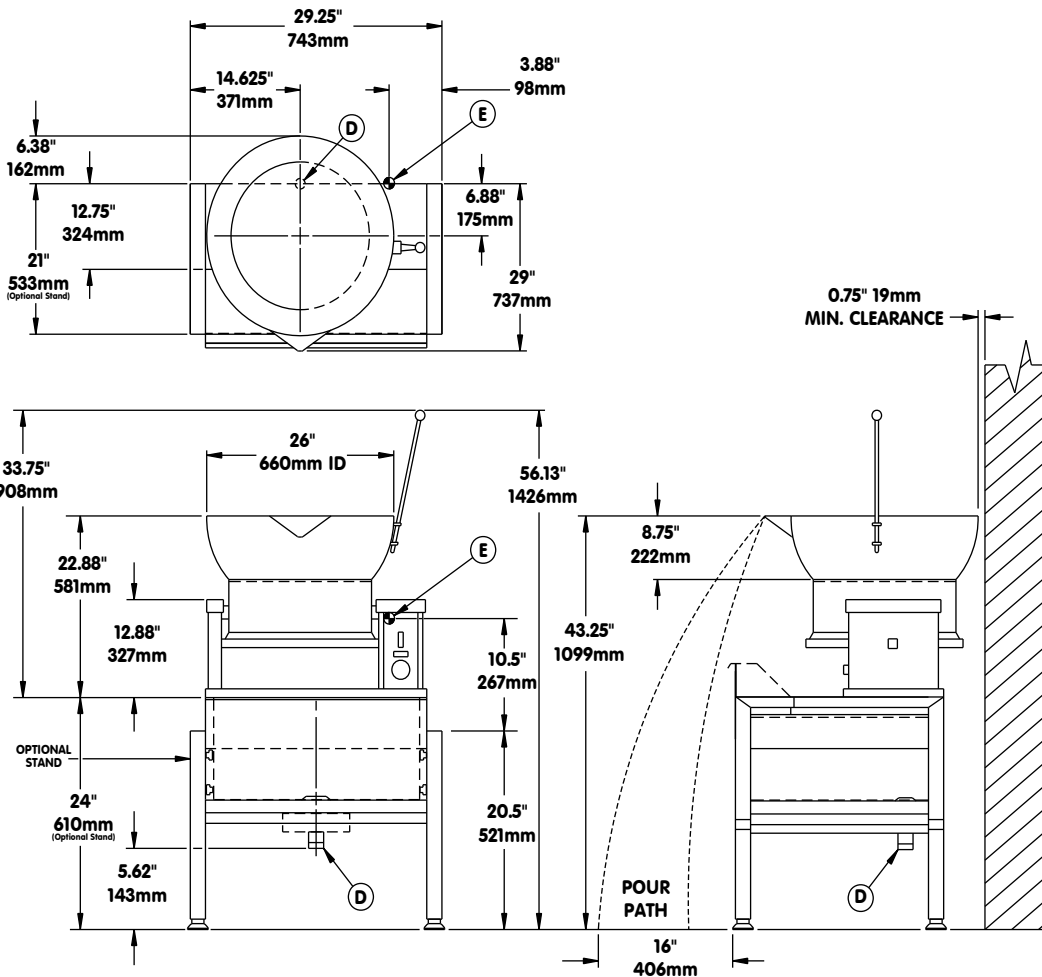
DETAILS & DIMENSION

SERVICE CONNECTIONS

Electrically Operated

E	Electrical Characteristics												
	208V	220V	240V	380V	415V	480V							
	KW	AMP	KW	AMP	KW	AMP	KW	AMP	KW	AMP	KW	AMP	Ph
	7.5	36.0	7.5	34.1	7.5	31.3							
	7.5	20.8	7.5	19.7	7.5	18.1	7.5	11.4	7.5	10.4	7.5	9.0	3

D Drain - 1 1/4" (32mm) O.D. tubing from tray pan.



*It is our policy to build equipment which is design certified by U.L., A.S.M.E., N.S.F. and C.S.A. However, a continuing program of product improvement makes it necessary to submit new models to the agencies as they are developed and consequently not all models bear the appropriate agency labels at all times.



MARKET FORGE
INDUSTRIES INC.

An Employee Owned Company



Printed in U.S.A.

35 Garvey Street • Everett • MA • 02149
Tel: (617) 387-4100 • Fax: 1-800-227-2659 (Ex. MA) • (617) 387-4456 (MA and Overseas)
E-Mail: CUSTSERV@mfii.com • Website: www.mfii.com