

**E****TURBO-STEAM ELECTRIC BOILERLESS  
COUNTERTOP CONVECTION STEAMER**

JOB NAME: \_\_\_\_\_

ITEM NO.: \_\_\_\_\_

NO. REQUIRED: \_\_\_\_\_

**MODELS**

- TS-3E - 3 pan electric boilerless countertop convection steamer
- TS-5E - 5 pan electric boilerless countertop convection steamer

**DESCRIPTION**

Unit shall be the Market Forge Turbo-Steam Electric Boilerless Countertop Convection Steamer. Unit shall be connectionless, no plumbing required. Unit shall be constructed of satin finish 304 stainless steel with a one piece welded 316 stainless steel cooking chamber with coved corners.

The door shall have a removable inner liner of stainless steel with full perimeter gasket seal, an outer liner of one-piece all welded stainless steel, and a positive lock and seal mechanism with spring release. The steamer shall have removable stainless steel pan supports and steam diffuser plate.

The control housing shall be constructed of stainless steel with a full access removable panel. The electromechanical controls shall include an illuminated on/off switch, a ready indicator light, cooking indicator light, 60-minute electric timer with constant steam and audible alarm that signals the end of the cook cycle, and a low water indicator light with audible alarm. A door interlock switch shall interrupt steam generation when the door is open and shall be reactivated when the door is closed. Unit shall be field configurable to single phase and also configures to 3 phase rating.

Standard features include 304 stainless steel exterior, 316 stainless steel cooking chamber with coved corners, heavy gauge stainless steel door with full perimeter gasket, positive lock and seal mechanism with spring release door, 60-minute timer, illuminated on/off power switch, ready indicator light, cooking indicator light, add water indicator light with audible alarm, 4" legs, removable stainless steel pan supports, removable steam diffuser plate helps prevent objects from falling into water reservoir, and selectable timed or continuous cooking mode. Drain kit is standard.

**TECHNICAL SPECIFICATIONS**

- Electrically heated, boilerless steam generator rated at:
  - 9 kW for Model TS-3E
  - 15 kW for Model TS-5E
- The steam generator shall be equipped for operation on:
  - 208 VAC, 1 or 3 phase, 50/60 Hz
  - 220 VAC, 1 or 3 phase, 50/60 Hz
  - 240 VAC, 1 or 3 phase, 50/60 Hz
  - Additional optional voltages available

**SHIPPING WEIGHT**

- TS-3E 116 lbs (73kg)
- TS-5E 183 lbs (83kg)



TS-5E Shown on 4" Legs

**CAPACITIES**

TS-3E	TS-5E
(6) 12" x 20" x 1" pans	(10) 12" x 20" x 1" pans
(3) 12" x 20" x 2-1/2" pans	(5) 12" x 20" x 2-1/2" pans
(2) 12" x 20" x 4" pans	(3) 12" x 20" x 4" pans
(1) 12" x 20" x 6" pan	(2) 12" x 20" x 6" pans

**OPTIONS & ACCESSORIES**

(at additional charge)

- **Pans & Covers**
  - 12" x 20" pan cover
  - 12" x 20" x 1" solid pan
  - 12" x 20" x 1" perforated pan
  - 12" x 20" x 2-1/2" solid pan
  - 12" x 20" x 2-1/2" perforated pan
  - 12" x 20" x 4" solid pan
  - 12" x 20" x 4" perforated pan
  - 12" x 20" x 6" solid pan
  - 12" x 20" x 6" perforated pan
- **Voltage Options**
  - 380 VAC, 3 phase, 50/60Hz
  - 415 VAC, 3 phase, 50/60Hz
  - 480 VAC, 3 phase, 50/60Hz
  - 600 VAC, 3 phase, 50/60Hz (TS-3E Only)
- **Stainless Steel Stands**
  - 18" (457mm) tall stand with interconnect for stacking
  - 28" (711mm) tall stand for single units
- Prison package, includes lockable stainless steel hinged control cover, tamper proof screws, (4) 4" adjustable flanged feet
- Interconnecting stacking kit

**FOOD SERVICE EQUIPMENT**  
Electric Countertop Steamer

**MARKET FORGE**  
INDUSTRIES INC.


# E

## TURBO-STEAM ELECTRIC BOILERLESS COUNTERTOP CONVECTION STEAMER

DETAILS & DIMENSIONS

### ELECTRICAL CHARACTERISTICS

Volts AC	TS-3E (9kW)				TS-5E (15kW)			
	1 PH 9kW	1 PH 6kW	3 PH 9kW	3 PH 6kW	1 PH 15kW	1 PH 10kW	3 PH 15kW	3 PH 10kW
208	43.3	28.9	25.0	--	72.1	48.1	41.6	--
220	40.9	27.3	23.6	--	68.2	45.5	39.4	--
240	37.5	25.0	21.7	--	62.5	41.7	36.0	--
380	--	--	13.7	--	--	--	22.8	--
415	--	--	12.5	--	--	--	20.9	--
480	--	--	10.8	--	--	--	18.0	--
600	--	--	8.7	--	--	--	14.4	--

### SERVICE CONNECTIONS

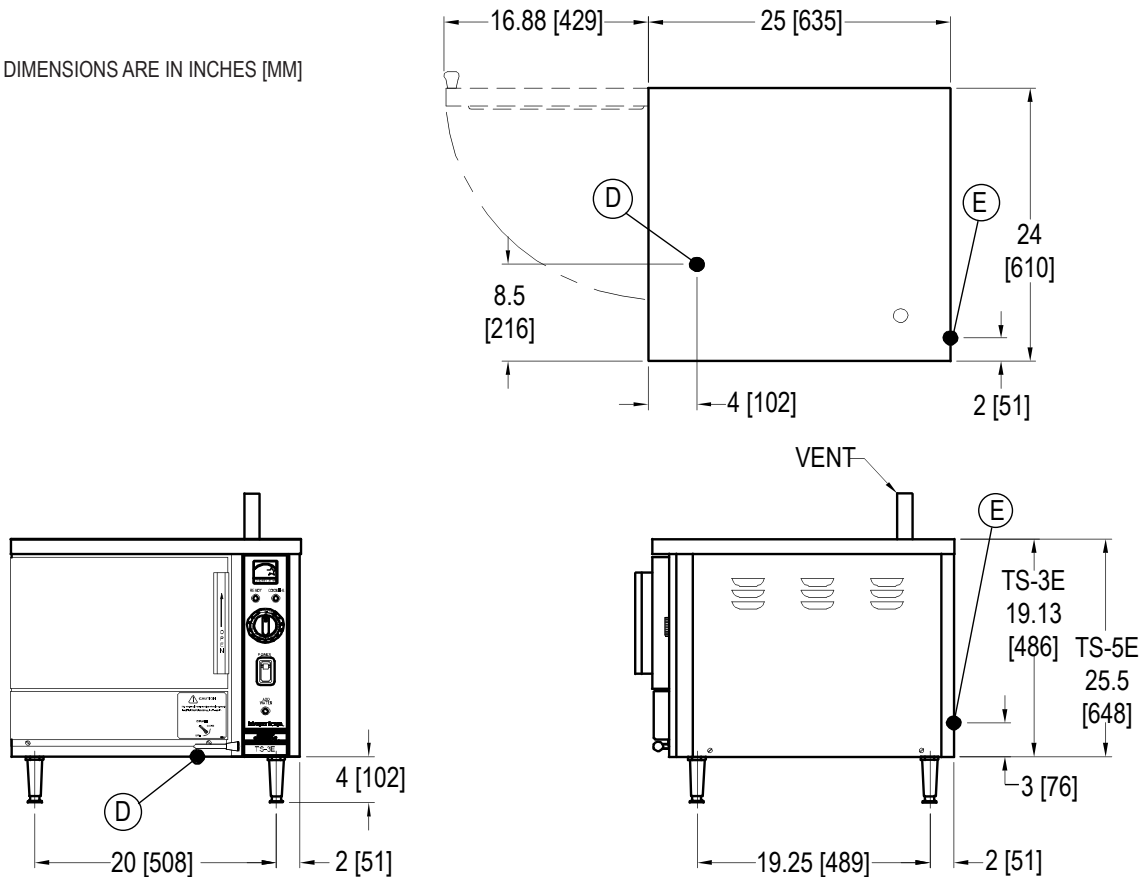
E	Electrical Connection - Ø 1-1/8" hole for electrical connection. Rating to be as specified on data plate.
D	Drain Connection - 1/2" NPT

### INSTALLATION CLEARANCE

Left Side	Right Side	Rear
0" (0mm)	0" (0mm)	3" (76mm)

FOOD SERVICE EQUIPMENT  
Electric Countertop Steamer

DIMENSIONS ARE IN INCHES [MM]



The manufacturer reserves the right to modify materials and specifications without notice.