

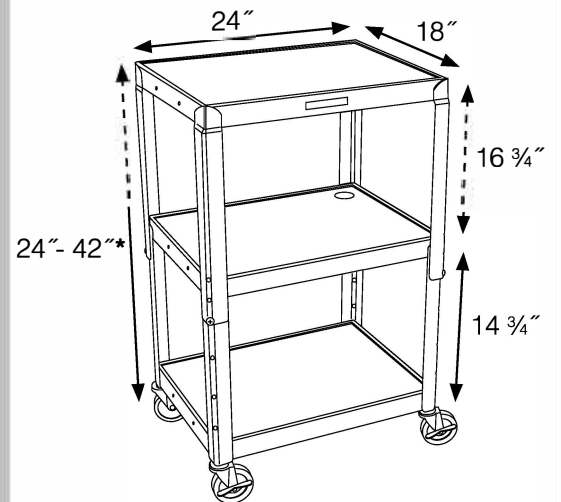


24"W x 18"D Adjustable Height Metal Cart



- Roll formed shelves with powder coat paint finish
- Cable pass through holes
- 3-outlet 15' UL and CSA listed electric
- 1/4" retaining lip around each shelf
- Includes safety mat for top shelf

Measurements:



* - in 2" increments

Available Colors:



Color
Options:

Black

Red
RD

Blue
RB

Yellow
YW

Green
GN

Navy
Z