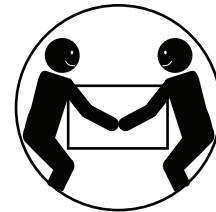
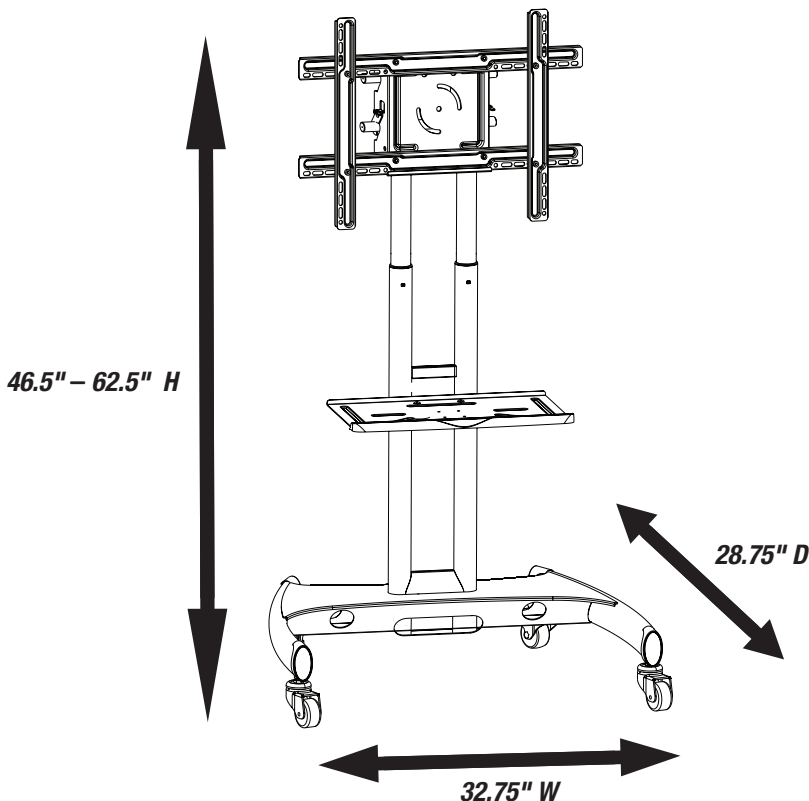


# FP2500 - HEIGHT ADJUSTABLE TV STAND MOUNT WITH SHELF

**Product Specifications:**

Item Number	FP2500
Frame Material	Steel
Dimensions	32.75" W x 28.75" D x 46.5" – 62.5" H
Shelf Dimensions	19.625" W x 12.5" D
Shelf Capacity	25 lbs.
TV Size	40" – 60"
VESA	200 x 200 mm – 400 x 600 mm
Weight	64.82 lbs.
Height Adjustment Increments	2"
Height Adjustment Mechanism	Push Buttons
Cable Management	Internal
Casters (4)	2" nylon casters; all with locking brakes
Mount Weight Capacity	100 lbs.
Shipping Method	Freight
Shipping Dims	37" W x 36" D x 5" H
Shipping Weight	65 lbs.
Assembly Required	Yes



**Heavy Lifting:  
Assistance  
Required**

To Order, Call Your  
Sales Representative  
or 800-323-4656