



### ARRB-36 & AERB-36

Shown in 4" adjustable legs (optional)

Hand polished stainless steel finish

#### ARRB STANDARD FEATURES

- Heavy duty radiants for optimum heat distribution.
- Radiants are individually removable for easy cleaning.
- Heavy duty cast top grates are angled to control flare-up.
- 14 Gauge all welded heavy duty reinforced firebox.
- Stainless Steel polished front and trim for easy cleaning, with fully insulated double layered steel chassis.
- Full length grease trough drains the run off into a removable pan for easy cleaning.
- Individually controlled Stainless Steel 15,000 BTU/hr. burners placed every 6", providing maximum output, flexibility and low maintenance.
- Manual gas control valve for each burner allows use of select burners.
- One year limited warranty, parts and labor.

#### ARRB AND AERB OPTIONAL FEATURES

- 4" (102mm) adjustable legs.
- 4 bar fish grates.
- Equipment stand.

#### AERB STANDARD FEATURES

- Heavy duty radiants for optimum heat distribution.
- Radiants are individually removable for easy cleaning.
- Heavy duty cast top grates are angled to control flare-up.
- Stainless Steel polished front and trim for easy cleaning, with fully insulated double layered steel chassis.
- Grease runners direct runoff to front trough.
- Individually controlled Stainless Steel 15,000 BTU/hr. burners placed every 6", providing maximum output, flexibility and low maintenance.
- Manual gas control valve for each burner allows use of select burners.
- One year limited warranty, parts and labor.



enhanced smoke flavors.

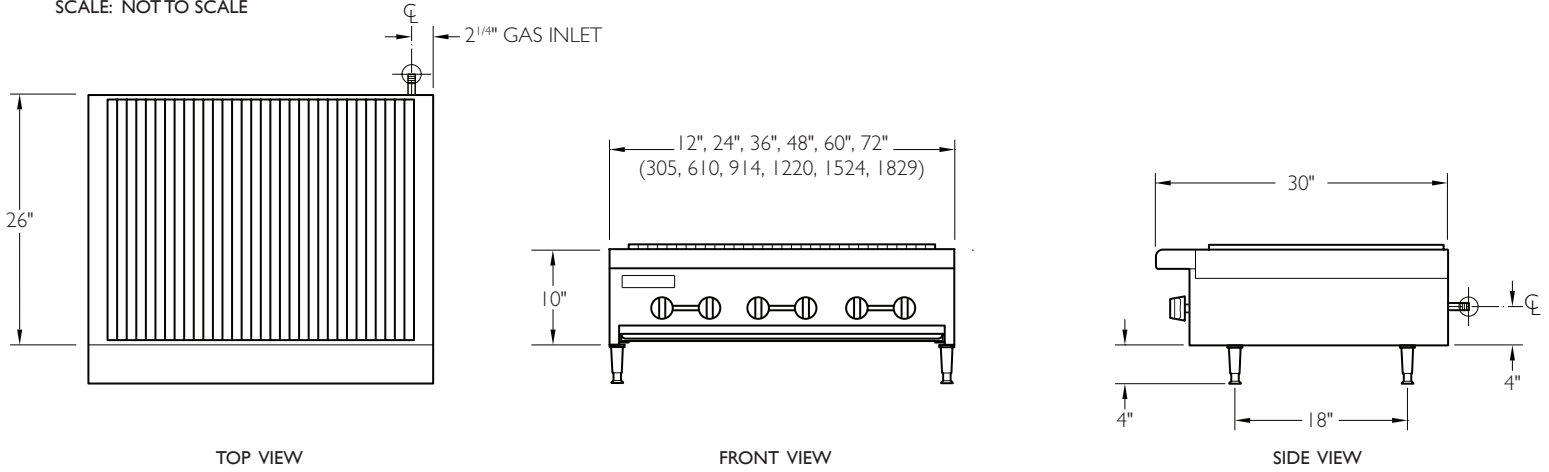
The American Range ARRB Heavy Duty and Economy Radiant Char Broilers are designed to provide reliable performance under tough commercial kitchen operating conditions. The Radiant Char Broiler design directs juices evolved during the cooking process downward onto the radiants, resulting in searing flames and

The list of innovative design features continues – from heavy duty, cast iron top grates pitched with a cast-in grease trough in each section to minimize flare up, individually controlled 15,000 BTU burners positioned every six inches for complete coverage of the large cooking area - to flexible front panel burner control.

All our quality countertop appliances come standard with a stainless steel exterior and the best warranty in the business. Look to American Range for innovation, reliable performance, quality and attention to your commercial cooking equipment needs now and in the future.

HEAVY DUTY AND ECONOMY RADIANT CHAR BROILERS

SCALE: NOT TO SCALE



**ARRB HEAVY DUTY RADIANT BROILERS**

| Model   | Width | Depth | Height | Burners | Total BTU | KW | Shipping Weight | Lbs. | (Kg.) | Model  | Lbs. | (Kg.) |
|---------|-------|-------|--------|---------|-----------|----|-----------------|------|-------|--------|------|-------|
| ARRB-12 | 12"   | 30"   | 10"    | 2       | 30,000    | 9  |                 | 120  | 55    | ESS-12 | 35   | (15)  |
| ARRB-24 | 24"   | 30"   | 10"    | 4       | 60,000    | 18 |                 | 210  | 95    | ESS-24 | 47   | (21)  |
| ARRB-30 | 30"   | 30"   | 10"    | 5       | 75,000    | 22 |                 | 250  | 114   | ESS-36 | 54   | (25)  |
| ARRB-36 | 36"   | 30"   | 10"    | 6       | 90,000    | 26 |                 | 285  | 130   | ESS-36 | 54   | (25)  |
| ARRB-48 | 48"   | 30"   | 10"    | 8       | 120,000   | 35 |                 | 363  | 165   | ESS-48 | 72   | (33)  |
| ARRB-60 | 60"   | 30"   | 10"    | 10      | 150,000   | 44 |                 | 400  | 182   | ESS-60 | 99   | (45)  |
| ARRB-72 | 72"   | 30"   | 10"    | 12      | 180,000   | 53 |                 | 560  | 255   | ESS-74 | 115  | (52)  |

**AERB ECONOMY RADIANT CHAR BROILER**

| Model   | Width | Depth | Height | Burners | Total BTU | KW | Shipping Weight | Lbs. | Kg. | Model  | Lbs. | (Kg.) |
|---------|-------|-------|--------|---------|-----------|----|-----------------|------|-----|--------|------|-------|
| AERB-12 | 12"   | 30"   | 10"    | 2       | 30,000    | 8  |                 | 100  | 45  | ESS-12 | 35   | (15)  |
| AERB-16 | 16"   | 30"   | 10"    | 2       | 30,000    | 8  |                 | 127  | 58  | ESS-17 | 50   | (23)  |
| AERB-24 | 24"   | 30"   | 10"    | 4       | 60,000    | 17 |                 | 193  | 88  | ESS-24 | 47   | (21)  |
| AERB-30 | 30"   | 30"   | 10"    | 5       | 75,000    | 21 |                 | 240  | 110 | ESS-36 | 54   | (25)  |
| AERB-36 | 36"   | 30"   | 10"    | 6       | 90,000    | 26 |                 | 272  | 124 | ESS-36 | 54   | (25)  |
| AERB-48 | 48"   | 30"   | 10"    | 8       | 120,000   | 35 |                 | 355  | 161 | ESS-48 | 72   | (33)  |
| AERB-60 | 60"   | 30"   | 10"    | 10      | 150,000   | 44 |                 | 380  | 173 | ESS-60 | 99   | (45)  |
| AERB-72 | 72"   | 30"   | 10"    | 12      | 180,000   | 52 |                 | 534  | 243 | ESS-74 | 115  | (52)  |

**STANDARD FEATURES**

- Individually controlled Stainless Steel straight burners. 15,000 BTU/hr. spaced every 6" (152 mm).
- Optimum heat distribution with heavy duty angled radiants, removable for easy cleaning.
- Angled radiants control flare-up while still imparting the char-broiled flavor.
- Heavy duty cast iron top grates, 3" (76 mm) x 22" (559 mm) reversible, with grease runners to direct the run off to the grease trough.

- Full width grease pan, removable for easy cleaning.
- 14 ga. all welded heavy duty reinforced fire box (on ARRB only).
- One year limited warranty, parts and labor.

**OPTIONAL FEATURE**

- 4" (102 mm) adjustable legs.
- 4 bar fish grates.
- Equipment stand.

**GAS SUPPLY:** 3/4" NPT Gas inlet 7" to 9" W.C., Manifold pressure is 5.0" W.C. for natural gas, or 11" - 12" Manifold pressure is 10.0" W.C. for propane gas. Specify type of gas and altitude if over 2000 feet.

**CLEARANCES:** For use only on non-combustible floors. Legs or casters are required, or 2" (51 mm) overhang is required when curb mounted. Clearance from non-combustible walls is 0". Non-combustible locations only.

\*The American Range Company continually improves its products and reserves the right to change materials, specifications and dimensions without notice. This unit is manufactured for commercial use only.