



# DIRECT STEAM 2/3 JACKETED KETTLE STATIONARY OR TILTING



**SPECIFICATIONS:**

Shall be a Southbend Model \_\_\_\_\_, steam jacketed kettle models DMT, tilting type, or DMS, stationary type. Kettle shall be mounted in enclosed cabinet base and 30 and 40 gallon models' interior shall be 316 stainless steel for high acid content products. A double wall kettle interior shall form a steam jacket around the lower 2/3 of the kettle. The bottom of the kettle shall be of hemispherical design for superior heat circulation.

A steam control valve and hot and cold water, deck mount fill faucet shall be mounted on the stainless steel counter top. Kettle shall be equipped with 2" (50 mm) sanitary draw off with perforated strainer is enclosed in the cabinet for sanitary purposes. Steam trap and a safety relief valve are standard. Swing drain for draw-off valve shall be removable without tools and shall be equipped with removable strainer. DMS-60 & DMT models shall include a one piece stainless steel spring assist cover. DMS 30 and 40 include a stainless steel yoke type hinged cover.

Cabinet base shall be of modular design to match other Southbend cooking equipment as required and shall be equipped with 6" (152 mm) stainless steel legs with adjustable bullet feet in the front and flange feet in the rear for securing to the floor. All stainless steel exterior, # 4 finish, with removable side panels and doors with magnetic latches.

DMT models shall be equipped with a 1/2 H.P. hydraulic system for tilting which allows complete emptying of contents. Tilting may be stopped at any time without kettle tilting back. A standard pan support shall hold one 12" x 20" x 2-1/2" pan (305 mm x 508 mm x 64 mm), keeping the pan in a horizontal position throughout the tilting operation and shall be removable without tools.

The unit shall be ASME Code stamped and National Board Registered and NSF Certified. DMT models shall also be c-CSA-us certified.

MODEL	CAPACITY	
DMT-30	(Tilting Type) 30 Gal.	114 Liter
DMT-40	(Tilting Type) 40 Gal.	152 Liter
DMT-60	(Tilting Type) 60 Gal.	228 Liter
DMS-30	(Stationary) 30 Gal.	114 Liter
DMS-40	(Stationary) 40 Gal.	152 Liter
DMS-60	(Stationary) 60 Gal.	228 Liter

**OPERATION SHALL BE BY:**

Direct steam at a minimum of 5 psi (34 kPa) and a maximum of 30 psi (207 kPa).

DMT models equipped for operation on 115 VAC, 1 phase, 60 Hz.

**STANDARD FEATURES:**

- 316 Stainless steel liner on 30 & 40 gallon models
- Stainless steel cabinet
- Adjustable hold down feet
- One piece cover
- 2" (51 mm) tangent draw off valve
- Steam control valve and steam trap
- Swing drain
- Hot and cold deck mount faucet
- Hydraulic tilt (DMT models)
- Pan carrier (DMT models)

**OPTIONAL ITEMS AT EXTRA COST:**

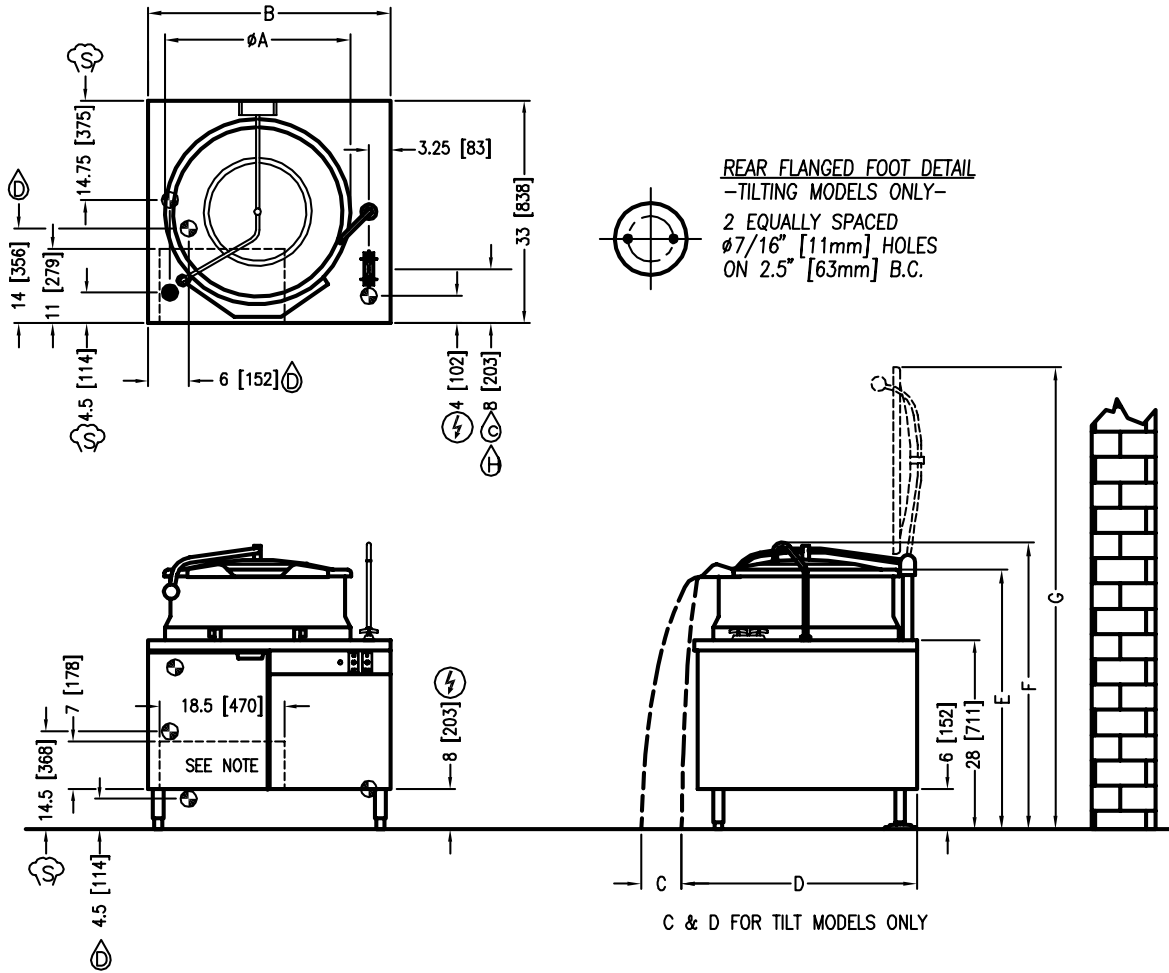
- Type 316 stainless steel liner on 60 gallon models.
- 50 PSI (345 kPa) for high temperature cooking
- Spring assist cover DMS 30 & 40
- 220 VAC, 1 phase, 50 Hz.
- Etched gallon markings (GM-)
- Etched litre markings (LM-)

**ACCESSORIES:**

- Graduated measuring strip (CMS-)
- Solid stainless steel disc for draw-off valve (TSS-)
- Strainer hook (SH-)
- Pour lip strainer (TKS-)
- Triple basket assembly (TBA-)

Job \_\_\_\_\_  
Item# \_\_\_\_\_





**SERVICE CONNECTIONS**

- COLD WATER: 3/8" O.D. tubing to faucet.
- HOT WATER: 3/8" O.D. tubing to faucet.
- DRAIN: 1-5/8" (41.275 mm) O.D. tubing piped to open floor drain. No solid connection.
- ELECTRICAL CONNECTION: (DMT models only) 1/2" conduit connection to controls. Unless otherwise specified, field wire electrical connection to be 120V, 60 Hz, single Phase, 10 Amps with grounding wire.
- STEAM SUPPLY: 3/4" (19 mm) IPS for incoming steam. MIN 5PSI (34kPa), MAX 35 PSI (241 kPa). Important: Pressure reducing valve required if incoming steam pressure exceeds the kettle rating.

**DIMENSIONS**

MODEL	SHIPPING WEIGHT	MINIMUM CLEARANCE	CAPACITY	UNITS	A	B	C	D	E	F	G
DMT-30	475 lbs. [215 kg]	SIDES	30 Gallons (114 liters)	inches (mm)	24" (610)	36" (914)	16" (406)	39" (991)	37.25" (946)	41.5" (1054)	65.25" (1657)
DMS-30	375 lbs. [170 kg]										
DMT-40	525 lbs. [238 kg]	BACK	40 Gallons (151 liters)	inches (mm)	26" (660)	36" (914)	15" (381)	40" (1016)	38.38" (975)	42.5" (1080)	68.25" (1733)
DMS-40	400 lbs. [181 kg]										
DMT-60	600 lbs. [272 kg]	0	60 Gallons (227 liters)	inches (mm)	29.5" (749)	42" (1067)	16" (406)	43" (1092)	41.12" (1045)	47.62" (1210)	74.25" (1886)
DMS-60	500 lbs. [227 kg]										

**INTENDED FOR COMMERCIAL USE ONLY.  
NOT FOR HOUSEHOLD USE.**



1100 Old Honeycutt Road, Fuquay-Varina, NC 27526  
(919) 762-1000 www.southbendnc.com