



GAS COUNTER TILTING ROUND SKILLET

Job _____
Item# _____



GCTRS-16 with optional stand and faucet

MODEL	CAPACITY		
	BTU	GALLON	LITER
GCTRS-16	30,000	16	60

OPERATION SHALL BE BY:

- Natural Gas
- Propane Gas

Gas fired, operating on 115 VAC, single phase, 50/60Hz, rated at 30,000 BTU.

OPTIONAL ITEMS AT EXTRA COST:

- 220 VAC, 1 phase, 50/60 Hz
- Etched gallon markings
- Etched liter markings
- Correctional Package
- Steam pan insert (SPI-16)
- One piece lift off stainless steel cover (SC-16)
- 30" wide, open leg base, stainless steel kettle stand with sliding drain drawer (KEDC-30SD)
- Single pantry faucet with 12" swing spout (SF-12)
- Double pantry faucet with 12" swing spout (DF-12)
- Single pantry faucet & bracket with 60" pot filler (SF-60)
- Double pantry faucet & bracket with 60" pot filler (DF-60)

SPECIFICATIONS:

Southbend gas fired, counter tilting skillet. The **GCTRS-16** is constructed of one piece covered corner, 10 gauge stainless steel with a #4 exterior finish and a polished interior. The pan sides slope outward to facilitate access to the cooking surface. Cooking surface shall be 3/8" thick stainless steel clad plate, fitted with clamped on electric heating elements, rated at 7.5 kW, for even heat transfer over entire cooking surface. Pan shall be fitted with side pivots mounted in sealed, stainless steel clad consoles mounted on a 10 gauge stainless steel base with #4 finish. Pan shall be fitted with a stainless steel tilt handle with heat resistant knob for tilting the pan forward for complete removal of contents.

Controls shall be integrally mounted and shall include a power switch, solid state thermostat, temperature pilot light, electronic ignition, ignition light, and high temperature cut-off. Burner turns off automatically when pan is tilted.

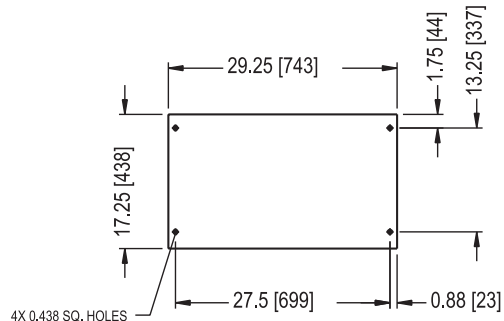
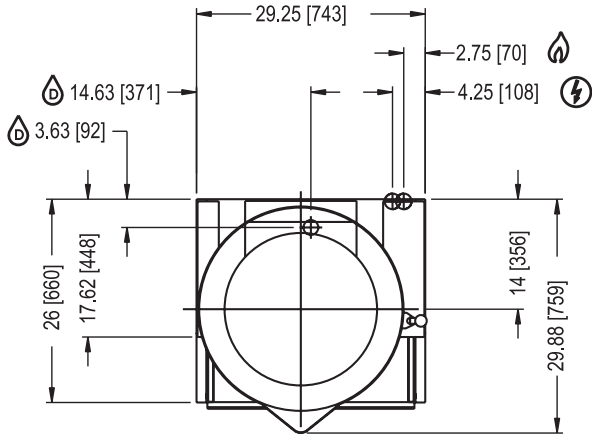
The skillet shall operate in a temperature range of 100°F to 450°F (38°C to 232°C)

The skillet can be mounted on a 30" (762 mm) wide stainless steel stand with sliding drain pan and stationary drain.

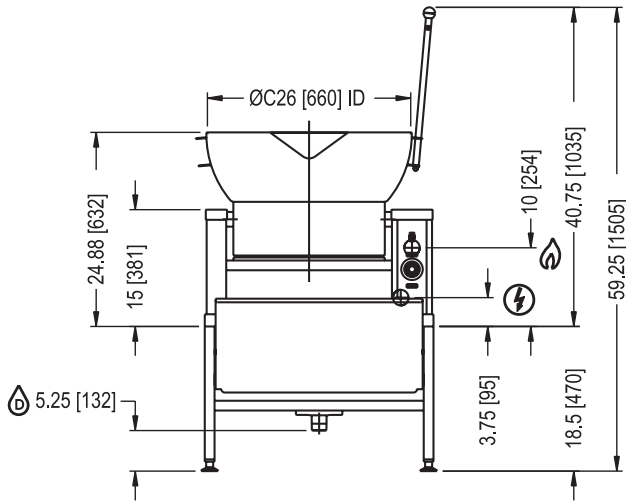
AGA/CGA Certified and NSF Approved.



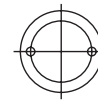
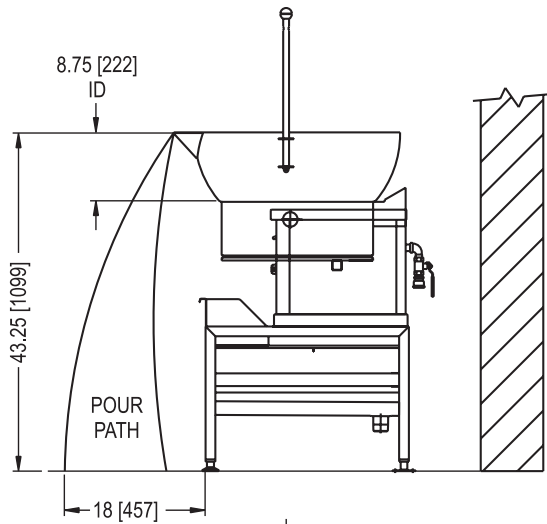
Models: GCTRS-16



FRONT OF APPLIANCE
MOUNTING PATTERN



Shown with optional stand.



REAR FLANGED FOOT DETAIL
2 EQUALLY SPACED
Ø7/16" [11mm] HOLES
ON 2.25 [57] B.C.

Dimensions are in inches [mm].

SHIPPING WEIGHT	MINIMUM CLEARANCE *	
	285 LBS. [100 KG]	SIDES
BACK		6 [152]

* Use on noncombustible floors only.

MODEL	SERVICE CONNECTIONS		BTU/HR	kW/HR.
GCTRS-16		UNLESS OTHERWISE SPECIFIED, FIELD WIRE ELECTRICAL CONNECTION TO BE 120V, 60 Hz., SINGLE PHASE WITH GROUNDING WIRE. UNIT FURNISHED WITH 6' CORD AND 3 PRONG PLUG. TOTAL MAXIMUM AMPS 2.0.	30,000	8.8
		GAS CONNECTION: SUPPLY GAS THROUGH 1/2" PIPE. NATURAL 7" - 14" W.C. (178MM - 355MM W.C.) PROPANE 11" - 14" W.C. (280MM - 355MM W.C.) CONTACT MANUFACTURER FOR INSTALLATION IF ELEVATION IS OVER 2,000 FT.		
		DRAIN CONNECTION: 1-1/2 NPT DRAIN CONNECTION ON OPTIONAL STAND		

**INTENDED FOR COMMERCIAL USE ONLY.
NOT FOR HOUSEHOLD USE.**



1100 Old Honeycutt Road, Fuquay-Varina, NC 27526
(919) 762-1000 www.southbendnc.com