



# CONVECTION OVEN

## MARATHONER GOLD - HALF SIZE

Gas, SINGLE DECK

GH/10SC, GH/10CCH

### Standard Features

- Patented, high efficiency, non-clog Jet Stream burners
- 30,000 BTU (NAT or LP)
- Available standard depth
- Single deck convection oven is 33" in height (with 4" legs)
- Patented "plug-in, plug-out" control panel - easy to service
- Stainless steel front, sides and top
- Single door with window
- Coved, fastener-free, porcelain interior
- Soft Air, two speed, 1/2 hp, fan motor
- 11-position rack guides and 5 plated oven racks
- Electronic ignition with solid state temperature controls
- Forced cool down fan mode
- Oven "ready" light -cycles with burners



### Available Controls

#### SC-Standard Controls

140°F to 500°F solid state thermostat and 60 minute mechanical cook timer.

#### CCH-Cycle / Cook & Hold Control

150°F to 500°F temperature controller with 140°F to 200°F "Hold" thermostat. Dual digital display shows time and temperature. A fan cycle timer pulses the fan.

### STANDARD CONSTRUCTION SPECIFICATIONS

**Exterior Finish:** Stainless steel front, top, and sides. Back is aluminized steel.

**Door:** Single door with window. Stainless steel construction, heavy-duty welded steel frame and 5/8" diameter full-length hinge pin.

**Oven Interior:** Porcelain enamel finish, coved, fastener free.

**Rack and Rack Guides:** Heavy-duty removable wire rack guides spaced on 1-5/8" centers offer 11 different rack positions. 5 wire racks provided with each oven.

**Blower Fan and Motor:** 1/2hp, 2-speed motor, 1725/1140 r.p.m motor mounted to the right side.

**Note:** Oven cannot be operated without fan in operation.

**Oven Heating:** 30,000 BTU (NAT or LP). Oven heating is regulated by an adjustable, solid state thermostat control. Jet Stream style burners direct flame towards rear of combustion chamber. Combustion products are drawn into oven interior and recirculated prior to venting.

**Electronic Ignition:** Hot surface ignitor with flame safety device.

**Control Panel:** Located of front, at right side of oven, away from heat zone. Removable panel opens downward for easy servicing.

**Interior Lights:** One 40 watt, high temperature, recessed lamp located within the oven cavity.

**Legs:** 4" stainless steel legs standard.

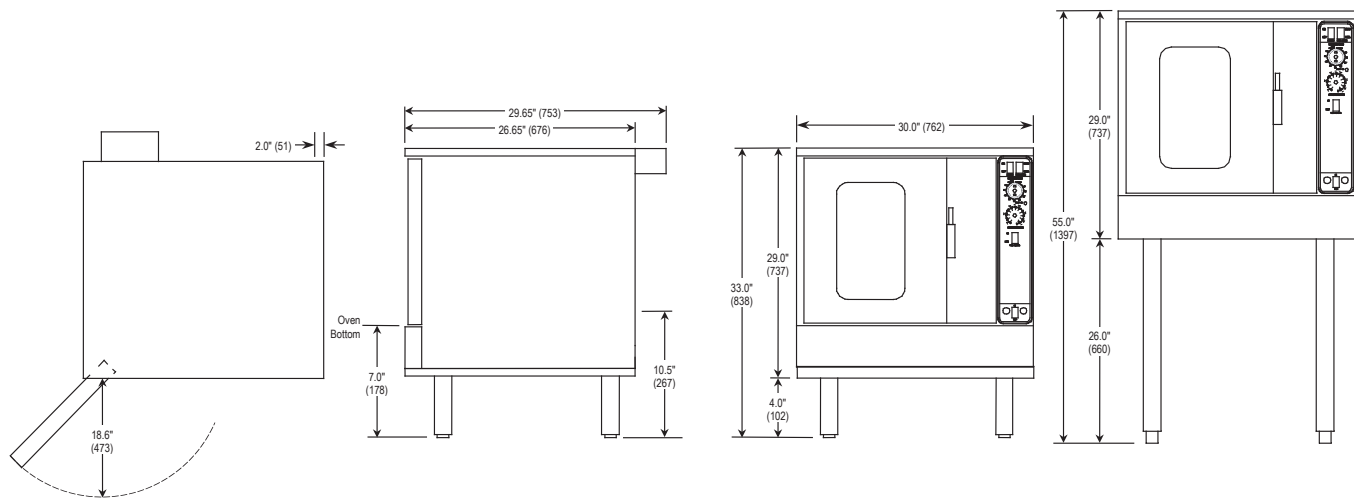


Job \_\_\_\_\_  
Item# \_\_\_\_\_

Models:

GH/10SC

GH/10CCH



MODEL	OVEN INTERIOR			RACK CLEARANCE		SHIPPING CRATE				
	WIDTH	DEPTH	HEIGHT	WIDTH	DEPTH	WIDTH	DEPTH	HEIGHT	VOLUME	WEIGHT
EH/10	15.8" (401)	21.3" (541)	20" (508)	13" (330)	21" (533)	53" (1346)	45.5" (1157)	45" (1143)	62.8 cu. ft. (1.78 cu. m.)	420 lbs (190.5 kg.)

**Note:** When shipped on 26" legs, crated height is 79" (2006 mm)

### UTILITY INFORMATION

- GAS:**
- 30,000 BTU (NAT or LP)
  - One 3/4" male connection
  - Required minimum inlet pressure:
    - Natural gas 7" W.C.
    - Propane gas 11" W.C.

**ELECTRIC:** Standard: 120/60/1 phase, furnished with 6' cord w/3-prong plug (1 plug/deck). NEMA #5-15p. Total maximum amps 7.9.

Optional: 208/60/1 (190-219 volts). Supply must be wired to junction box with terminal block located at rear. Total maximum amps 4.3 per deck.

Optional: 240/60/1 (220-240 volts). Supply must be wired to junction box with terminal block located at rear. Total maximum amps 3.8 per deck.

Optional: 240/50/1 (208-240 volts). Supply must be wired to junction box with terminal block located at rear. Total maximum amps 6.0 per deck.

*\* All units shipped single phase. Single phase can be easily converted to three phase.*

### MISCELLANEOUS

- If using flex hose connector, the I.D should not be smaller than 3/4" and must comply with ANSI Z 21.69.
- If casters are used with flex hose, a restraining device should be used to eliminate undue strain on the flex hose.
- Clearances from combustibles: Top - 0", bottom - 0", right side - 0" and left side - 3"
- Recommend - install under vented hood
- Check local codes for fire and sanitary regulations
- If the unit is connected directly to the outside flue, an A.G.A approved down draft diverter must be installed at the flue outlet of the oven
- Oven cannot be operated without fan in operation

Notice: Southbend reserves the right to change specifications and product design without notice. Such revisions do not entitle the buyer to corresponding changes, improvements, additions, or replacements for previously purchased equipment.

### OPTIONS AND ACCESSORIES

- Stainless Steel oven interior
- Stainless Steel solid door
- Swivel Caster - front with locks
- Knocked down packaging
- Export Crating
- Extra oven racks
- 12" stainless steel legs
- 26" stainless steel legs
- 26" stainless steel legs with casters
- 26" stainless steel legs with flanged legs
- Stainless steel legs with rack pan guide kit
- Marine edge top
- Down draft diverter for direct flue
- 208/240V 50/60 cycle (for use on 1 or 3 phase)
- 3/4" quick disconnect with flexible hose (specify length: 3ft, 4ft, or 5ft)
- 2" air insulation panel (stainless steel only)

**INTENDED FOR COMMERCIAL USE ONLY.  
NOT FOR HOUSEHOLD USE.**



1100 Old Honeycutt Road, Fuquay-Varina, NC 27526  
(919) 762-1000 www.southbendnc.com