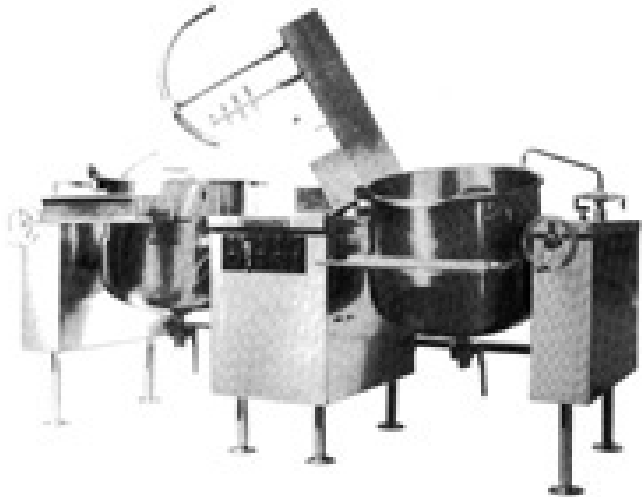




DIRECT STEAM LEG-MOUNTED TWIN TILTING MIXER KETTLES

Job _____
Item# _____



MODEL	CAPACITY	
KDMTL-40-2	2 x 40 Gallon	2 x 152 Liter
KDMTL-60-2	2 x 60 Gallon	2 x 227 Liter
KDMTL-80-2	2 x 80 Gallon	2 x 303 Liter
KDMTL-100-2	2 x 100 Gallon	2 x 380 Liter

OPERATION SHALL BE BY:

Direct steam. Hydraulic power supply is standard either:

- 208 Volts, 3 Phase, 60 Hz
- 240 Volts, 3 Phase, 60 Hz

OPTIONAL ITEMS AT EXTRA COST:

- Swing faucet on left or right console
- 3" manual butterfly valve
- 2" manual butterfly valve
- 316 stainless steel liner for high acid content products
- 480 VAC, 60 Hz, 3 Phase (for motor)
- Ball float trap
- Quick chill system
- Steam control assembly (STA-)
- High pressure operation (HP-50)

SPECIFICATIONS:

Shall be a Southbend Model _____, direct steam, twin tilting kettle operating at a maximum of 35 psi. Construction shall be welded stainless steel type 304 satin finish. A double wall kettle interior shall form a steam jacket around the lower 2/3 of the kettle. The bottom of the kettle shall be of hemispheric design for maximum heat transfer. The tubular legs shall be constructed of stainless steel pipe fitted with four hole, adjustable, flanged feet for securing to the floor. A sealed stainless steel tilt mechanism shall permit the kettle to tilt forward a full 90° for complete emptying. The tilt mechanism shall be self locking for positive stop action.

MIXER FEATURES:

The mixer is a variable speed unit powered by a 5 hp electric motor driving a hydraulic pump. Two agitators shall be included, a primary stainless steel scraper/agitator, and a secondary high speed mixer. Both agitators shall be removable for cleaning and no tools will be required for removal.

The console front to have the main power switch, mixer lift switch and variable speed control.

The bridge is constructed of 10 gauge stainless steel and contains two heavy duty hydraulic motors to drive the agitators. The bridge shall be power tilt, and swing 140° out of the way for kettle tilting or cleaning.

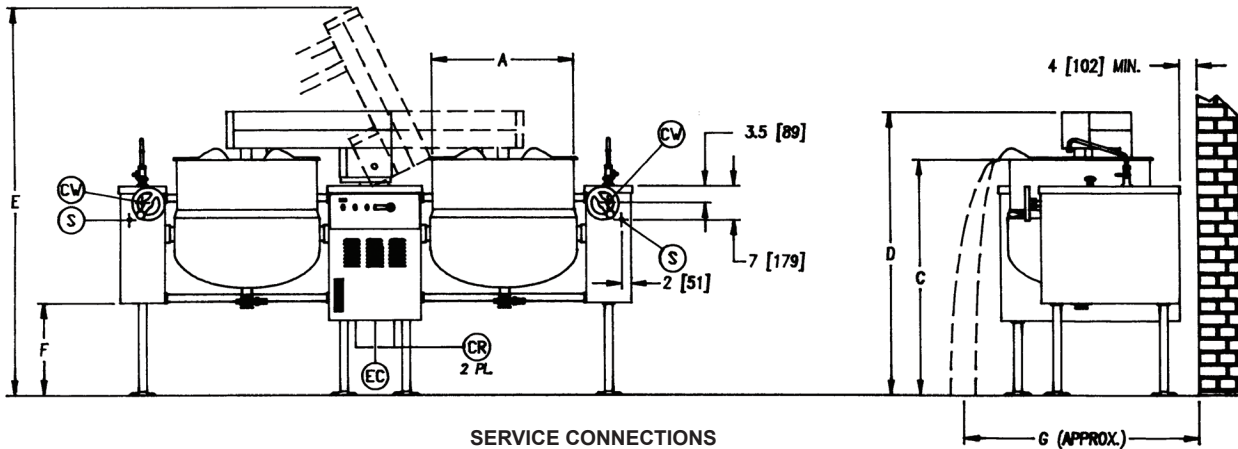
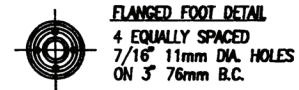
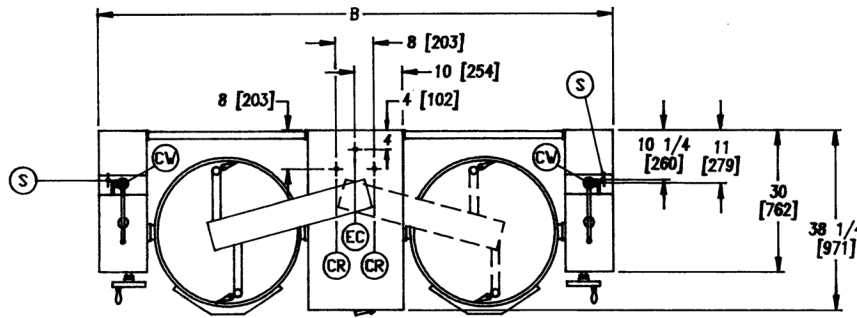


Models: KDMTL-40-2

KDMTL-60-2

KDMTL-80-2

KDMTL-100-2



SERVICE CONNECTIONS

EC - ELECTRICAL CONNECTION: As specified by data plate

S - STEAM SUPPLY: 3/4" IPS (19 mm)

CW - COLD WATER: 3/8" (10 mm) nominal tubing to kettle fill faucet (OPTIONAL)

CR - CONDENSATE RETURN: 1/2" IPS (13 mm)

DIMENSIONS

MODEL	CAPACITY	UNITS	A	B	C	D	E	F	G
KDMTL-40-2	40 Gal Each (151 liters)	inches (mm)	26" (660)	102" (2591)	45.5" (1156)	55" (1397)	75.63" (1921)	15.13" (384)	56" (1422)
KDMTL-60-2	60 Gal Each (227 liters)	inches (mm)	29.5" (749)	108" (2743)	49" (1245)	58.5" (1486)	80" (2032)	19.5" (495)	58" (1473)
KDMTL-80-2	80 Gal Each (303 liters)	inches (mm)	33" (838)	116" (2946)	49" (1245)	58.5" (1486)	80" (2032)	19.5" (495)	60" (1524)
KDMTL-100-2	100 Gal Each (380 liters)	inches (mm)	35.5" (902)	121" (3073)	49" (1245)	58.5" (1486)	85" (2159)	19.5" (495)	63" (1600)

ELECTRICAL CHARACTERISTICS

MODEL	AMPS PER LINE		
	208V	240V	480V
KDMTL-40-2	14.0	14.0	7.0
KDMTL-60-2			
KDMTL-80-2			
KDMTL-100-2			

**INTENDED FOR COMMERCIAL USE ONLY.
NOT FOR HOUSEHOLD USE.**



1100 Old Honeycutt Road, Fuquay-Varina, NC 27526
(919) 762-1000 www.southbendnc.com