

Job _____
Item# _____



MODEL	CAPACITY	
KDPT-20	20 Gallon	76 Liter
KDPT-30	30 Gallon	114 Liter
KDPT-40	40 Gallon	152 Liter
KDPT-60	60 Gallon	227 Liter
KDPT-80	80 Gallon	303 Liter

SPECIFICATIONS:

Shall be a Southbend Model _____, direct steam connected, pedestal tilting kettle. A double wall kettle interior shall form a steam jacket around the lower 2/3 of the kettle. The bottom of the kettle shall be of hemispherical design for superior heat circulation. The pedestal base shall have four 7/16" (11 mm) holes evenly spaced for securing to the floor. A sealed tilting mechanism shall permit the kettle to tilt forward a full 90° for complete emptying. The tilting mechanism shall be self locking for positive stop action.

Construction shall be all welded, satin finish, stainless steel, type 304. The kettle interior for 20, 30 and 40 gallon models shall be standard stainless steel, type 316 for high acid content cooking. The kettle shall be ASME Code stamped, National Board Registered and NSF certified. Faucet bracket included.

OPERATION SHALL BE BY:

Direct steam at a minimum of 5 psi (34 kPa) and a maximum of 30 psi (207 kPa).

OPTIONAL ITEMS AT EXTRA COST:

- Type 316 stainless steel liner for high acid content cooking on 60 and 80 gallon models.
- 50 PSI (345 kPa) high pressure operation for higher cooking temperature
- 2" (76 mm) draw-off valve (TVT-2) with perforated strainer (TPS-)
- 3" (76 mm) draw-off valve (TVT-3) with perforated strainer (TPS-)
- 2" (50 mm) dairy valve (DDO-2T)
- 3" (76 mm) dairy valve (DDO-3T)
- Spring assist hinged cover (CH-)
- Etched gallon markings (GM-)
- Etched litre markings (LM-)
- Correctional package

ACCESSORIES:

- Single pantry faucet with swing spout (SF-12)
- Double pantry faucet with swing spout (DF-12)
- One piece lift off cover (C-)
- Triple basket assembly (TBA-)
- Steam trap assembly (STA-1)
- Perforated strainer for draw-off valve (TPS-)
- Solid stainless steel disc for draw-off valve (TSS-)
- Strainer hook (SH-)
- Graduated measuring strip (CMS-)
- Pan carrier (PC-4)
- Pour lip strainer (TKS-)
- Draw-off valve hose kit (DVHK-2)



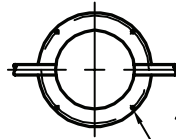
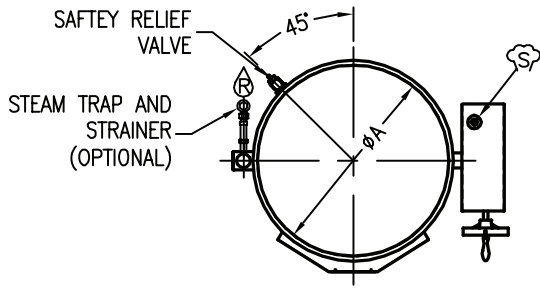
Models: KDPT-20

KDPT-30

KDPT-40

KDPT-60

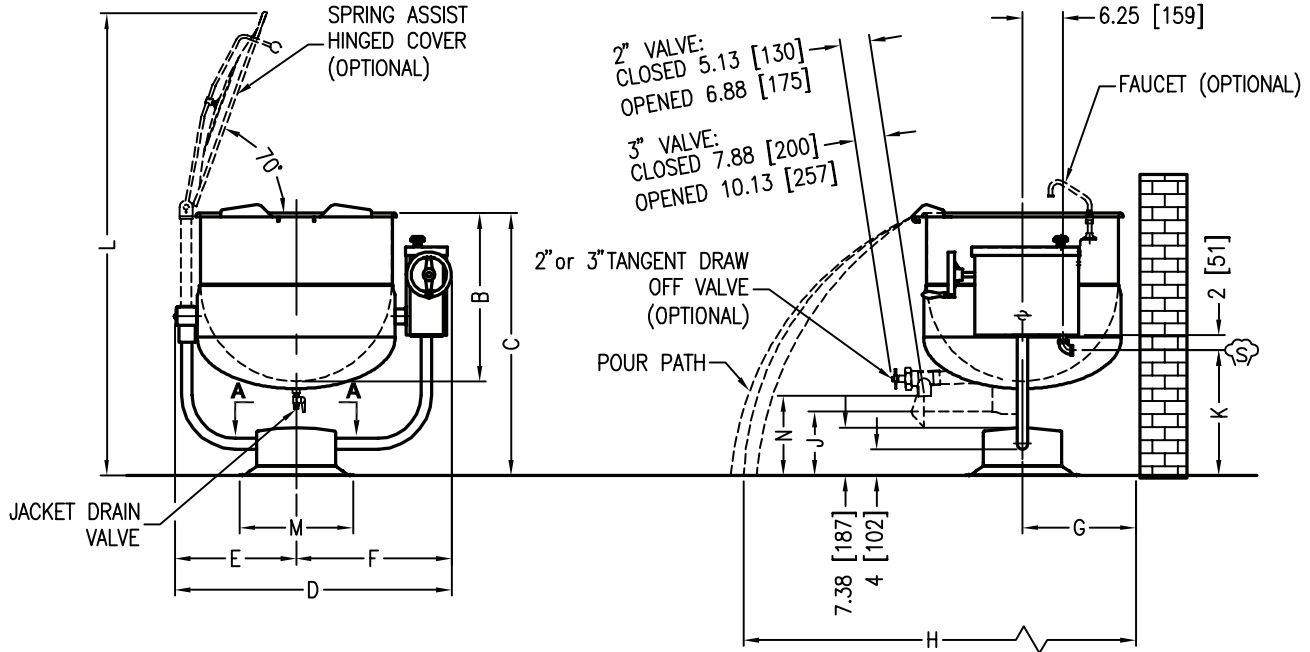
KDPT-80



4X $\phi 7/16$ [11] EQ. SPACED
ON 16.62 [422] B.C. (20 TO 60 GALLONS)
ON 19.62 [498] B.C. (80 GALLONS)

VIEW A-A

MODEL	SHIPPING WEIGHT	MINIMUM CLEARANCE	
KDPT-20	230 lbs. [104 kg]	SIDES	0" [0 mm]
KDPT-30	275 lbs. [125 kg]		
KDPT-40	320 lbs. [145 kg]		
KDPT-60	350 lbs. [159 kg]	BACK	3" [76 mm]
KDPT-80	410 lbs. [186 kg]		



SERVICE CONNECTIONS

- STEAM SUPPLY: 3/4" IPS (19 mm) 5-30 PSI (34-207 kPa). Optional 5-50 PSI (34-345 kPa)*

- CONDENSATE RETURN: 1/2" IPS (13 mm)

* Pressure reducing valve is required if incoming pressure exceeds 50 PSI (345 kPa).

DIMENSIONS

MODEL	CAPACITY	UNITS	A	B	C	D	E	F	G	H	J	K	L	M	N(2")	N(3")
KDPT-20	20 gallons (76 liters)	in (mm)	21" (535)	18" (460)	37" (940)	34.75" (883)	14.75" (375)	20" (508)	13.5" (343)	41" (1041)	15.25" (387)	20.5" (521)	59.5" (1512)	17.5" (445)	16.75" (425)	16.25" (413)
KDPT-30	30 gallons (114 liters)	in (mm)	24" (610)	20" (510)	37" (940)	37.75" (959)	16.25" (413)	21.5" (546)	14" (356)	43" (1092)	13.25" (337)	20" (508)	62.5" (1588)	17.5" (445)	14.75" (375)	14.25" (362)
KDPT-40	40 gallons (152 liters)	in (mm)	26" (660)	22.5" (570)	37" (940)	39.75" (1010)	17.25" (438)	22.5" (572)	15.5" (394)	45" (1143)	10.75" (273)	18.5" (470)	64" (1626)	17.5" (445)	12.25" (311)	11.75" (298)
KDPT-60	60 gallons (227 liters)	in (mm)	29.5" (750)	26" (660)	40.5" (1029)	43" (1092)	18.88" (479)	24.13" (613)	17.5" (445)	48" (1219)	10.25" (260)	19.25" (489)	74" (1879)	17.5" (445)	14.25" (362)	13.75" (349)
KDPT-80	80 gallons (303 liters)	in (mm)	33" (840)	28" (710)	42.5" (1080)	46.5" (1181)	20.63" (524)	25.88" (657)	19" (483)	52" (1321)	9.75" (248)	20.5" (521)	76" (1930)	20.5" (521)	12.25" (311)	11.75" (298)

**INTENDED FOR COMMERCIAL USE ONLY.
NOT FOR HOUSEHOLD USE.**



1100 Old Honeycutt Road, Fuquay-Varina, NC 27526
(919) 762-1000 www.southbendnc.com