



### SPECIFICATIONS:

Shall be a Southbend Model \_\_\_\_\_, self-generating, electric, tilting kettle. A double wall kettle interior shall form a steam jacket around the lower 2/3 of the kettle. The jacket enclosure shall contain distilled water which is factory sealed. The bottom of the kettle shall be of hemispherical design for superior heat circulation.

The mounting base shall include four stainless steel tubular legs fitted with a four hole adjustable foot for securing the unit to the floor and a stainless steel mechanism housing.

A removable operating handle with heat proof knob shall be mounted on the right.

Construction shall be of all welded satin finish stainless steel, type 304. The interior cooking surface shall be of type 316 stainless steel for added resistance to corrosion. The kettle shall be ASME constructed, National Board Registered, c-CSA-us and NSF certified.

The controls shall be water resistant, integrally mounted and shall include a power switch, solid state thermostat, pilot light, vacuum/pressure gauge, safety valve, low water light, and low water shut off.

The kettle shall operate in a temperature range of 165°F to 285°F (74°C to 140°C) at a maximum pressure of 50 psi (345 kPa). The kettle shall come standard with removable elements.

MODEL	CAPACITIES		
	kW	US Gal.	Liters
KECT-20	12	20	76

### OPERATION SHALL BE BY:

Electrically, self-generating closed steam system equipped for operation on:

The kettle shall be equipped for operation on:

- 208 VAC, 3 phase, 50/60 Hz\*
- 240 VAC, 3 phase, 50/60 Hz\*

\* Phase is field convertible to 1 phase.

### STANDARD FEATURES:

- Low water level cut-off and indicator
- Pressure gauge
- Temperature control
- Safety relief valve
- Type 316 stainless steel liner
- 2/3 steam jacket
- 50 PSI (345 kPa) high pressure operation for higher cooking temperature
- Integrally mounted controls
- Removable elements
- "Clean lock" to hold kettle in cooking position or 105° for ease of cleaning
- Faucet brackets

### OPTIONAL ITEMS AT EXTRA COST:

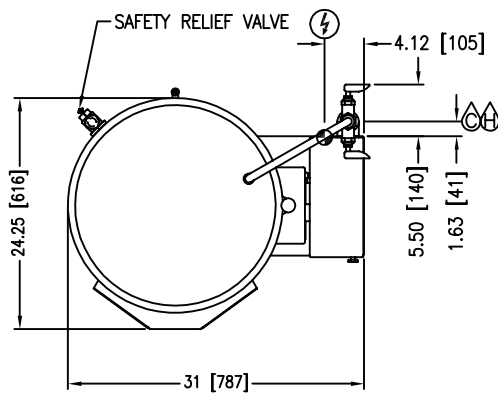
- 220 VAC, 1 or 3 phase, 50/60 Hz
- 380 VAC, 3 phase, 50/60 Hz
- 415 VAC, 3 phase, 50/60 Hz
- 480 VAC, 3 phase, 50/60 Hz
- 600 VAC, 3 phase, 50/60 Hz
- 415/240 VAC, 3 phase, 4 wire, 50/60 Hz
- 380/220 VAC, 3 phase, 4 wire, 50/60 Hz
- 2" (50mm) draw-off valve (mounted on side)
- Etched gallon markings (GM-20)
- Etched liter markings (LM-76)
- Correctional Package

### ACCESSORIES:

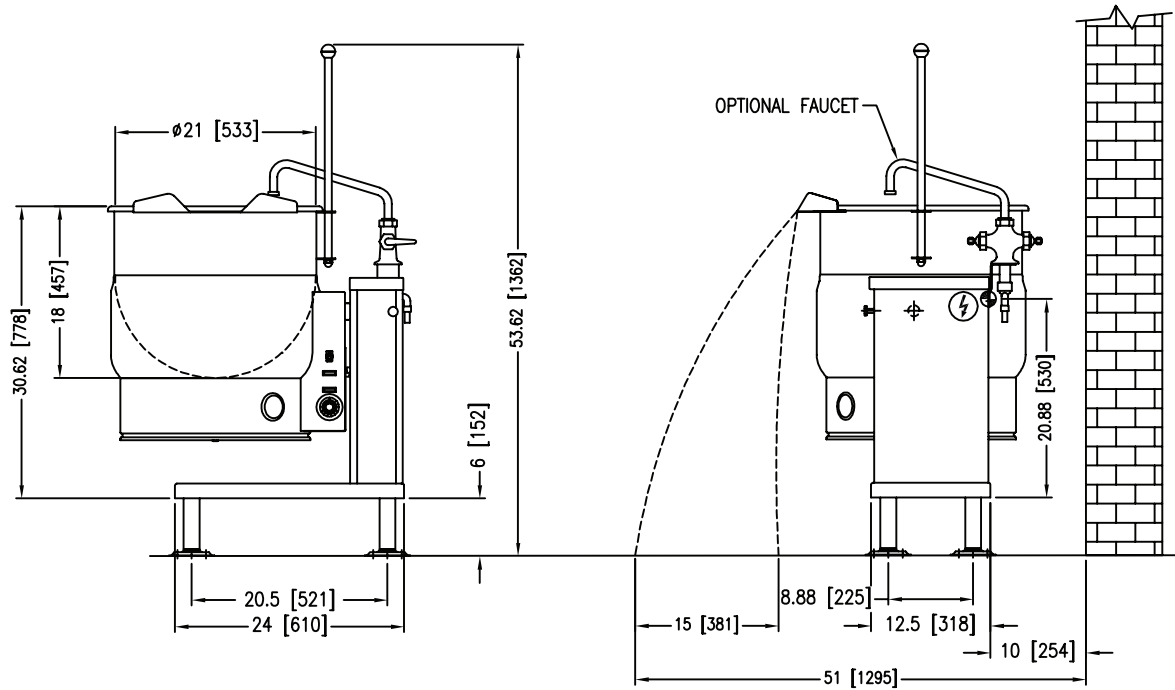
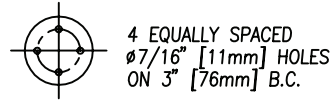
- One piece lift-off stainless steel cover (C-20)
- Stainless steel wire basket (SSB-20)
- Perforated strainer for draw-off valves (TPS-2)
- Solid strainer for draw-off valves (TSS-2)
- Pour lip strainer (TKS-20)
- Strainer hook (SH-20)
- Graduated measuring strip (CMS-20)
- Single pantry faucet with swing spout (SF-12)
- Double pantry with swing spout (DF-12)

Job \_\_\_\_\_  
Item# \_\_\_\_\_

Models:  KECT-20



Shipping Weight	Minimum Clearance		
	Right Side	Left Side	Back
225 lbs. [59 kg]	0" (0 mm)	3" (76 mm)	7.5" (184 mm)



**SERVICE CONNECTIONS**

- ELECTRICAL CONNECTIONS: to be specified on data plate
- COLD WATER: 3/8" O.D. tubing to faucet (OPTIONAL)
- HOT WATER: 3/8" O.D. tubing to faucet (OPTIONAL)

**ELECTRICAL CHARACTERISTICS**

MODEL	CAPACITY	PHASE	kW	AMPS PER LINE						
				208V	220V	240V	380V	415V	480V	600V
KECT-20	20 Gallons	1	12	57.6	54.5	50.0	-	-	-	-
	76 Liters	3	12	33.4	31.5	28.9	18.3	16.7	14.5	11.5

**INTENDED FOR COMMERCIAL USE ONLY.  
 NOT FOR HOUSEHOLD USE.**



1100 Old Honeycutt Road, Fuquay-Varina, NC 27526  
 (919) 762-1000 www.southbendnc.com