



SPECIFICATIONS:

Shall be a Southbend Model _____, self-generating, electric, tri-leg kettle, ASME Code stamped, National Board Registered, c-CSA-us and NSF certified. A double wall kettle interior shall form a steam jacket around the lower 2/3 of the kettle. The jacket enclosure shall contain distilled water which is factory sealed. The bottom of the kettle shall be of hemispherical design for superior heat circulation. Kettle will be mounted on 3 stainless steel tubular legs fitted with a 4-hole adjustable foot for securing unit to the floor.

Construction shall be all welded #4 finish stainless steel type 304. The liner on the 20, 30 and 40 gallon models shall be standard 316 for high acid content cooking. The controls shall be integrally mounted and shall include a power switch, thermostat, pilot light, low water light, vacuum/pressure gauge, safety valve, and low water shut off.

The kettle shall be standard with removable elements. The 20, 30 and 40 gallon models are supplied with a hinged, counter-balanced, stainless steel, domed cover. The 60, 80 and 100 gallon models are supplied with a spring-assist, hinged, stainless steel, domed cover. The kettle shall include a 2" (50 mm) draw-off valve with perforated strainer.

The kettle shall operate in a temperature range of 165°F to 285°F (74°C to 140°C) at a maximum pressure of 50 psi (345kPa). Includes faucet bracket.

MODEL	kW	CAPACITY	
KELS-20	12	20 Gallon	76 Liter
KELS-30	15	30 Gallon	114 Liter
KELS-40	18	40 Gallon	152 Liter
KELS-60	18	60 Gallon	227 Liter
KELS-80	18	80 Gallon	303 Liter
KELS-100	24	100 Gallon	379 Liter

OPERATION SHALL BE BY:

Electrically, self-generating closed steam system equipped for operation on:

- 208 VAC, 1 Phase, 50/60 Hz. (20 and 30 gallon only)
- 208 VAC, 3 Phase, 50/60 Hz.
- 240 VAC, 1 Phase, 50/60 Hz. (20 and 30 gallon only)
- 240 VAC, 3 Phase, 50/60 Hz.

OPTIONAL ITEMS AT EXTRA COST:

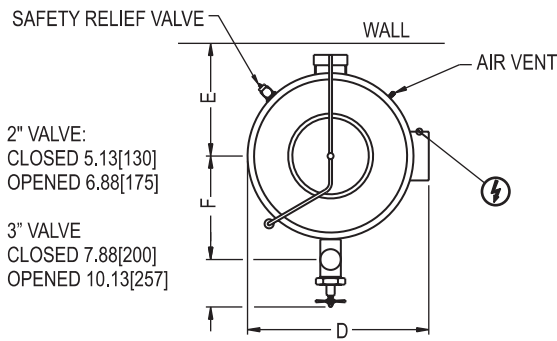
- Type 316 stainless steel liner (60, 80 and 100 gallon models)
- 3" (76 mm) draw-off valve (TVT-3) with perforated strainer (TPS-)
- 2" (50 mm) dairy valve (DDO-2T)
- 3" (76 mm) dairy valve (DDO-3T)
- 24 kw on 40, 60, 80 gallon
- 33 kw on 60, 80, 100 gallon
- 220 VAC, 1 Phase, 50/60 Hz (20 and 30 gallon only)
- 220 VAC, 3 Phase, 50/60 Hz.
- 380 VAC, 3 Phase, 50/60 Hz.
- 415 VAC, 3 Phase, 50/60 Hz.
- 480 VAC, 3 Phase, 50/60 Hz.
- 600 VAC, 3 Phase, 50/60 Hz.
- 380/220 VAC, 3 Phase, 50/60 Hz. 4 wire
- 415/240 VAC, 3 Phase, 50/60 Hz. 4 wire
- Spring assist hinged cover for 20, 30 or 40 gallon models (CH-)
- Two piece hinged stainless steel cover (2PHC-)
- Etched gallon markings (GM-)
- Etched litre markings (LM-)
- Correctional package

ACCESSORIES:

- Single pantry faucet with swing spout (SF-18)
- Double pantry faucet with swing spout (DF-18)
- One piece lift off cover (C-)
- Triple basket assembly (TBA-)
- Solid stainless steel disc for draw-off valve (TSS-)
- Graduated measuring strip (CMS-)
- Strainer hook (SH)
- Draw-off valve hose kit (DVHK-2)
- Calibrated thermostat dial "F"
- Calibrated thermostat dial "C"
- Perforated strainer for draw-off valve (TPS-)

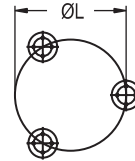
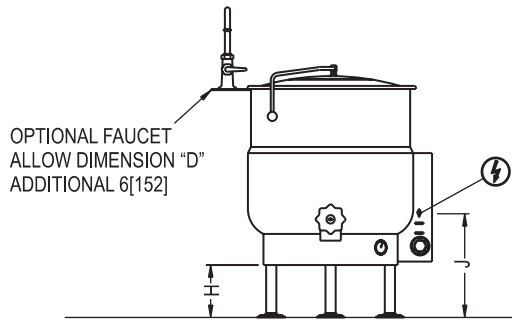
Job _____
Item# _____

Models: KELS-20 KELS-30 KELS-40 KELS-60 KELS-80 KELS-100



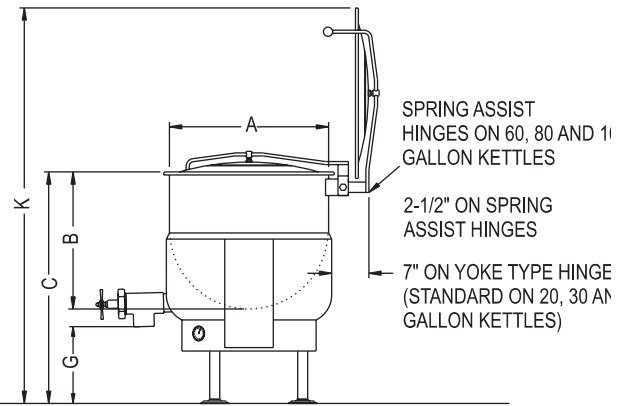
2" VALVE:
CLOSED 5.13[130]
OPENED 6.88[175]

3" VALVE
CLOSED 7.88[200]
OPENED 10.13[257]



FLANGED FOOT DETAIL
4 EQUALLY SPACED
Ø7/16" [11mm] HOLES
ON 3 [76] B.C.

MODEL	SHIPPING WEIGHT	MINIMUM CLEARANCE	
KELS-20	196 lbs. [89 kg]	SIDES	3" [76 mm]
KELS-30	226 lbs. [103 kg]		
KELS-40	255 lbs. [116 kg]		
KELS-60	390 lbs. [177 kg]	BACK	3" [76 mm]
KELS-80	445 lbs. [202 kg]		
KELS-100	480 lbs. [218 kg]		



DIMENSIONS ARE IN INCHES [MM]

SERVICE CONNECTIONS

⚡ – ELECTRICAL CONNECTION : to be specified on data plate

DIMENSIONS

MODEL	CAPACITY	UNITS	A	B	C	D	E	F(2")	F(3")	G(2")	G(3")	H	J	K	L
KELS-20	20 gallons (76 liters)	in (mm)	21" (533)	18" (457)	38" (965)	23.75" (629)	18.5" (470)	14.75" (375)	15.5" (394)	18" (457)	17.5" (445)	14" (356)	21" (533)	60.5" (1537)	16.75" (425)
KELS-30	30 gallons (114 liters)	in (mm)	24" (610)	20" (508)	38" (965)	27.75" (705)	20" (508)	16" (406)	16.5" (419)	15.75" (400)	15.25" (387)	12.5" (318)	19" (483)	63.5" (1613)	18.31" (465)
KELS-40	40 gallons (152 liters)	in (mm)	26" (660)	22.5" (572)	38" (965)	29.75" (756)	21" (533)	17" (432)	18" (457)	13.5" (343)	13" (330)	9" (229)	17" (432)	65" (1651)	19.94" (506)
KELS-60	60 gallons (227 liters)	in (mm)	29.5" (749)	26" (660)	42" (1067)	33.75" (857)	19" (483)	18" (457)	19.25" (489)	14" (356)	13.5" (343)	11" (280)	17.25" (438)	75" (1905)	23.13" (587)
KELS-80	80 gallons (303 liters)	in (mm)	33" (838)	28" (711)	45" (1143)	36.75" (933)	20.5" (521)	19.5" (495)	20.5" (521)	15" (381)	14.5" (368)	12.75" (324)	18" (458)	81" (2058)	26.25" (667)
KELS-100	100 gallons (379 liters)	in (mm)	35.5" (902)	30" (762)	48" (1219)	40" (1016)	22" (559)	21.5" (546)	22.5" (572)	15" (381)	14.5" (368)	13" (330)	20.5" (521)	87" (2210)	29.44" (748)

ELECTRICAL CHARACTERISTICS

AVAILABLE kW		
MODEL	STANDARD	OPTIONAL
KELS-20	12	N/A
KELS-30	15	N/A
KELS-40	18	24
KELS-60	18	24 or 33
KELS-80	18	24 or 33
KELS-100	24	33

kW	PHASE	AMPS PER LINE						
		208V	220V	240V	380V	415V	480V	600V
12	1	57.7	54.5	50.0	N/A	N/A	N/A	N/A
	3	33.3	31.5	28.9	18.2	16.7	14.4	11.6
15	1	72.1	68.2	62.5	N/A	N/A	N/A	N/A
	3	41.6	39.4	36.1	22.8	20.9	18.0	14.5
18	3	50.0	47.2	43.3	27.3	25.0	21.7	21.7
	3	66.6	63.0	57.7	36.5	33.4	28.9	23.1
33	3	91.6	86.6	79.4	50.1	45.9	39.7	31.8

**INTENDED FOR COMMERCIAL USE ONLY.
NOT FOR HOUSEHOLD USE.**



1100 Old Honeycutt Road, Fuquay-Varina, NC 27526
(919) 762-1000 www.southbendnc.com