

Job _____
Item# _____



MODEL	CAPACITY	
KEMTL-40	40 Gallon	152 Liter
KEMTL-60	60 Gallon	227 Liter
KEMTL-80	80 Gallon	303 Liter
KEMTL-100	100 Gallon	380 Liter

OPERATION SHALL BE BY:

Electrically, self-generating closed steam system equipped for operation on:

- 208 Volts, 3 Phase, 60 Hz
- 240 Volts, 3 Phase, 60 Hz

OPTIONAL ITEMS AT EXTRA COST:

- Swing faucet on left console
- 3" manual butterfly valve
- 2" manual butterfly valve
- 316 stainless steel liner for high acid content products
- 33 KW elements
- 380 or 415 VAC, 50 Hz, 3 Phase
- 440, 460 or 480 VAC, 60 Hz, 3 Phase
- 575 or 600 VAC, 60 Hz, 3 Phase (not UL)

SPECIFICATIONS:

Shall be a Southbend Model _____, self-generating, electric kettle. Construction shall be welded stainless steel type 304 satin finish. A double wall kettle interior shall form a steam jacket around the lower 2/3 of the kettle. The bottom of the kettle shall be of hemispheric design for maximum heat transfer. The tubular legs shall be constructed of stainless steel pipe fitted with four hole adjustable flanged feet for securing to the floor. A sealed stainless steel tilt mechanism shall permit the kettle to tilt forward a full 90° for complete emptying. The tilt mechanism shall be self locking for positive stop action.

MIXER FEATURES:

The mixer is a variable speed unit powered by a 5 hp electric motor driving a hydraulic pump. Two agitators shall be included, a primary stainless steel scraper/agitator, and a secondary high speed mixer. Both agitators shall be removable for cleaning and no tools will be required for removal.

The console front to have the main power switch, mixer lift switch and variable speed control.

The bridge is constructed of 10 gauge stainless steel and contains two heavy duty hydraulic motors to drive the agitators. The bridge shall be power tilt, and swing 140° out of the way for kettle tilting or cleaning.

Kettle controls shall include a power switch, indicator light, vacuum/pressure gauge, pressure relief valve and low water shut off. Thermostat range to be 140°F to 285°F (60°C to 140°C), a maximum pressure of 50 psi (345 kPa). Electric elements to be removable.



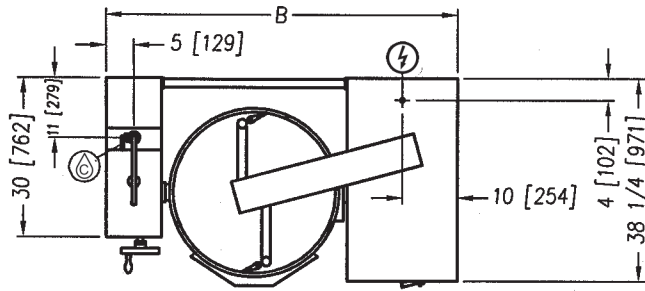
Models:

KEMTL-40

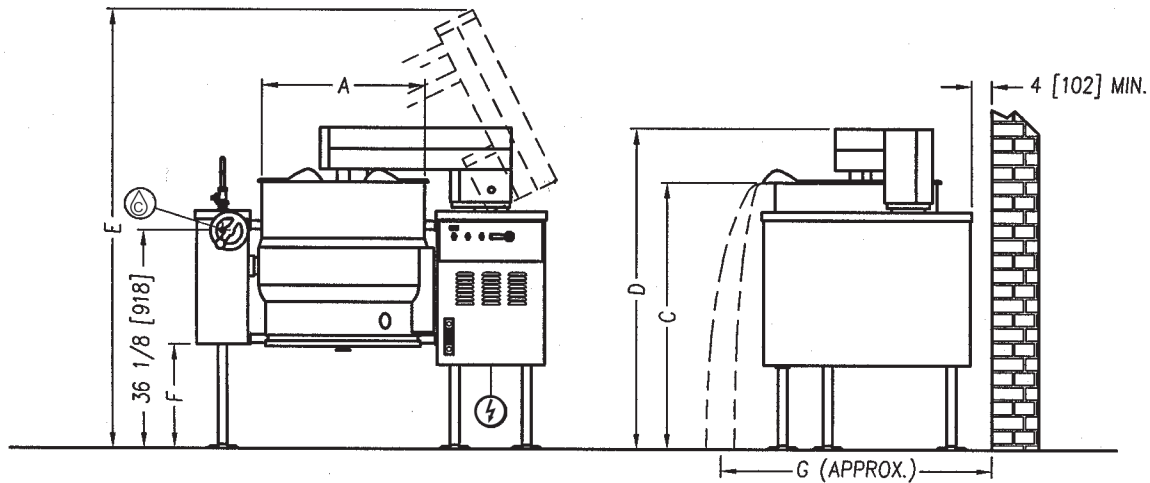
KEMTL-60

KEMTL-80

KEMTL-100



FLANGED FOOT DETAIL
4 EQUALLY SPACED
Ø 7/16" (11mm) HOLES
ON 3" (76mm) B.C.



SERVICE CONNECTIONS

Ⓒ – COLD WATER: 3/8" (10mm) nominal tubing to kettle fill faucet (Optional)

⚡ – ELECTRICAL CONNECTION: As specified by data plate

DIMENSIONS

MODEL	CAPACITY	UNITS	A	B	C	D	E	F	G
KEMTL-40	40 Gallons (151 liters)	inches (mm)	26" (660)	62.25" (1581)	45.5" (1156)	55" (1397)	75.63" (1921)	15.13" (384)	56" (1422)
KEMTL-60	60 Gallons (227 liters)	inches (mm)	29.5" (749)	66" (1676)	49" (1245)	58.5" (1486)	80" (2032)	19.5" (495)	58" (1473)
KEMTL-80	80 Gallons (303 liters)	inches (mm)	33" (838)	69.25" (1759)	49" (1245)	58.5" (1486)	80" (2032)	19.5" (495)	60" (1524)
KEMTL-100	100 Gallons (380 liters)	inches (mm)	35.5" (902)	71.5" (1816)	49" (1245)	58.5" (1486)	85" (2159)	19.5" (495)	63" (1600)

ELECTRICAL CHARACTERISTICS

AVAILABLE kW		
MODEL	STANDARD	OPTIONAL
KELT-40	24	N/A
KELT-60	24	33
KELT-80	24	33
KELT-100	24	33

		AMPS PER LINE						
kW	PHASE	208V	220V	240V	380V	415V	480V	600V
24	3	79.6	75.3	69.0	43.6	39.9	34.6	27.6
33	3	104.6	98.9	90.7	57.2	52.4	44.2	36.3

**INTENDED FOR COMMERCIAL USE ONLY.
NOT FOR HOUSEHOLD USE.**



1100 Old Honeycutt Road, Fuquay-Varina, NC 27526
(919) 762-1000 www.southbendnc.com