

# Platinum

### Standard Features

- Standard (2) years limited parts and labor warranty (reference <http://www.southbendnc.com/#SBVservice.html> for limited warranty details).
- 32" wide sectional range with full-width charbroiler available with a standard-oven base, convection-oven base, cabinet base, or as a modular unit (for mounting on countertop, refrigerated or freezer base)
- Four 20,000 BTU NAT (18,000 BTU LP) burners with two high/low control knobs
- Removable cast iron grates with adjustable front-to-back slope that flip over for either 1/8" or 1/4" grid width
- 600°F even surface temperature on high setting
- Stainless steel burner radiants
- 9-1/4" deep front rail
- Removable drip tray
- Stainless steel front, sides, rear and exterior bottom
- Fully insulated lining and burner box
- 1-1/4" front gas manifold and 1" rear gas connection
- 5" high stainless steel flue riser
- Free battery-design assistance

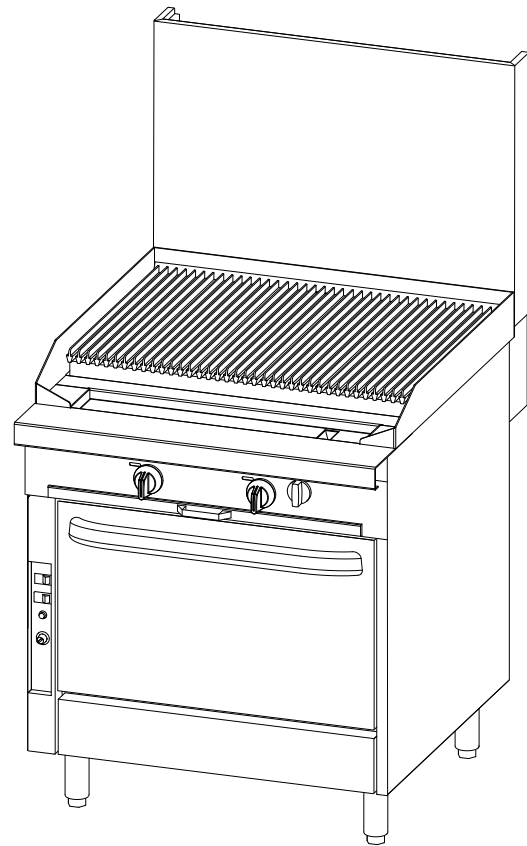
### Standard Features of Oven-Base Models

- 45,000 BTU NAT (42,000 BTU LP) oven with standing pilot
- Heavy duty, stainless steel door handle
- Porcelain enamel interior
- Oven racks (2 for standard oven, 3 for convection oven)
- "Insta-On" thermostat ranging from 175°F to 550°F
- Standard-oven interior is large enough (26" by 26-1/2") for sheet pans to fit either way
- Convection-oven models have 1/2 hp, two-speed blower

### Standard Features of Cabinet-Base Model

- Stainless steel cabinet with removable doors that open from the center

- P32N-CC (Modular Mount)
- P32C-CC (Cabinet Base)
- P32D-CC (Standard-Oven Base)
- P32A-CC (Convection-Oven Base)



Model P32A-CC with optional 24" flue riser

Job \_\_\_\_\_  
Item# \_\_\_\_\_

### STANDARD CONSTRUCTION SPECIFICATIONS

**Exterior Finish:** Front, sides, rear and exterior bottom constructed of #3 polished 430 and 304 stainless steel.

**Range:** 32"-wide front-manifold sectional range with 80,000 BTU NAT (72,000 BTU LP) full-width charbroiler with removable cast iron grates and operating surface temperature of up to 600°F (315°C).

**Front Rail:** 9-1/4" deep front rail.

**Flue Riser** 5" high stainless steel flue riser

**Battery:** Unit can be in any position in a battery.

**Legs:** 6" stainless steel adjustable legs standard.

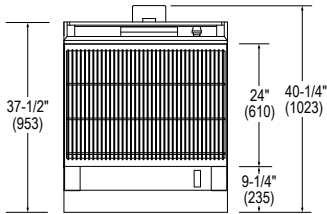
**Model 32D:** 45,000 BTU NAT (42,000 BTU LP) oven with standing pilot and thermostat range of 175°F to 550°F (79°C to 288°C). Porcelain enamel interior, measuring 14" high x 26" wide x 26.5" deep. Two racks with five-position side rails.

**Model 32A:** 45,000 BTU NAT (42,000 BTU LP) convection oven with standing pilot and thermostat range of 175°F to 550°F (79°C to 288°C). Porcelain enamel interior, measuring 14" high x 26" wide x 24" deep. Three racks with five-position side rails. Two-speed, 1/2 hp blower motor.

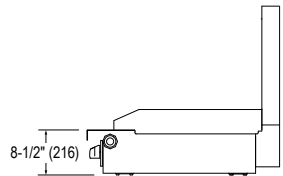
**Model 32C:** Stainless steel cabinet base with two removable doors that open from the center.



Models:  P32N-CC  P32C-CC  P32D-CC  P32A-CC



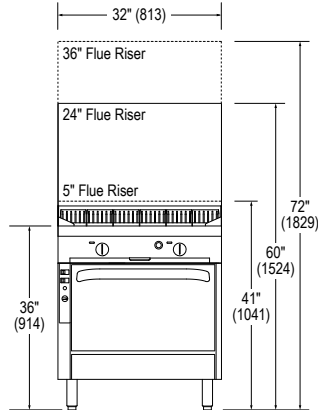
TOP VIEW



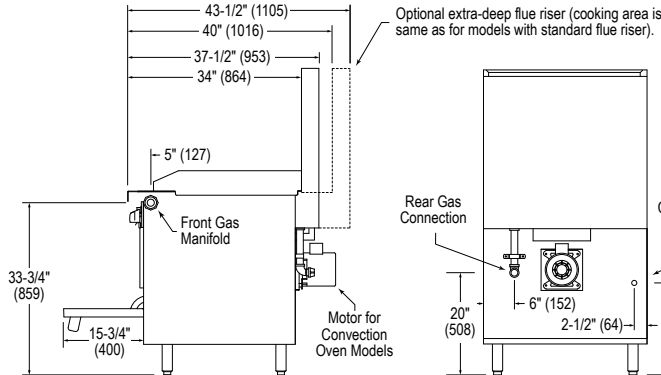
SIDE VIEW of MODULAR MODEL

SHIPPING CRATE DIMENSIONS & WEIGHT					
MODEL	WIDTH	HEIGHT	DEPTH	VOLUME	WEIGHT
P32N-CC	39" (991)	21" (533)	44" (1118)	20.9 cu ft (0.59 cu m)	260 lbs (117.9 kg)
P32C-CC	39" (991)	42.5" (1080)	44" (1118)	42.2 cu ft (1.19 cu m)	450 lbs (204.1 kg)
P32D-CC	39" (991)	42.5" (1080)	44" (1118)	42.2 cu ft (1.19 cu m)	530 lbs (240.4 kg)
P32A-CC	39" (991)	42.5" (1080)	44" (1118)	42.2 cu ft (1.19 cu m)	670 lbs (303.9 kg)

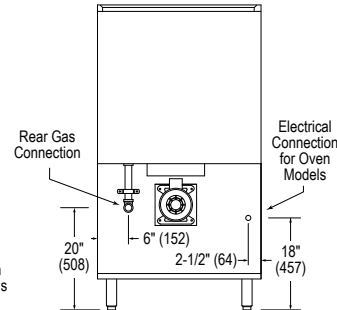
Dimensions shown in inches and (millimeters)



FRONT VIEW



SIDE VIEW



REAR VIEW

### UTILITY INFORMATION

**GAS:** Each unit has a 1-1/4" front manifold that couples to the adjacent sectional unit(s), and a 1" rear gas connection with a male NPT connector. Minimum gas supply pressure is 7" W.C. for natural gas and 11" W.C. for propane. All sectional units require a regulated gas supply (a pressure regulator must be ordered separately). If using a flexible-hose gas connection, the inside diameter of the hose must not be smaller than the connector on the unit and must comply with ANSI Z21.69, providing an adequate means of restraint to prevent undue strain on the gas connection.

MODEL	GAS (BTU/HOUR)		ELECTRICITY (AMPS)	
	NATURAL	PROPANE	120V	208/240V
P32N-CC	80,000	72,000	-	-
P32C-CC	80,000	72,000	-	-
P32D-CC	125,000	114,000	0*	0*
P32A-CC	125,000	114,000	5.9*	2.7*

\*Standing Oven Pilot Models

**ELECTRICITY:** Convection oven models with optional electronic ignition require 50Hz or 60Hz single-phase power. 120V models have a 7-foot power cord with ground plug (5.9A for "A" models). 208/240V models have a terminal block for connection to a single-phase 208/240V source (2.7A for "A" models).

### MISCELLANEOUS

- If casters are used with a flexible-hose gas connection, a restraining device should be used to prevent undue strain on the hose.
- Minimum clearance from noncombustible construction is zero (except there must be 2" clearance behind the blower motor of convection-oven models). For use in noncombustible locations only.
- Installation under a vented hood is recommended.
- Check local codes for fire and sanitary regulations.

#### NOTICE:

Southbend has a policy of continuous product research and improvement. We reserve the right to change specifications and product design without notice. Such revisions do not entitle the buyer to corresponding changes, improvements, additions or replacements for previously purchased equipment.

### OPTIONS and ACCESSORIES

- External pressure regulator
- Casters (front two casters lock)
- Extra-deep rear-extending flue riser
- Front rail options:
  - cutouts in front rail for sauce pans
  - Cable restraint kit (to restrict movement when on casters)
  - Stainless steel oven interior
  - 7-1/4" deep front rail (to match old style sectional)
  - 24" or 36" high flue riser
  - Removable shelf inside cabinet
  - square belly bar mounted on 7-1/4" deep front rail
  - Open-frame base with casters for battery
  - Plated fish grids
  - Electronic oven pilot ignition (no charge)

**INTENDED FOR COMMERCIAL USE ONLY.  
NOT FOR HOUSEHOLD USE.**



1100 Old Honeycutt Road, Fuquay-Varina, NC 27526  
(919) 762-1000 www.southbendnc.com