



R24-3 shown on optional stand

SPECIFICATIONS:

Shall be a Southbend model **R24-3 (3 pan)** or **R24-5 (5 pan)** counter convection steamer with electric steam generator, c-CSA-us and NSF certified. Unit shall be constructed of satin finish 304 stainless steel with a one piece welded 316 stainless steel cooking chamber with coved corners. The door shall have a removable inner liner of stainless steel with full perimeter gasket seal, an outer liner of one-piece all welded stainless steel, and a positive lock and seal mechanism. The steamer shall have removable stainless steel pan supports and a stainless steel drip trough integrally connected to the drain in order to collect condensate when the door is opened, and adjustable leveling feet.

The control housing shall be constructed of stainless steel with a full access removable panel. The controls shall include an illuminated three way power switch (On/Off/De-lime), a pilot ready light, a pilot cook light, 60 minute electric timer with audible alarm at the end of the cooking cycle. Steam flow to the cooking chamber shall be interrupted when the door is opened and shall be reactivated when door is closed. Standard features include a de-liming port located at the rear of the unit for easy access to allow cleaning of the generator tank, de-lime mode power setting, automatic blowdown valve, solid state liquid level controls and split water connections for simple hook up to a water treatment system.

The steamer is constructed so that it may be mounted flush to the counter top or on 4" (102 mm) legs. The steamer may also be stacked using a stacking kit.

***SEE REVERSE SIDE OF SPEC SHEET FOR WATER TREATMENT SYSTEM STATEMENTS*
OPERATION SHALL BE BY:**

Model	Compartment Pan Capacity			
	PanDepth			
	1"	2-1/2"	4"	6"
R24-3	6	3	2	1
R24-5	10	5	3	2

Electrically heated steam generator operating at 0 psi (0 kPa) with field replaceable elements rated at:

- 7.5 kW for Model R24-3
- 15.0 kW for Model R24-5

The steam generator shall be equipped for operation on:

- 208 VAC, 3 Phase, 50/60 Hz. *
- 240 VAC, 3 Phase, 50/60 Hz. *
- 220 VAC, 3 Phase, 50/60 Hz. *
- 380/220 VAC, 3 Phase, 50/60 Hz 4 wire.
- 415/240 VAC, 3 Phase, 50/60 Hz 4 wire.

*** UNIT SHALL BE FIELD CONVERTIBLE TO SINGLE PHASE**

STANDARD FEATURES:

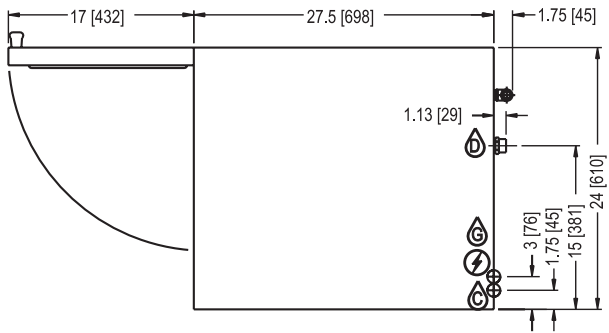
- Water Treatment System
- 304 stainless steel exterior
- 316 stainless steel cooking chamber with coved corners
- Heavy gauge stainless steel door with full perimeter gasket
- Positive lock and seal mechanism with spring release door
- Illuminated power switch
- Ready indicator light
- Cooking indicator light
- 60 minute electromechanical timer with end of cycle audible alarm
- Removable stainless steel pan supports

OPTIONS AND ACCESSORIES:

- 380 VAC, 3 phase, 50/60 Hz.
- 415 VAC, 3 phase, 50/60 Hz.
- 480 VAC, 3 phase, 50/60 Hz.
- 600 VAC, 3 phase, 50/60 Hz.
- Increase 7.5 kW to 10 kW (R24-3 only)
- Increase 12 kW to 15 kW (R24-5 only)
- Correctional package
- High sensitivity level controls (R.O. water)
- Constant steam feature
- 120 minute timer
- Load compensating timer
- 4" (102 mm) adjustable legs
- Stacking kit for (2) units
- Interconnect plumbing for 2 units
- 28" high single unit stand
- 34" high single unit stand
- 18" high double unit stacking stand
- 23" high double unit stacking stand

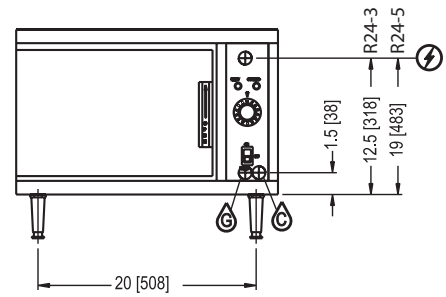
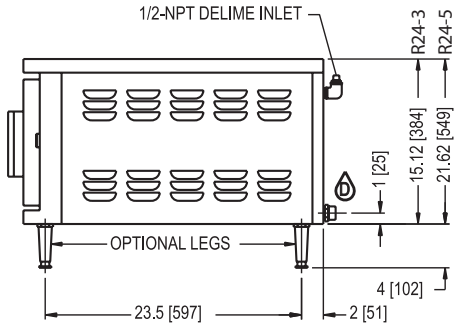
Job
Item#

Models: R24-3 R24-5



MODEL	SHIPPING WEIGHT	MINIMUM CLEARANCE	
		SIDES	BACK
R24-3	141 lbs. [64 kg]	0	0
R24-5	169 lbs. [77 kg]	0	0

DIMENSIONS ARE IN INCHES [MM]



SERVICE CONNECTIONS

- ⚡ – ELECTRICAL CONNECTION: Rating to be as specified on data plate.
- 💧 – COLD WATER: 3/8" (10 mm) O.D. tubing at 25-50 psi (170-345 kPa).
- 🚰 – DRAIN: 2" (51 mm) IPS piped to open floor drain. No solid connection.
- ⚡ – GENERATOR WATER: 3/8" (10 mm) O.D. tubing at 25-50 psi (170-345 kPa).

ELECTRICAL CHARACTERISTICS

MODEL	kW	AMPS/PHASE									
		208V		220V		240V		380V	415V	480 V	600V
		1 PH	3 PH	1 PH	3 PH	1 PH	3 PH	3 PH	3 PH	3 PH	3 PH
R24-3	7.5 Standard	36	21	34	20	31	18	12	11	9	8
	10 Optional	48	28	46	26	42	24	16	14	12	10
R24-5	15 Standard	72	42	69	39	63	36	23	21	18	15

WATER QUALITY STATEMENT

Water quality is the major factor affecting the performance of your appliance. If you are unsure of water quality, consult a local water treatment specialist and have the water analyzed. Your water supply must be within these general guidelines:

- Total dissolved solids.....Less than 60 PPM
- Total alkalinityLess than 20 PPM
- Silica.....Less than 13 PPM
- ChlorineLess than 1.5 PPM
- pH Factor7.0 - 8.5

Water which fails to meet these standards should be treated by installation of water conditioner.

SOUTHBEND WATER TREATMENT SYSTEM MUST BE USED, FOR THIS APPLIANCE TO BE COVERED UNDER WARRANTY*

*FAILURE OR MALFUNCTION OF THIS APPLIANCE DUE TO POOR WATER QUALITY IS NOT COVERED UNDER WARRANTY.

Reference www.southbendnc.com for complete warranty details and restrictions.

**INTENDED FOR COMMERCIAL USE ONLY.
NOT FOR HOUSEHOLD USE.**



1100 Old Honeycutt Road, Fuquay-Varina, NC 27526
(919) 762-1000 www.southbendnc.com