

TVES/10SC

Standard Features

- 7.5kW high efficiency heating elements
 - Available in standard depth
 - Single deck TruVection oven is 27-1/4" in height
 - Stainless steel front, sides and top
 - Dependent 2-piece glass doors (Full 180° opening)
 - Energy saving high efficiency glass windows
 - Heat keeping dual door seal system
 - Coved, porcelain interior
 - Stay cool heavy duty door handle.
 - Two speed, 1/2 hp, fan motor
 - 5-position rack guides and 3 chrome plated oven racks
 - Solid state temperature controls
 - Forced cool down fan mode
 - Oven "heat" light cycles with burners
 - Interior oven lights
 - Platinum modular equipment or Heavy Duty Counterline units can sit on single electric range modular deck.
- Overlapping range tops require an additional add-on cabinet. (See spec sheet TVES/30SC for stacked TruVection units)



TVES/10SC shown with optional platinum equipment mounted on top and casters

Available Control

SC-Standard Controls

150°F to 550°F solid state thermostat and 60 minute mechanical cook timer.

STANDARD CONSTRUCTION SPECIFICATIONS

Exterior Finish: Stainless steel front, sides and top.

Doors: Dependent doors with windows. Low emission glass, stainless steel construction, heavy-duty welded steel frame and 5/8" diameter full-length hinge pin.

Oven Interior: Porcelain enamel finish, coved, fastener free.

Rack and Rack Guides: Heavy-duty removable wire rack guides spaced on 1-5/8" centers offer 5 different rack positions. Three wire racks provided with each oven.

Blower Motor: 1/2hp, 2-speed motor, 1710/1120 r.p.m

Oven Heating: Oven heating is regulated by an adjustable thermostat control. Blower fan circulates air within the cavity "scrubbing" heat to the oven interior for even heat distribution within the cavity.

Note: Oven cannot be operated without fan in operation.

Control Panel: Located on front, at right side of oven, away from heat zone. Removable panel pulls out for easy servicing.

Interior Lights: Two 40 watt temperature recessed lamps located within the oven cavity.

Legs: 6" stainless steel legs standard.

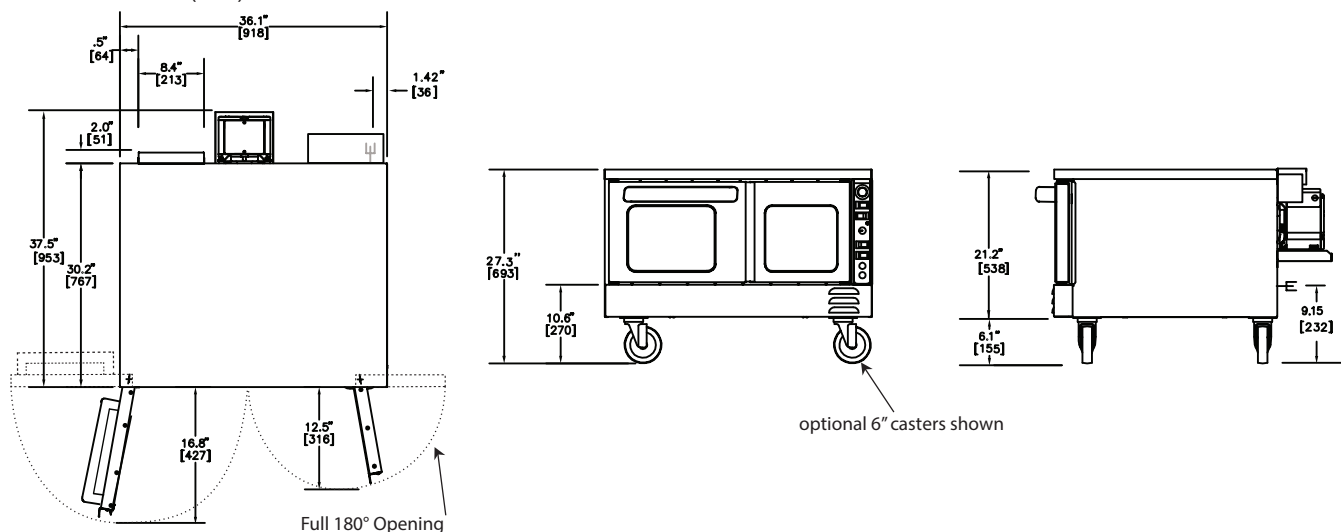
Electrical System: Terminal connections are located below oven section and are accessible from the front of the oven. These sheath type electrical heating elements located at the rear of the oven function as a single heating unit with a combined rating of 7.5 kW. Available voltages include 208, 240, 380, and 480 VAC single or three phase, 50/60 Hz. Ovens equipped with 480VAC single or three phase heating elements use 240V controls and motors and do not require separate electrical lead wires.



Job _____
Item# _____

Models: TVES/10SC

Dimensions -in (mm)



MODEL	OVEN INTERIOR (PER DECK)			RACK CLEARANCE		SHIPPING CRATE				
	WIDTH	DEPTH	HEIGHT	WIDTH	DEPTH	WIDTH	DEPTH	HEIGHT	VOLUME	WEIGHT
TVES/10SC	29" (737)	21.50" (546)	14" (356)	28.25" (718)	21.00" (533)	57.50" (1461)	45.50" (1156)	45" (1143)	68.1 cu. ft. (1.93 cu. m.)	300 lbs (136.08 kg)

UTILITY INFORMATION

Standard: 1/2 horsepower, 2 speed motor, 1710/1120 r. p. m.

ELECTRICAL DATA		AMPS*	
EACH OVEN	VOLTAGE	1 PHASE	3 PHASE
7.5 kW Heating Elements*	208 VAC, 60Hz	36.1	20.8
	220/240 VAC, 50Hz	34.1	19.7
	240 VAC, 60Hz	31.3	18.0
	380/220 VAC, 50Hz	20.0	11.4
	415/240 VAC, 50Hz	18.1	10.4
	480 VAC, 60Hz	16.0	9.0

* Phase shipped per order. Add an additional 4 amps for the control panel.

MISCELLANEOUS

- Clearances from combustibles: Top, bottom, right, left side -0".
- Recommend- nstall under vented hood
- Check local codes for fire and sanitary regulations.

Notice: Southbend reserves the right to change specifications and product design without notice. Such revisions do not entitle the buyer to corresponding changes, improvements, additions, or replacements for previously purchased equipment.

OPTIONS AND ACCESSORIES

- List the voltage, frequency, and amps required (see utility information above).
____VAC, ____Phase, ____Hz
- 26" stainless steel legs
- Casters 4" or 6"
- Marine edge top
- Swivel Caster - front with locks
- Export crating
- Extra oven racks
- Stainless steel dirt tray
- Bottom, roller bearing, sliding rack
- 12" stainless steel legs

**INTENDED FOR COMMERCIAL USE ONLY.
NOT FOR HOUSEHOLD USE.**



1100 Old Honeycutt Road, Fuquay-Varina, NC 27526
(919) 762-1000 www.southbendnc.com