



Profit from the Eagle Advantage®

Specification Sheet

Short Form Specifications

Eagle Spec-Bar® Automatic Glasswasher by Moyer Diebel, model _____. Heavy duty stainless steel construction. Thermostatically controlled wash tank heater maintains required temperature. 30 racks per hour. Upper and lower wash and rinse arms. Single phase electricity.



#MD240HT



#MD240LT

Options / Accessories

- Cycle counter
- Remote cycle

EAGLE GROUP
 100 Industrial Boulevard, Clayton, DE 19938-8903 USA
 Phone: 302-653-3000 • Fax: 302-653-2065
 www.eaglegrp.com

Foodservice Division: Phone 800-441-8440
MHC/Retail Display Divisions: Phone 800-637-5100

For custom configuration or fabrication needs, contact our **SpecFAB® Division**.
 Phone: 302-653-3000 • Fax: 302-653-3091 • e-mail: specfab@eaglegrp.com

Item No.:	_____
Project No.:	_____
S.I.S. No.:	_____

Spec-Bar® Automatic Glasswashers by Moyer Diebel®

MODELS:

- MD240HT
- MD240LT

Design and Construction Features on both models

- Stainless steel construction.
- 11" (279mm) glass clearance.
- Counterbalanced door.
- Reduced water usage.
- Built-in detergent and rinse-aid dispensing pumps.
- Low-water tank heat protection.
- Heavy-duty stainless steel construction.
- Wash pump with 1-HP motor.
- Fresh-water rinse.
- Thermostatically controlled wash tank heater maintains water at the required temperature.
- Fully automatic cycle processes a rack of wares in 90 seconds—30 racks per hour.
- Water consumption: 25.2 gph (49.2 gph maximum).
- Drain flow: 15 gpm maximum.
- 60-cycle single-phase connection.
- NSF-listed as both glasswasher and dishwasher.
- One year warranty on parts and labor.

MD240HT—High-Temperature Unit

- Built-in electrical booster heater for 180°F final rinse in 40°F or 70°F rise.
- Electricity: 208/240V, 32/36A (with 70°F rise booster).

MD240LT—Low-Temperature Unit

- Sanitizer pump.
- 140°F final rinse.
- Electricity: 115V, 12A

Certifications / Approvals



AUTOQUOTES



EG40.40 Rev. 04/11

Spec sheets available for viewing, printing or downloading from our online literature library at www.eaglegrp.com

Eagle Foodservice Equipment, Eagle MHC, SpecFAB®, and Retail Display are divisions of Eagle Group. ©2011 by the Eagle Group

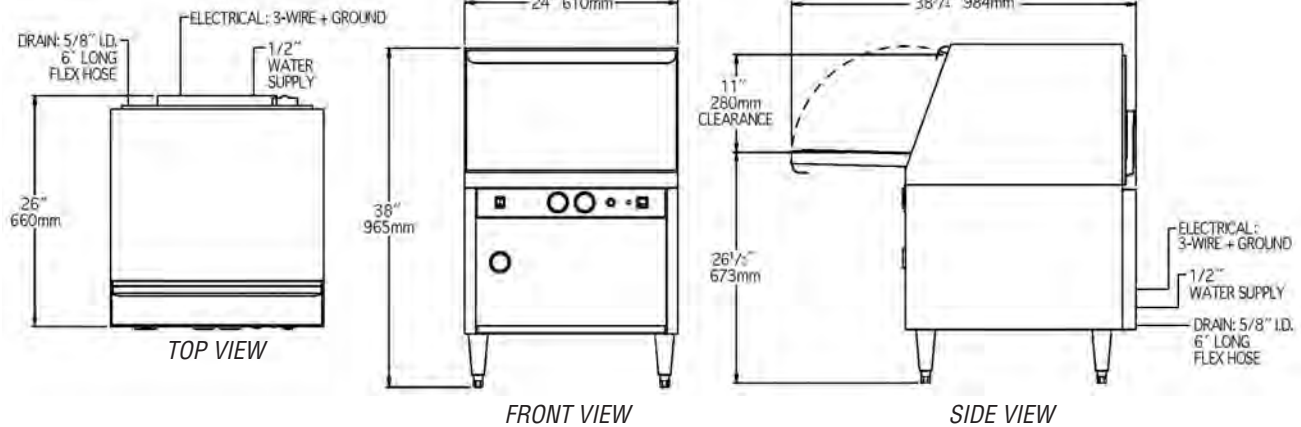


Profit from the Eagle Advantage®

Item No.: _____
 Project No.: _____
 S.I.S. No.: _____

Spec-Bar® Automatic Glasswashers by Moyer-Diebel®

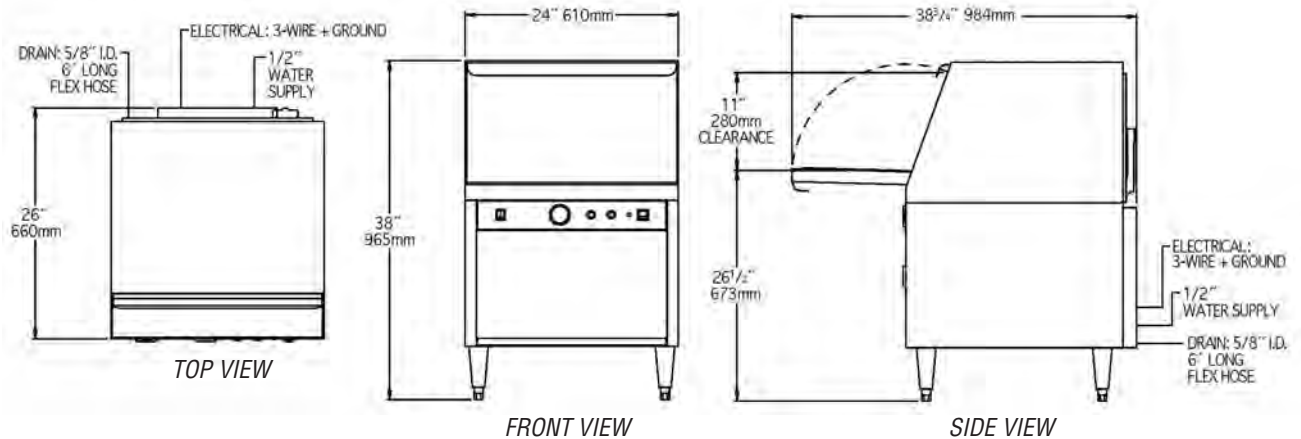
#MD240HT High-Temperature Glasswasher.



model #	width		length		height		weight		volts	amps
	in.	mm	in.	mm	in.	mm	lbs.	kg		
MD240HT	26"	660	24"	610	38"	96	178	80.7	208/240V	*

* 32/36A with 40°F rise booster, 45/50A with 70°F rise booster.

#MD240LT Low-Temperature Glasswasher.



model #	width		length		height		weight		volts	amps
	in.	mm	in.	mm	in.	mm	lbs.	kg		
MD240LT	26"	660	24"	610	38"	96	178	80.7	115	12

EAGLE GROUP
 100 Industrial Boulevard, Clayton, DE 19938-8903 USA
 Phone: 302-653-3000 • Fax: 302-653-2065
 www.eaglegrp.com

Foodservice Division: Phone 800-441-8440
 MHC/Retail Display Divisions: Phone 800-637-5100

Printed in U.S.A.
 ©2011 by Eagle Group

Rev. 04/11

Spec sheets available for viewing, printing or downloading from our online literature library at www.eaglegrp.com

Although every attempt has been made to ensure the accuracy of the information provided, we cannot be held responsible for typographical or printing errors. Information and specifications are subject to change without notice. Please confirm at time of order.