



NOR-LAKE, INCORPORATED  
727 Second Street  
Hudson, Wisconsin 54016

800-955-5253  
715-386-2323  
866-961-5253 Parts  
800-388-5253 Service  
715-386-6149 FAX  
www.norlake.com

# DUAL ACCESS MILK COOLERS



AR124-A

PROJECT:

ITEM NUMBER:

MODEL NUMBER:

## SPECIFICATIONS FOR: AR084-A, AR124-A & AR164-A

- **Exterior Finish:** The self-service doors are stainless steel, the remaining exterior is white enamel over smooth steel. The remaining exterior is available in stainless steel as an option (shown).
- **Interior Finish:** The self-service doors and the remaining interior are galvanized steel. Stainless steel interior is available as an option.
- **Insulation:** The cabinet is insulated with 2 inches of foamed-in-place polyurethane insulation.
- **Hardware:** The milk coolers are equipped with easy roll, locking swivel casters and heavy duty floor racks. The gasketed, insulated doors with stainless steel hinges open for small child self service, close and lock. Door hold open feature secures door during serving. A drain is standard with every unit.
- **Instrumentation:** Thermometer measures temperature in °F.
- **Refrigeration:** Self contained R290 refrigeration system. The evaporator is a cold wall evaporator in the cabinet with no moving parts which allows more room for product. The condenser is an air cooled, copper tube and aluminum finned coil which is mounted on the base of the unit. Adjustable temperature control to optimize product temperatures. Operating temperature: 38°F.
- **Electrical:** 115 volt, 60 Hz, 1 phase with cord and plug.
- **Performance:** Designed with a powerful refrigeration system which provides large capacity. This enables the unit to quickly pull product down to the storage temperature and maintain it.
- **Capacity:**

	Cases with Cartons				Loose Carton (without cases)			
	13 x 13 x 11H		19 x 13 x 11H		Flat Top		Peaked Top (Gable)	
	Cases	Cartons	Cases	Cartons	1/2 Pt.	1 Pt.	1/2 Pt.	1 Pt.
AR084-A:	8	352	4	288	864	432	680	430
AR124-A:	12	528	8	576	1368	684	1020	645
AR164-A:	16	704	12	864	1800	900	1360	860
- **Dual Access:** One unit will supply two serving lines.

## STANDARD FEATURES

- Adjustable temperature control
- Air-cooled condensing unit
- Cold wall evaporator
- Dual access
- Exterior stainless steel doors
- Fold back doors
- Four swivel casters, two locking
- Gasketed locking doors
- Heavy duty epoxy coated floor racks
- White exterior
- Interior galvanized steel
- Key locks
- Corner bumpers
- NSF listed thermometer
- NSF listed drain
- Operating temperature: 38°F
- Power cord and plug furnished
- Stocked for same day shipment
- UL, C-UL, UL Sanitation listed\*\*
- Warranties: 3 year parts and labor, 5 year construction, 5 year compressor

## OPTIONAL FEATURES\*

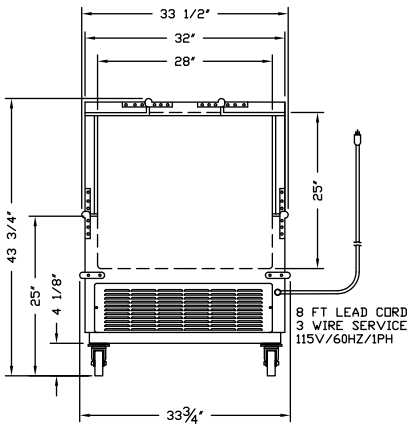
- Laminate for top, front, sides and back
- Stainless steel exterior
- Stainless steel interior

DUAL ACCESS MILK COOLERS

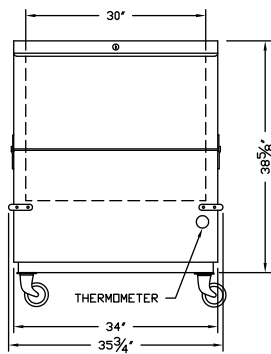
\*Most options are available one week from receipt of order. Please contact us for specific questions.

\*\*C-UL is Underwriters Laboratories Safety Certification Mark which indicates that UL has tested the equipment to applicable CSA Standards.

\*\*UL Sanitation is Underwriters Laboratories Sanitation Mark which indicates that UL has tested the equipment to applicable NSF Standards.

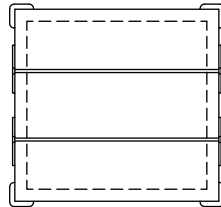


SIDE VIEW (ALL MODELS)

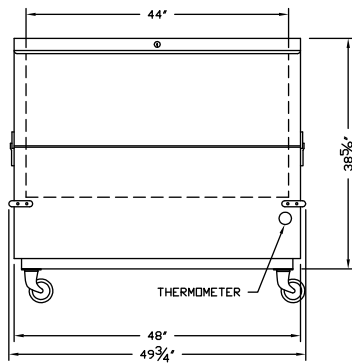


FRONT

AR084-A

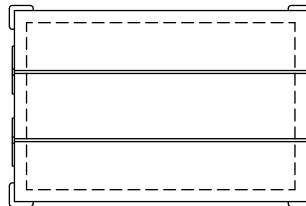


TOP

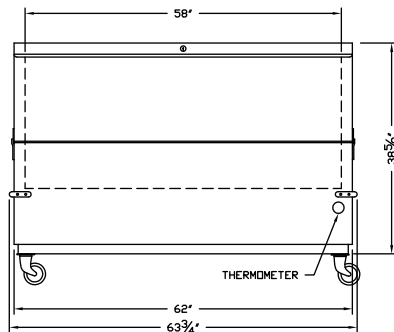


FRONT

AR124-A

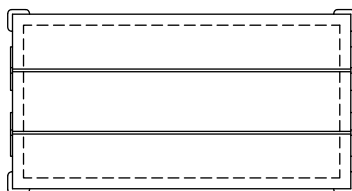


TOP



FRONT

AR164-A



TOP

**SPECIFICATIONS**

Model	AR084-A	AR124-A	AR164-A
Crated Height	43"	43"	43"
Crated Width	37-1/2"	51-1/2"	65-1/2"
Crated Depth	36"	36"	36"
Crated Weight (lbs.)	326	352	484
Interior Height	25"	25"	25"
Interior Width	30"	44"	58"
Interior Depth	28"	28"	28"
Overall Height	43-3/4"	43-3/4"	43-3/4"
Overall Width	35-3/4"	49-3/4"	63-3/4"
Overall Depth	33-3/4"	33-3/4"	33-3/4"
Gross Cubage (ft. <sup>3</sup> )	12.2	17.8	23.5
Number of Floor Racks	2	3	4
Number of Casters	4	4	4
Condensing Unit Size	1/5 HP	1/5 HP	1/5 HP
Refrigerant	R290	R290	R290
Electrical Characteristics	115/60/1	115/60/1	115/60/1
Cord and Plug Furnished	Yes	Yes	Yes
Nema Plug Configuration	5-15P	5-15P	5-15P
Total Amp Draw	1.5	1.5	1.5

Specifications subject to change without notice.



Revision Date: 1/19  
Part Number: 095157