

NOR-LAKE, INCORPORATED
 727 Second Street
 P.O. Box 248
 Hudson, Wisconsin 54016

800-955-5253
 715-386-2323
 866-961-5253 Parts
 800-388-5253 Service
 715-386-4291 FAX
 www.norlake.com



ICE CREAM TOPPING FREEZER - DUAL RAIL



PROJECT:

 ITEM NUMBER:

 MODEL NUMBER:

SPECIFICATIONS FOR: ZF071SMS/0

- **Exterior Finish:** Exterior front, sides, door, top and syrup rail are stainless steel. The exterior back and bottom are galvanized steel.
- **Interior Finish:** Cabinet and rail interior liners are smooth aluminum. Cabinet incorporates 1/4" radius coved corners for ease of cleaning.
- **Dual Syrup Rail:** The syrup rail is designed to accommodate 8 syrup jars. Syrup jars, pumps and lids are sold separate. The syrup rail meets NSF temperature requirements for holding hazardous food product and is controlled by a dedicated temperature control and power switch.
- **Insulation:** The cabinet and doors utilize foamed-in-place polyurethane insulation for added strength and energy savings.
- **Hardware:** Units come standard with one wire shelf per door adjustable in 1/2 inch increments, 4 casters and self-closing doors.
- **Refrigeration:** These units incorporate a self-contained condensing unit in a dual circuit system to cool the cabinet storage section and the rail. The cabinet storage section and the rail have dedicated temperature controls to maintain proper temperature in the cabinet (-10°F to 0°F) and rail (+33°F to +41°F). The freezer base utilizes R-404a refrigerant. The cabinet storage section has automatic defrost with a condensate evaporator so no plumbing is required. The rail section is cold wall and has a dedicated power switch to shut it down when not in use. Rail should be shut off daily as well as when not in use for required defrost of the rail.
- **Electrical:** 115 volt, 60 Hz, 1 phase
- **Approvals:** UL, C-UL Safety and UL Sanitation listed**

STANDARD FEATURES

- Air-cooled condensing unit
- Casters (4)
- Cold wall evaporator in rail
- Dedicated temperature controls for base & syrup rail
- Field reversible door swing
- Forced air evaporator in base
- Operating temperature: -10°F
- Refrigerated pan well
- Polyurethane insulation

- Power switch for syrup rail
- Rigid solid base
- Stainless steel exterior
- 1 adjustable wire shelf per door
- Approvals: UL, C-UL Safety & UL Sanitation listed **
- Warranties: 2 year parts & labor, 5 year compressor

OPTIONAL FEATURES*

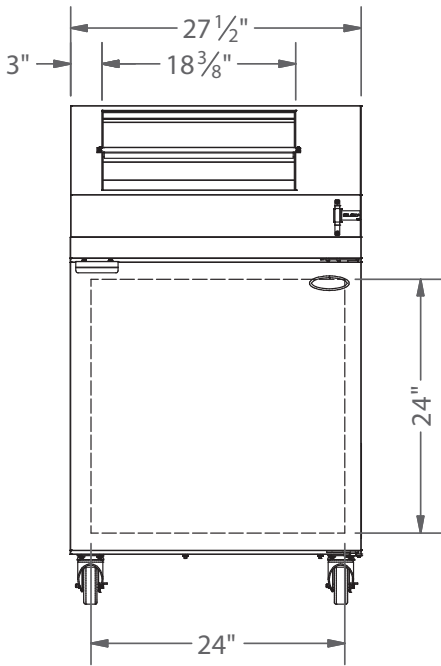
- Legs in lieu of casters
- Stainless steel interior
- Stainless steel shelf extension
- 8 syrup or fruit wells with 7 covers and 1 pump



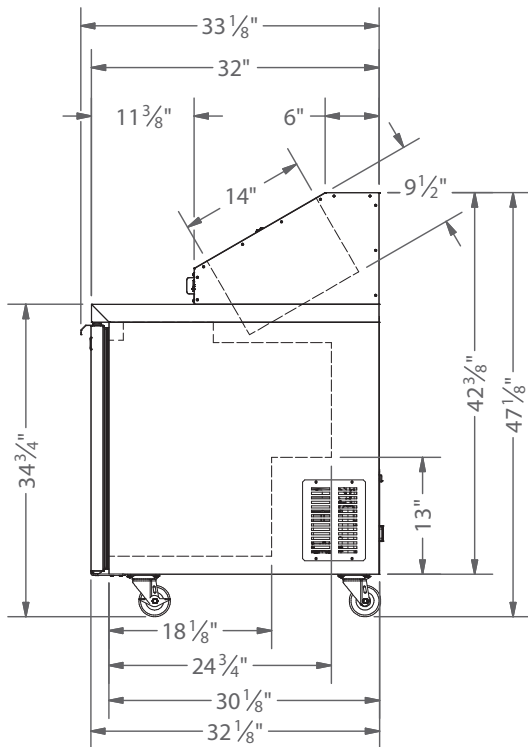
Nor-Lake, Inc.
 Registered to ISO 9001:2008
 File No. 10001816

ICE CREAM TOPPING FREEZER

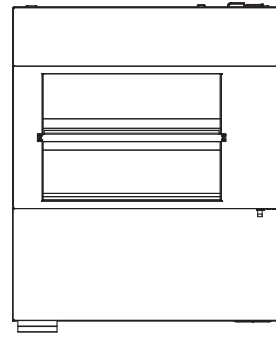
* Most options are available two weeks from receipt of order. Please contact us for specific questions.
 ** C-UL is Underwriters Laboratories Safety Certification Mark, which indicates that UL has tested the equipment to applicable CSA Standards.
 ** UL Sanitation is Underwriters Laboratories Safety Certification Mark, which indicates that UL has tested the equipment to applicable NSF Standards.



FRONT VIEW



SIDE VIEW



TOP VIEW

SPECIFICATIONS

Model	ZF071
Crated Weight (lbs) (kg)	225 (101)
Crated Height (in) (cm)	47 (118)
Crated Width (in) (cm)	33-1/4 (83)
Crated Depth (in) (cm)	36 (90)
Interior Height (in) (cm)	26 (65)
Interior Width (in) (cm)	24 (60)
Interior Depth (in) (cm)	24-3/4 (62)
Overall Height* (in) (cm)	47-1/8 (118)
Overall Width (in) (cm)	27-1/2 (69)
Overall Depth (in) (cm)	33-1/8 (83)
Gross Cubage (CuFt) (L)	7.0 (198)
Number of Shelves	1
Shelf Area (SqFt) (Sqm)	7.1 (0.66)
Number of Casters	4
Condensing Unit Size	3/8 HP
Refrigerant	R-404a
Electrical Characteristics	115/60/1
Cord and Plug Furnished	Yes
NEMA Plug Configuration	5-15P
Total Amp Draw	8.3

Specifications subject to change without notice.

*The overall height shown is with casters. With legs, the overall height is 48-1/2".



Revision Date: 02/15
 © 2015 NOR-LAKE, INC.
 Printed in the U.S.A.
 Part Number: 101646

