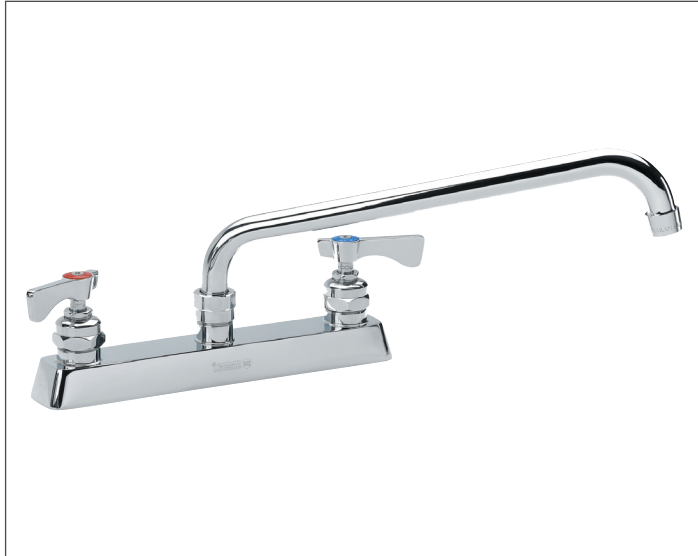




ROYAL SERIES PLUMBING 8" CENTER DECK MOUNT FAUCETS

MODEL: _____ PROJECT: _____ ITEM #: _____ QTY: _____

PRODUCT IMAGE



15-512L SHOWN

**15-5XXL SERIES ONLY AVAILABLE IN
LOW LEAD COMPLIANT MODELS**

STANDARD FEATURES

- 1/4 turn high performance ceramic cartridge valve with built-in back flow preventers
- Heavy-Duty solid brass spout with double O-Ring construction and welded shoulder for durability
- High precision machining and polished nickel chromium finish
- Color-coded handles
- Optional wrist blade handles available
- Full replacement parts available
- 1 Year Warranty
- **Low Lead Compliance**
All models meet California AB-1953 and Vermont S152 standards

SPECIFICATIONS

- 8" on center deck mount with 1/2" NPT male inlets
- Rough in: Two 7/8" round holes on 8" centers
- Temperature Range: 40°F to 180°F
- Flow rate: 2 GPM max
- Shipping weight: 5 lbs.



APPROVED BY:

CERTIFICATIONS:

Due to our commitment to continued product improvement, specifications are subject to change without notice.

Printed in the USA

Krowne Metal Corporation

100 Haul Rd. Wayne, NJ 07470 • Toll Free: (800) 631-0442 • Fax: (973) 872-1129
sales@krowne.com • www.krowne.com • www.facebook.com/KrowneMetal • www.twitter.com/KrowneMetal

KaTom Restaurant Supply, Inc.

Rev. 05/2012
No. 15-5XXL



ROYAL SERIES PLUMBING

8" CENTER DECK MOUNT FAUCETS

MODEL: _____ PROJECT: _____ ITEM #: _____ QTY: _____

MODELS

STANDARD SPOUTS

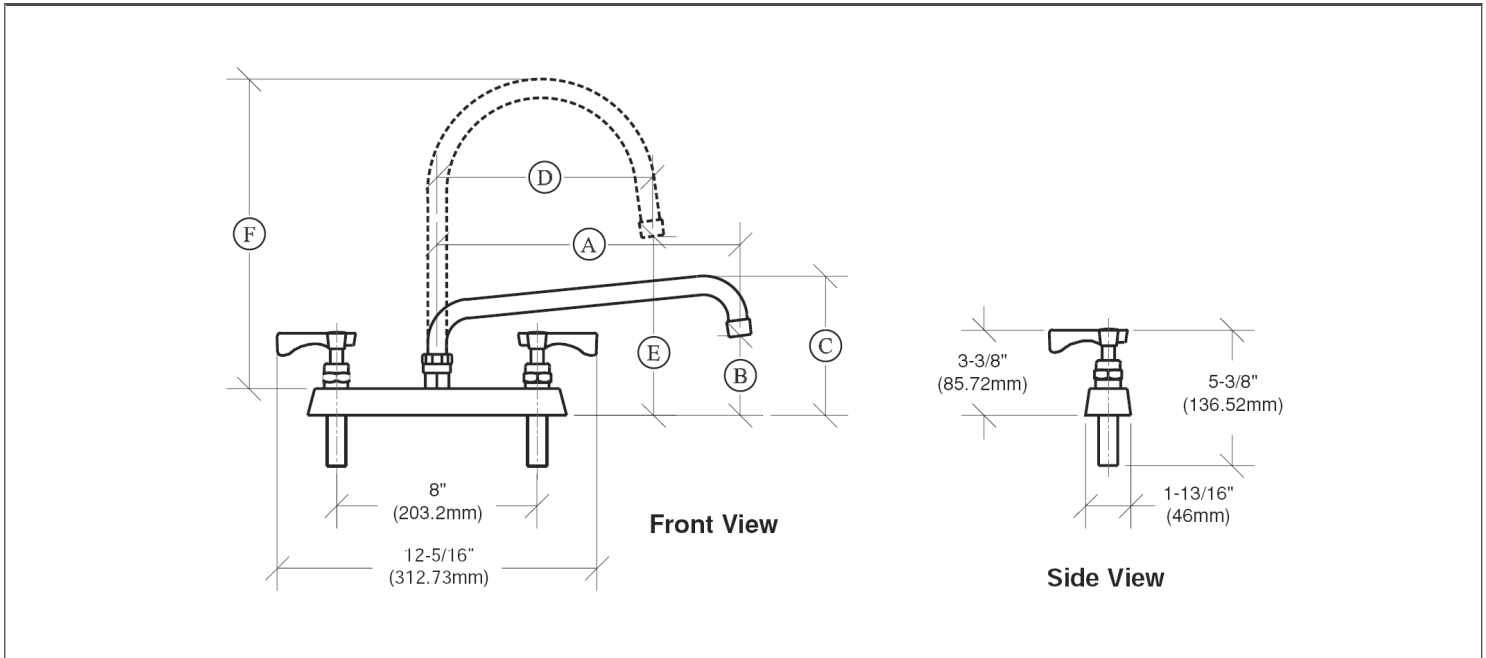
Model Numbers	Ⓐ	Ⓑ	Ⓒ
15-506L	6"	2 1/2"	5"
15-508L	8"	2 1/2"	5"
15-510L	10"	2 3/4"	5 1/4"
15-512L	12"	3 1/4"	5 3/4"
15-514L	14"	3 5/8"	6 1/8"
15-516L	16"	4 5/8"	7 1/8"
15-5XXL*	N/A	N/A	N/A

GOOSENECK SPOUTS

Model Numbers	Ⓓ	Ⓔ	Ⓕ
15-525L	3 1/2"	5 7/8"	8 1/2"
15-501L	6"	6"	10"
15-502L	8 1/2"	7 5/8"	13"

*Base Model - Does not come with spout

DRAWING



APPROVED BY:

Due to our commitment to continued product improvement, specifications are subject to change without notice.

CERTIFICATIONS:

Printed in the USA

Krowne Metal Corporation

100 Haul Rd. Wayne, NJ 07470 • Toll Free: (800) 631-0442 • Fax: (973) 872-1129
 sales@krowne.com • www.krowne.com • www.facebook.com/KrowneMetal • www.twitter.com/KrowneMetal

Rev. 05/2012
 No. 15-5XXL

KaTom Restaurant Supply, Inc.