



# ROYAL SERIES PLUMBING DECK MOUNT GLASS FILLER FAUCET

MODEL: **16-135L** PROJECT: \_\_\_\_\_ ITEM #: \_\_\_\_\_ QTY: \_\_\_\_\_

## PRODUCT IMAGE



16-135L SHOWN

**16-135L ONLY AVAILABLE IN  
LOW LEAD COMPLIANT MODEL**

## STANDARD FEATURES

- Continuous on position latch for filling pitchers
- Push-back water activation
- **Low Lead Compliance**  
Meets California AB-1953 and Vermont S152 standards

## SPECIFICATIONS

- 8" high from deck to spout tip
- Single hole deck mount with 1/2" NPT male inlets
- Rough in: 7/8" round hole
- Shipping weight: 3 lbs.
- Quantity per case: 12



### APPROVED BY:

### CERTIFICATIONS:

Due to our commitment to continued product improvement, specifications are subject to change without notice.

Printed in the USA

**Krowne Metal Corporation**

100 Haul Rd. Wayne, NJ 07470 • Toll Free: (800) 631-0442 • Fax: (973) 872-1129  
sales@krowne.com • www.krowne.com • www.facebook.com/KrowneMetal • www.twitter.com/KrowneMetal

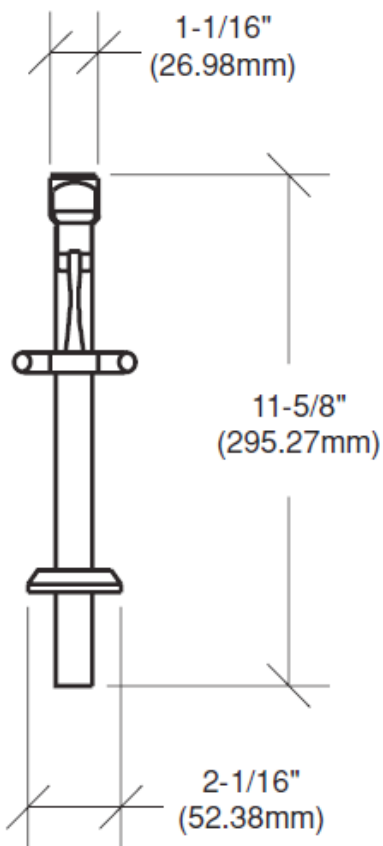
Rev. 09/2011  
No. 16-135L



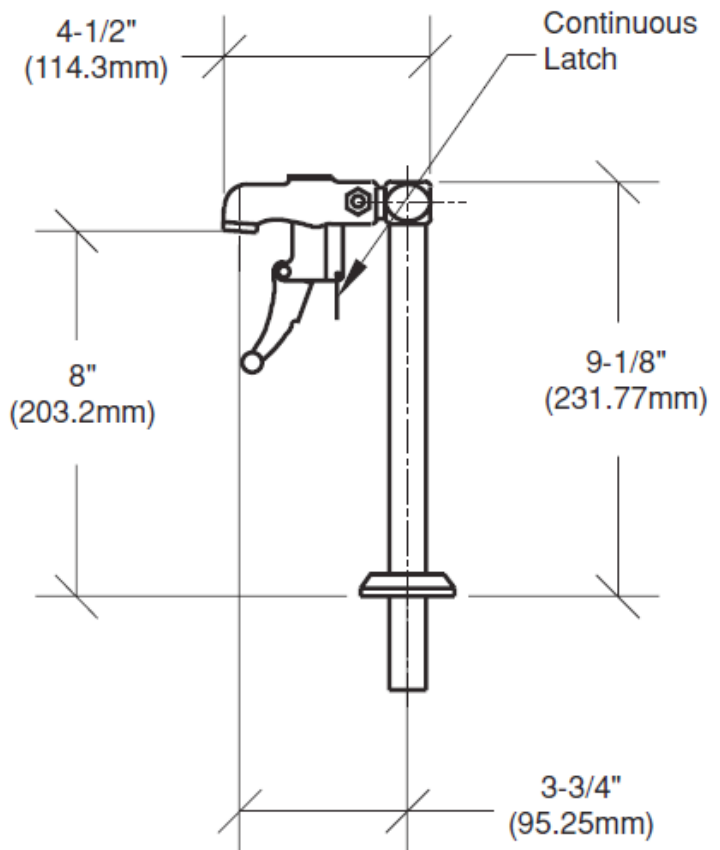
# ROYAL SERIES PLUMBING DECK MOUNT GLASS FILLER FAUCET

MODEL: **16-135L** PROJECT: \_\_\_\_\_ ITEM #: \_\_\_\_\_ QTY: \_\_\_\_\_

## DRAWING



**Front View**



**Side View**



### APPROVED BY:

### CERTIFICATIONS:

Due to our commitment to continued product improvement, specifications are subject to change without notice.