



ROYAL SERIES PLUMBING SINGLE SWIVEL DECK MOUNT FAUCET

MODEL: **16-152L** PROJECT: _____ ITEM #: _____ QTY: _____

PRODUCT IMAGE



16-152L SHOWN

**16-152L ONLY AVAILABLE IN
LOW LEAD COMPLIANT MODEL**

STANDARD FEATURES

- 1/4 turn high performance ceramic cartridge valve with built-in back flow preventers
- Cross handle shut-off with swivel spout
- Full replacement parts available
- 1 Year Warranty
- **Low Lead Compliance**
Meets California AB-1953 and Vermont S152 standards

SPECIFICATIONS

- Single hole deck mount with 1/2" NPT male inlet
- Rough in: Single 7/8" round hole
- Temperature Range: 40°F to 180°F
- Flow rate: 2 GPM max
- Shipping weight: 3 lbs.



APPROVED BY:

CERTIFICATIONS:

Due to our commitment to continued product improvement, specifications are subject to change without notice.

Printed in the USA

Krowne Metal Corporation

100 Haul Rd. Wayne, NJ 07470 • Toll Free: (800) 631-0442 • Fax: (973) 872-1129
sales@krowne.com • www.krowne.com • www.facebook.com/KrowneMetal • www.twitter.com/KrowneMetal

KaTom Restaurant Supply, Inc.

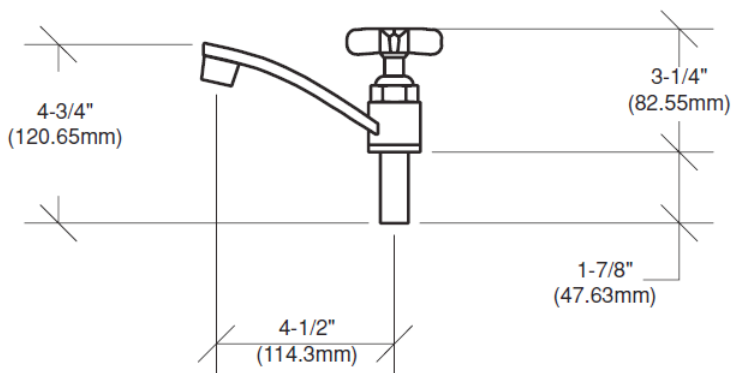
Rev. 09/2011
No. 16-152L



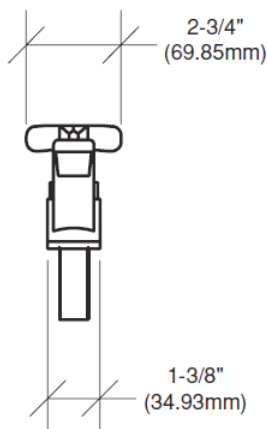
ROYAL SERIES PLUMBING SINGLE SWIVEL DECK MOUNT FAUCET

MODEL: **16-152L** PROJECT: _____ ITEM #: _____ QTY: _____

DRAWING



Side View



Front View



APPROVED BY:

CERTIFICATIONS:

Due to our commitment to continued product improvement, specifications are subject to change without notice.

Printed in the USA

Krowne Metal Corporation

100 Haul Rd. Wayne, NJ 07470 • Toll Free: (800) 631-0442 • Fax: (973) 872-1129
sales@krowne.com • www.krowne.com • www.facebook.com/KrowneMetal • www.twitter.com/KrowneMetal
KaTom Restaurant Supply, Inc.

Rev. 09/2011
No. 16-152L