



# ROYAL SERIES PLUMBING DECK MOUNT PANTRY FAUCETS

MODEL: \_\_\_\_\_ PROJECT: \_\_\_\_\_ ITEM #: \_\_\_\_\_ QTY: \_\_\_\_\_

## PRODUCT IMAGE



16-306L SHOWN

**16-3XXL SERIES ONLY AVAILABLE IN  
LOW LEAD COMPLIANT MODELS**

## STANDARD FEATURES

- 1/4 turn high performance ceramic cartridge valve with built-in back flow preventers
- Heavy-Duty solid brass spout with double O-Ring construction and welded shoulder for durability
- High precision machining and polished nickel chromium finish
- Full replacement parts available
- Mounting kit included
- 1 Year Warranty
- **Low Lead Compliance**  
All models meet California AB-1953 and Vermont S152 standards

## SPECIFICATIONS

- Single hole deck mount with 1/2" NPT male inlet with 1/4" NPT fitting
- 1 1/8" OD x 2 1/4" shank
- Rough in: Single 1 1/8" round hole
- Temperature Range: 40°F to 180°F
- Flow rate: 2 GPM max
- Shipping weight: 6 lbs.



### APPROVED BY:

### CERTIFICATIONS:

Due to our commitment to continued product improvement, specifications are subject to change without notice.

Printed in the USA

**Krowne Metal Corporation**

100 Haul Rd. Wayne, NJ 07470 • Toll Free: (800) 631-0442 • Fax: (973) 872-1129  
sales@krowne.com • www.krowne.com • www.facebook.com/KrowneMetal • www.twitter.com/KrowneMetal

KaTom Restaurant Supply, Inc.

Rev. 05/2012  
No. 16-3XXL



# ROYAL SERIES PLUMBING DECK MOUNT PANTRY FAUCETS

MODEL: \_\_\_\_\_ PROJECT: \_\_\_\_\_ ITEM #: \_\_\_\_\_ QTY: \_\_\_\_\_

## MODELS

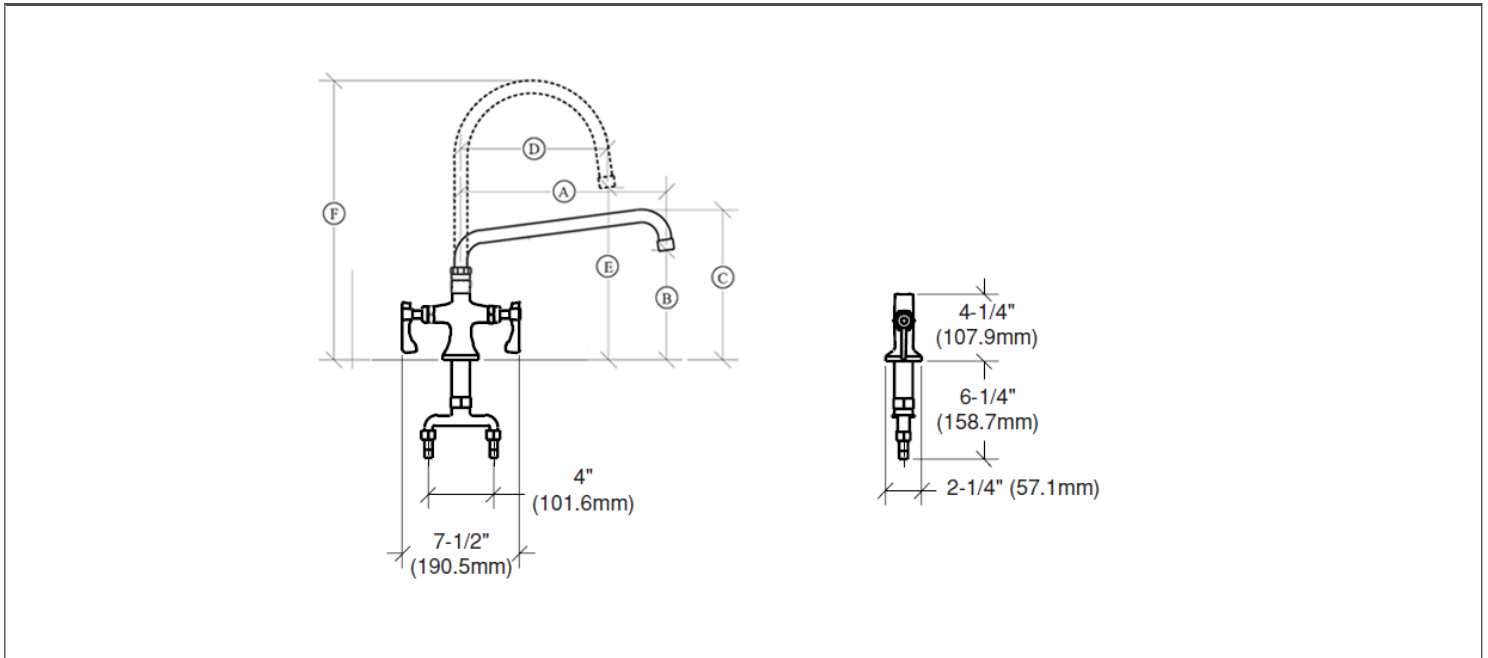
### STANDARD SPOUTS

Model Numbers	Ⓐ	Ⓑ	Ⓒ
16-306L	6"	6 1/4"	8 1/2"
16-312L	12"	6 1/2"	8 3/4"

### GOOSENECK SPOUTS

Model Numbers	Ⓓ	Ⓔ	Ⓕ
16-301L	6"	9 3/4"	13 1/4"
16-302L	8 1/2"	12 3/4"	16 1/4"

## DRAWING



### APPROVED BY:

Due to our commitment to continued product improvement, specifications are subject to change without notice.

### CERTIFICATIONS:

Printed in the USA

### Krowne Metal Corporation

100 Haul Rd. Wayne, NJ 07470 • Toll Free: (800) 631-0442 • Fax: (973) 872-1129  
 sales@krowne.com • www.krowne.com • www.facebook.com/KrowneMetal • www.twitter.com/KrowneMetal

KaTom Restaurant Supply, Inc.

Rev. 05/2012  
 No. 16-3XXL