

# REFRIGERATION SLIDE TOP BOTTLE COOLERS

MODEL: \_\_\_\_\_ PROJECT: \_\_\_\_\_ ITEM #: \_\_\_\_\_ QTY: \_\_\_\_\_

## PRODUCT IMAGE



BC48-BG SHOWN

**AVAILABLE IN BLACK VINYL OR  
STAINLESS STEEL FINISH**

## OPTIONAL ACCESSORIES

- **BC-100** LED Light Kit
- **BC-101** Four 3" Casters with Brakes
- **BC-102** Six 3" Casters with Brakes
- **BC-536** Wire Partition (Extra)
- **BC-111** Bottle Opener and Cap Catcher
- **BC-619** Door Locks (Specify # of Doors)

## STANDARD FEATURES

- **Electrical**  
115 V, 1 Phase, 60 Hz. Furnished with 8'-0" plug-in cord, which exits left rear of cooler. NEMA 5-15P Plug Configuration. Dedicated 15 amp circuit recommended.
- **Refrigeration**  
Self-contained 1/3 HP 134A Refrigerant. 30°F-40°F operating range  
24" & 36" Units: Self-contained 1/5 HP 134A Refrigerant. 30°F-40°F operating range
- **Interior**  
Interior Floor: 20 gauge stainless steel  
Interior Walls  
BG Models 24" & 36": 20 gauge stainless steel  
BG Models 48, 72, 96": 20 gauge galvanized steel  
SS Models: 20 gauge stainless steel  
Partitions: Adjustable, chrome plated
- **Exterior**  
BG Models - Front & Sides: 20 gauge black vinyl  
All Models - Back: 20 gauge galvanized steel  
SS Models - Front & Sides: 20 gauge stainless steel
- **Doors**  
Heavy-Duty foamed-in-place with rugged grab bar handle and optional locks
- **Insulation**  
2" thick foamed-in-place polyurethane
- **Plumbing**  
No drain connection required.  
Condensate evaporator pan included
- **IMPORTANT NOTE:**  
**DO NOT PLUG INTO GFI OUTLET**

*\* This equipment is intended for the storage and display of non-potentially-hazardous bottle or canned products only \**



**APPROVED BY:**

**CERTIFICATIONS:**

Due to our commitment to continued product improvement, specifications are subject to change without notice.

Printed in the USA

**Krowne Metal Corporation**

100 Haul Rd. Wayne, NJ 07470 • Toll Free: (800) 631-0442 • Fax: (973) 872-1129  
sales@krowne.com • www.krowne.com • www.facebook.com/KrowneMetal • www.twitter.com/KrowneMetal

Rev. 01/2013  
No. 1.1

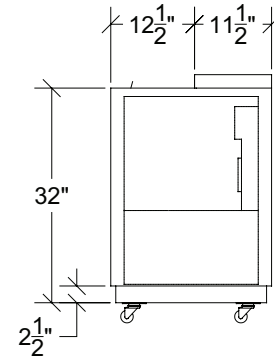
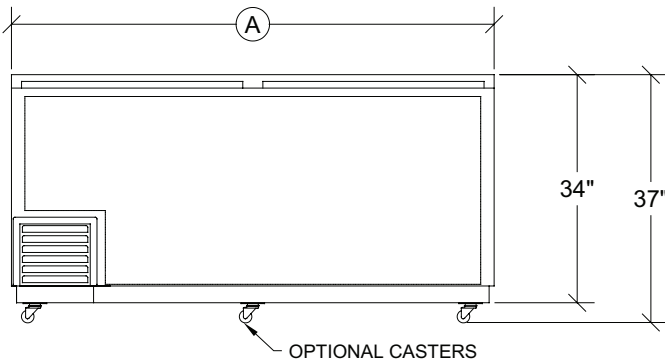
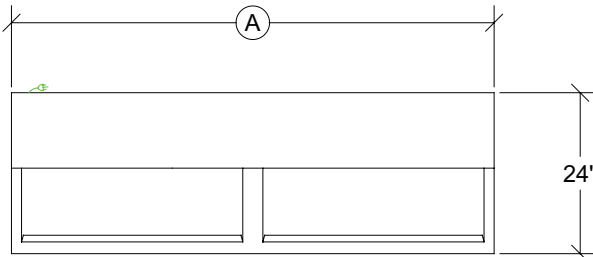
# REFRIGERATION

## SLIDE TOP BOTTLE COOLERS

MODEL: \_\_\_\_\_ PROJECT: \_\_\_\_\_ ITEM #: \_\_\_\_\_ QTY: \_\_\_\_\_

### SLIDE TOP BOTTLE COOLERS

**NOTE:** Add 3" to overall height for units with casters



Model Numbers	Overall Length A	Doors	Exterior Finish (Front & Sides)	Interior Sides	Divider Racks	Case Capacity (12 oz. Bottles)	HP	Full Load Amps	Weight (lbs.)
BC24-BG	2'-0"	1	Black Vinyl	Stainless Steel	1	5	1/5	4.0	204
BC24-SS	2'-0"	1	Stainless Steel	Stainless Steel	1	5	1/5	4.0	204
BC36-BG	3'-0"	1	Black Vinyl	Stainless Steel	2	8	1/5	4.0	220
BC36-SS	3'-0"	1	Stainless Steel	Stainless Steel	2	8	1/5	4.0	220
BC48-BG	4'-0"	2	Black Vinyl	Galvanized Steel	3	14 1/2	1/3	5.5	300
BC48-SS	4'-0"	2	Stainless Steel	Stainless Steel	3	14 1/2	1/3	5.5	300
BC72-BG	6'-0"	2	Black Vinyl	Galvanized Steel	4	25 1/2	1/3	6.0	405
BC72-SS	6'-0"	2	Stainless Steel	Stainless Steel	4	25 1/2	1/3	6.0	405
BC96-BG	8'-0"	3	Black Vinyl	Galvanized Steel	5	35 1/2	1/3	6.6	500
BC96-SS	8'-0"	3	Stainless Steel	Stainless Steel	5	35 1/2	1/3	6.6	500

**NOTE:** All units come with Stainless Steel Interior Floor



**APPROVED BY:**

**CERTIFICATIONS:**

Due to our commitment to continued product improvement, specifications are subject to change without notice.