

BACK BAR STORAGE DRY STORAGE BACK BAR CABINETS

MODEL: _____ PROJECT: _____ ITEM #: _____ QTY: _____

PRODUCT IMAGE



BD48-SSS-LR SHOWN with
OPTIONAL 1" TOP and KICK PLATES

AVAILABLE IN 24", 48" & 72" SIZES

STANDARD FEATURES

- **Top**
18 gauge galvanized sub top
Optional 20 gauge stainless steel top
- **Sides**
20 gauge stainless steel
- **Doors**
Black vinyl or 20 gauge stainless steel (foamed-in-place)
- **Back and Bottom**
20 gauge galvanized back. 18 gauge galvanized bottom
- **Interior**
24" Model: 20 gauge galvanized steel
48" & 72" Models: 20 gauge stainless steel
Two adjustable epoxy coated shelves and floor rack per door
- **Exterior**
Black Vinyl Clad Models: 20 gauge stainless steel
Stainless Steel Models: 20 gauge stainless steel
- **Insulation**
2" thick foamed-in-place polyurethane

OPTIONAL ACCESSORIES

- **BS-100** Four 6" Stainless Steel Legs
- **BS-101** Six 6" Stainless Steel Legs (72" model)
- **BS-102** Four 4" Stainless Steel Legs
- **BS-103** Six 4" Stainless Steel Legs (72" model)
- **BS-106** Left Side Stainless Steel Kick Plate
- **BS-107** Right Side Stainless Steel Kick Plate
- **BS-124** 24" Stainless Steel Front Kick Plate
- **BS-148** 48" Stainless Steel Front Kick Plate
- **BS-172** 72" Stainless Steel Front Kick Plate
- **BC-130** Four 1" Ultra Low profile casters with Brakes
- **BC-131** Six 1" Ultra Low profile casters with Brakes (72" model)
- **BC-132** Four 2" Low profile casters with Brakes
- **BC-133** Six 2" Low profile casters with Brakes (72" model)
- **BC-134** Four 3" casters with Brakes
- **BC-135** Six 3" casters with Brakes (72" model)

APPROVED BY:

CERTIFICATIONS:

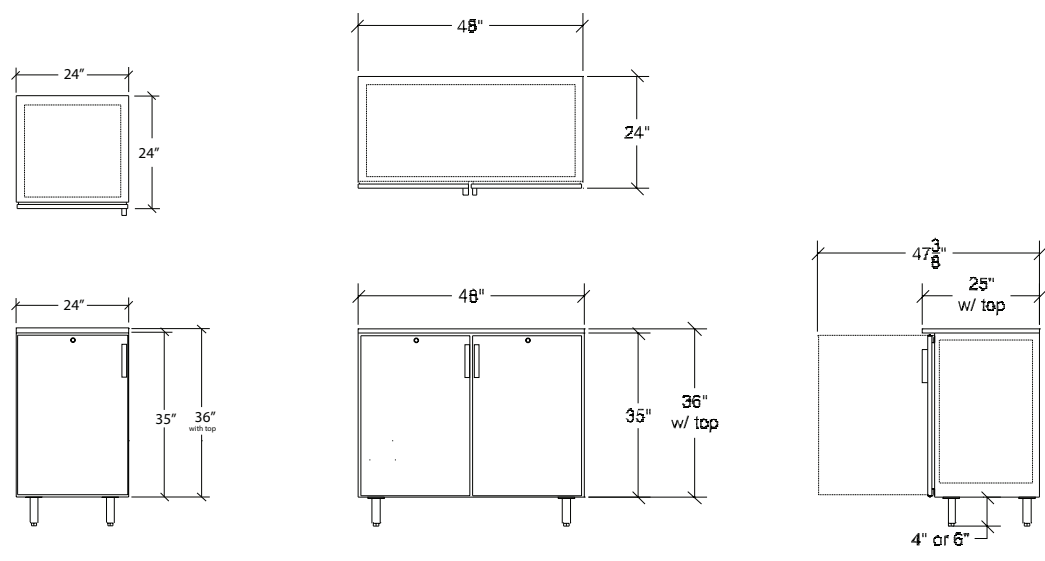
Due to our commitment to continued product improvement, specifications are subject to change without notice.

REFRIGERATION

DRY STORAGE BACK BAR CABINETS

MODEL: _____ PROJECT: _____ ITEM #: _____ QTY: _____

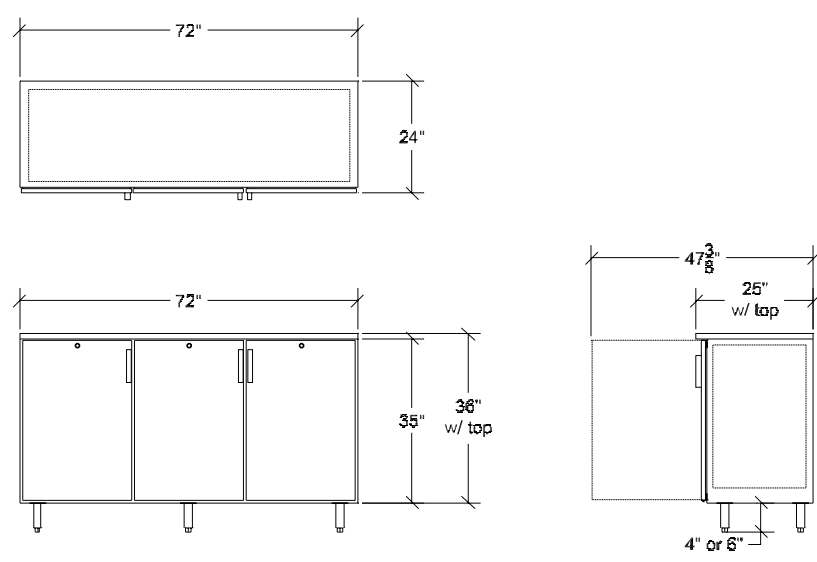
ONE DOOR (24") or TWO DOOR (48")



BD24
120 lbs.
140 lbs. with Top

BD48
260 lbs.
280 lbs. with Top

THREE DOOR (72")



375 lbs.
400 lbs. with Top

Note: Optional casters raise height 1" higher than wheel size
Note: Optional 4" or 6" legs available

APPROVED BY:

CERTIFICATIONS:

Due to our commitment to continued product improvement, specifications are subject to change without notice.