



STANDARD SERIES UNDERBAR DROP-IN ICE BINS / MOBILE ICE BIN

MODEL: _____ PROJECT: _____ ITEM #: _____ QTY: _____

PRODUCT IMAGES



D2712 & D278 SHOWN

AVAILABLE IN MEDIUM OR LARGE

DROP-IN ICE BINS STANDARD FEATURES

- **Ice Bin Interior**
20 gauge stainless steel
- **Cold Plate**
Cast aluminum post mix cold plate with seven circuits. Each circuit is 5/16" OD stainless steel tubing. Two full with remainder to be half circuits. Bump and swedge fittings on ends.
- **Sliding Cover**
Two piece 20 gauge stainless steel
- **Plumbing**
Cold Plate: 1/2" IPS drain connection
No Cold Plate: 1" IPS drain connection

PRODUCT IMAGES



MB-1830 SHOWN

MOBILE ICE BIN STANDARD FEATURES

- **Ice Bin Interior**
20 gauge stainless steel. 12" deep bin
- **Front Apron**
20 gauge stainless steel
- **Sides**
20 gauge stainless steel
- **Plumbing**
1" IPS drain connection with shut-off
- **Optional Cover**
MB-SC: Sliding cover for mobile ice bin



CERTIFICATIONS:

APPROVED BY:

Due to our commitment to continued product improvement, specifications are subject to change without notice.

Printed in the USA

Krowne Metal Corporation

100 Haul Rd. Wayne, NJ 07470 • Toll Free: (800) 631-0442 • Fax: (973) 872-1129
sales@krowne.com • www.krowne.com • www.facebook.com/KrowneMetal • www.twitter.com/KrowneMetal

KaTom Restaurant Supply, Inc.

Rev. 04/2013
No. 3.2

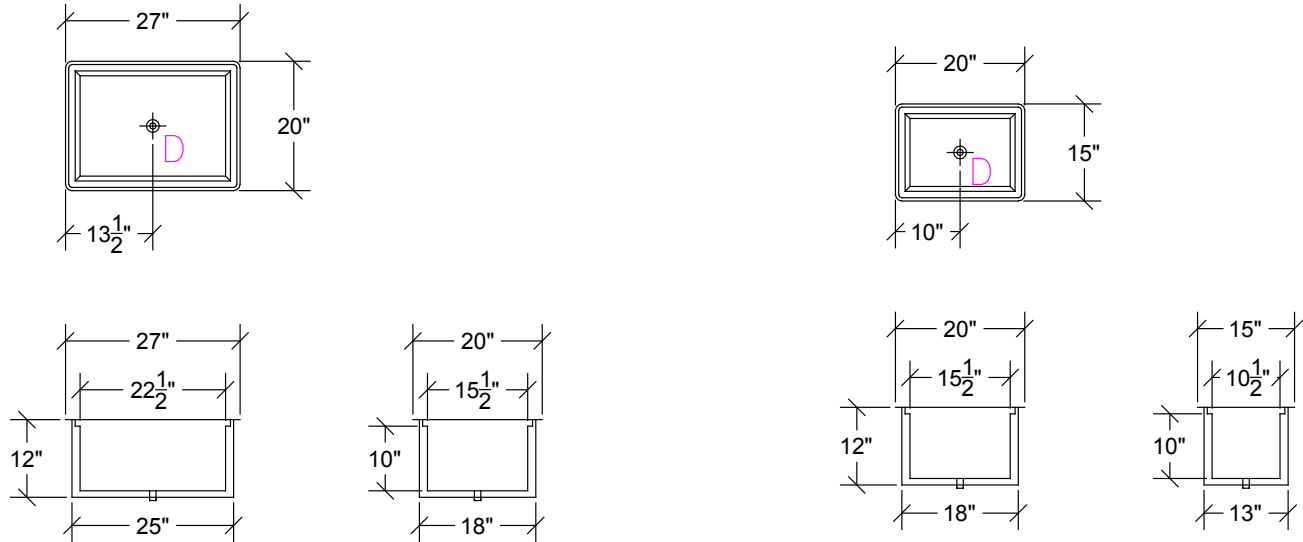


STANDARD SERIES UNDERBAR DROP-IN ICE BINS / MOBILE ICE BIN

MODEL: _____ PROJECT: _____ ITEM #: _____ QTY: _____

LARGE DROP-IN ICE BIN

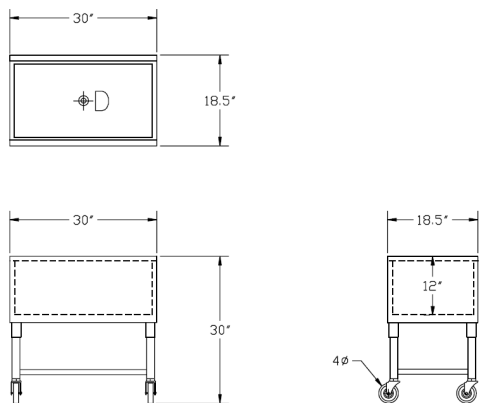
MEDIUM DROP-IN ICE BIN



Model Numbers	Length	Width	Liner Depth Ⓐ	Overall Depth Ⓑ	Cold Plate Circuits	Ice Capacity (lbs.)	Cutout Size	Weight (lbs.)
D2712	27"	20"	10"	12"	N/A	73	25 1/4" x 18 1/4"	60
D2712-7	27"	20"	10"	15"	7	73	25 1/4" x 18 1/4"	95
D278	20"	15"	10"	12"	N/A	50	18 1/4" x 13 1/4"	35

MECHANICAL REQUIREMENTS: Cold Plate: 1/2" IPS drain connection. No Cold Plate: 1" IPS drain connection

MOBILE ICE BIN



Model Number	Length	Width	Depth	Ice Capacity (lbs.)	Weight (lbs.)
MB-1830	30"	18 1/2"	12"	97	60

MECHANICAL REQUIREMENTS: 1" IPS drain connection



APPROVED BY:

CERTIFICATIONS:

Due to our commitment to continued product improvement, specifications are subject to change without notice.

Printed in the USA

Krowne Metal Corporation

100 Haul Rd. Wayne, NJ 07470 • Toll Free: (800) 631-0442 • Fax: (973) 872-1129

sales@krowne.com • www.krowne.com • www.facebook.com/KrowneMetal • www.twitter.com/KrowneMetal

KaTom Restaurant Supply, Inc.

Rev. 04/2013
No. 3.2