



Model: \_\_\_\_\_ Item #: \_\_\_\_\_ Date: \_\_\_\_\_

Project: \_\_\_\_\_ Qty: \_\_\_\_\_ Approved By: \_\_\_\_\_

# Drop-In Sinks with 1-1/2" Drains

## DROP-IN SINKS

### Standard Features (applies to all models)

- Fabrication: 20 gauge stainless steel. All seams tig welded and polished.
- Bowl: High quality deep drawn
- Faucet & drain included
- Drain: Stainless steel 1-1/2" drain

### Optional Accesories

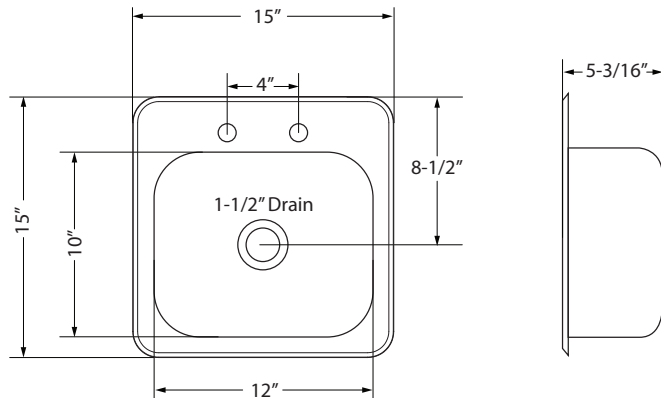
Model	Description
H-100	Chrome plated 1-1/2" IPS P-Trap
H-103	Wrist Handle Kit
H-109	Upgrade: Royal Series Faucet
H-200	Upgrade: Silver Series Faucet

### HS-1515 15" Drop-In Sink



#### Features

- Overall size:  
15"W x 15"L x 5-3/16"D
- Bowl size:  
12"W x 10"L x 5-3/16"D
- Faucet & drain included
- Weight: 6 lbs.

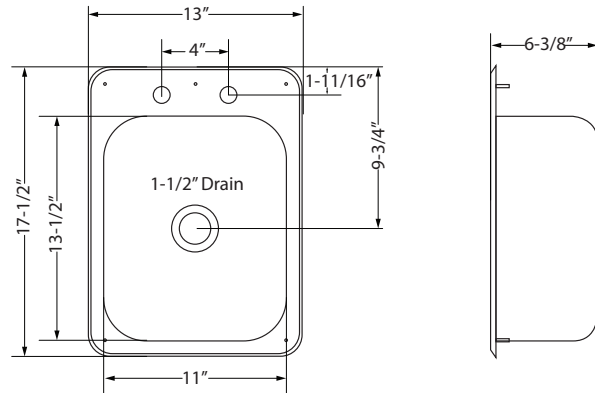


### HS-1317 13" Drop-In Sink



#### Features

- Overall size:  
13"W x 17-1/2"L x 6-3/8"D
- Bowl size:  
11"W x 13-1/2"L x 6-3/8"D
- Faucet & drain included
- Weight: 6 lbs.



### HS-2017 20-1/4" Drop-In Sink



#### Features

- Overall size:  
20-1/4"W x 17-7/8"L x 7-1/2"D
- Bowl size:  
17-7/8"W x 12-3/4"L x 7-1/2"D
- Faucet & drain included
- Weight: 8 lbs.

