

MODEL: \_\_\_\_\_ PROJECT: \_\_\_\_\_ ITEM #: \_\_\_\_\_ QTY: \_\_\_\_\_

### PRODUCT IMAGES

**HS-1419**



**HS-1220**



**HS-3819**



### STANDARD FEATURES

- **Fabrication**  
20 gauge stainless steel. All seams tig welded and polished
- **Bowl**  
High quality deep drawn
- **Wall Mounting Bracket**  
Offset design for added strength
- **Faucet**  
HS-1317 & HS-1515: 4" on center faucet with 3 1/2" gooseneck spout supplied (optional upgrade available)  
HS-2017: 4" on center faucet with 8 1/2" gooseneck spout supplied (optional upgrade available)
- **Drain**  
Stainless Steel 1 1/2" drain
- **Mounting**  
Studs with fasteners included
- **Plumbing**  
1/2" IPS hot and cold water. 1 1/2" IPS drain outlet
- **Low Lead Compliance**  
Low Lead Compliant faucet options are available to meet California AB-1953 and Vermont S152 standards

### OPTIONAL ACCESSORIES

- **H-100** Chrome Plated 1 1/2" IPS P-Trap
- **H-103** Wrist Handle Kit
- **H-109** Upgrade: Low Lead Royal Series Faucet
- **H-200** Upgrade: Low Lead Commercial Series Faucet



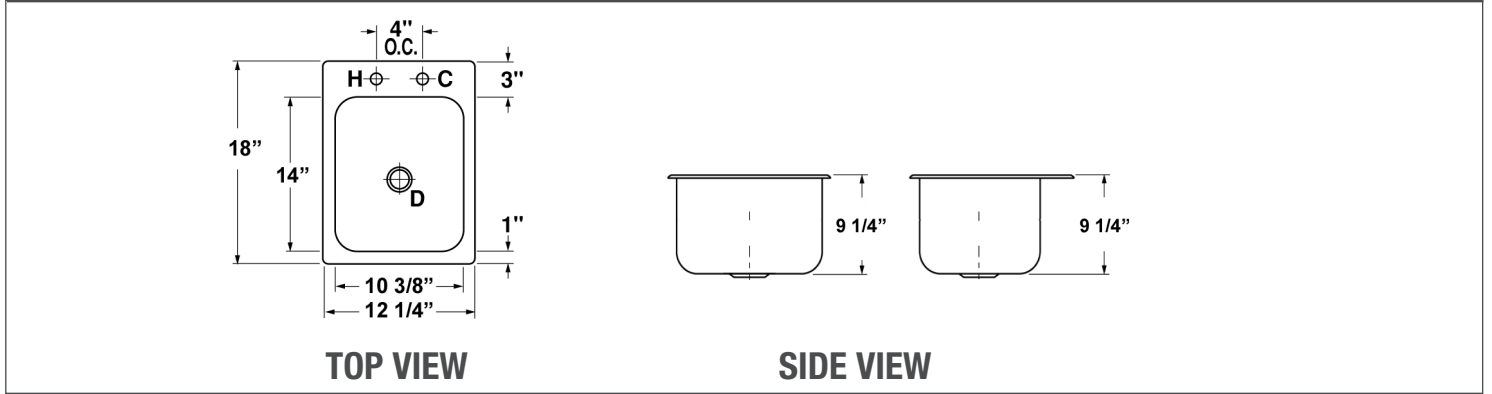
**CERTIFICATIONS:**

**APPROVED BY:**

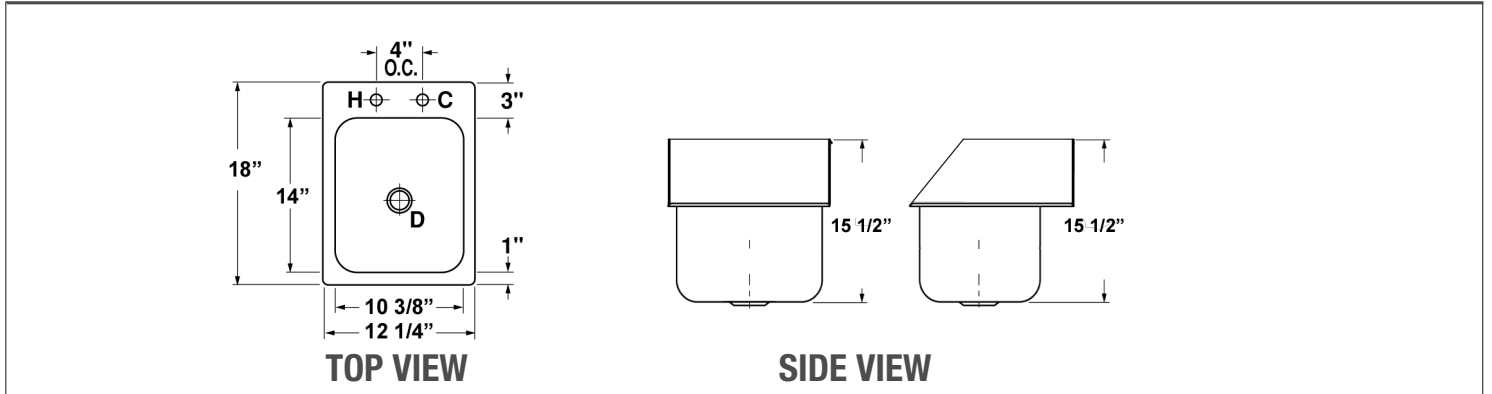
Due to our commitment to continued product improvement, specifications are subject to change without notice.

MODEL: \_\_\_\_\_ PROJECT: \_\_\_\_\_ ITEM #: \_\_\_\_\_ QTY: \_\_\_\_\_

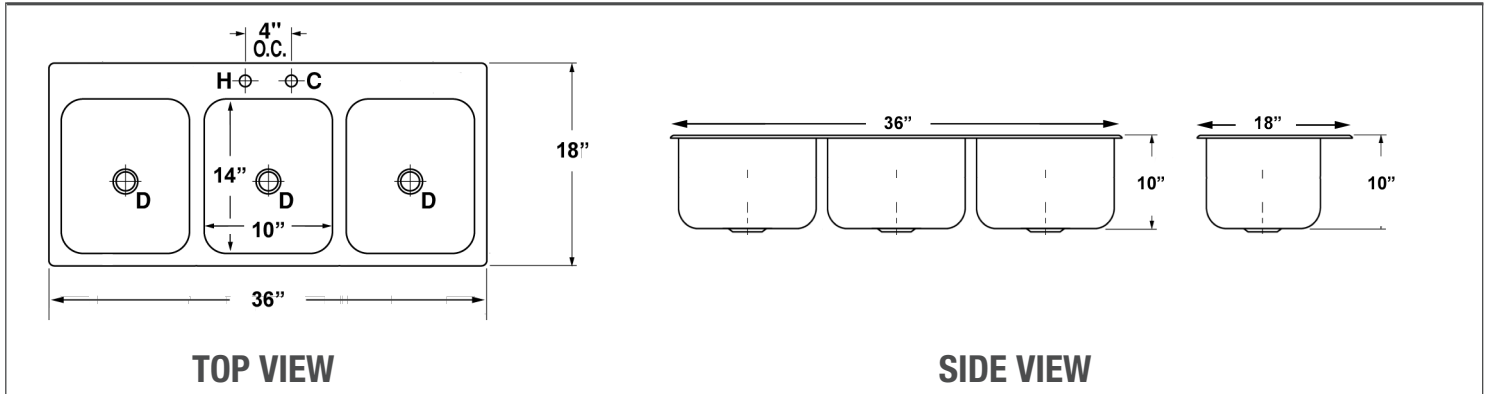
### HS-1419



### HS-1220



### HS-3819



**APPROVED BY:**

Due to our commitment to continued product improvement, specifications are subject to change without notice.

**CERTIFICATIONS:**

Printed in the USA

**Krowne Metal Corporation**

100 Haul Rd. Wayne, NJ 07470 • Toll Free: (800) 631-0442 • Fax: (973) 872-1129

sales@krowne.com • www.krowne.com • www.facebook.com/KrowneMetal • www.twitter.com/KrowneMetal

KaTom Restaurant Supply, Inc.

Rev. 09/2012  
 No. 2.4