



Model: _____ Item #: _____ Date: _____
 Project: _____ Qty: _____ Approved By: _____

Royal Series Hand Sinks

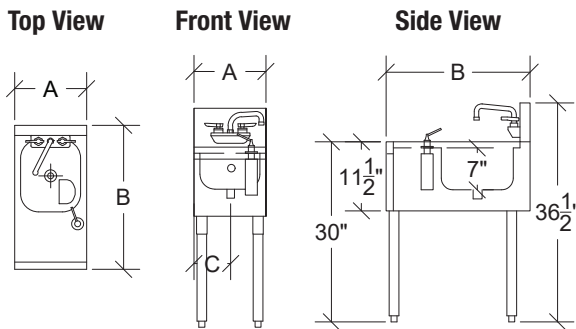
Royal Series Underbar



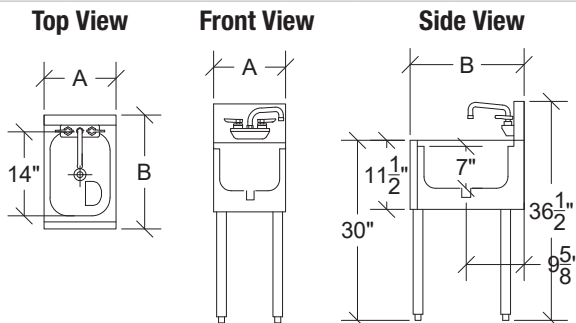
KR24-12ST Shown

Model Numbers	Bowl Size	Length (A)	Depth (B)	Left Side to Drain (C)	Soap & Towel Dispensers	Weight (lbs.)
KR24-12ST	10" x 12" x 7"	12"	24"	6"	✓	60
KR24-18ST	10" x 14" x 7"	18"	24"	9"	✓	70
KR24-1C	10" x 14" x 7"	12"	24"	6"	-	45

NOTE: KR24-12ST and KR24-18ST are 5" deeper (front to back) to match units with single speedrail at 24" depth.



Model Numbers	Bowl Size	Length (A)	Depth (B)	Left Side to Drain (C)	Soap & Towel Dispensers	Weight (lbs.)
KR19-18ST	10" x 14" x 7"	12"	19"	9"	✓	60
KR19-18WST	10" x 14" x 7"	18"	19"	9"	✓	49
KR19-1C	10" x 14" x 7"	12"	19"	6"	-	40



STANDARD FEATURES

Sink Bowl	20 gauge stainless steel. 10" x 14" x 10" deep sink bowl. Furnished with 1" IPS rear corner drain and 7 1/2" overflow pipe NOTE: KR24-12ST have 10" x 12" x 7" bowl
Front Apron	20 gauge stainless steel clad over 20 gauge galvanized steel
Backsplash	20 gauge stainless steel
Sides	20 gauge stainless steel
Back and Bottom	20 gauge galvanized steel
Legs	1-5/8" tubular 16 gauge stainless steel with grey plastic bullet foot
Plumbing	Hot/Cold Water: 1/2" IPS Drain: 1 1/2" IPS
Faucet	4" OC wall mount faucet with ceramic cartridge valves

OPTIONAL ACCESSORIES

21-443L	3/8" E-Z Install Wall Mount Faucet Water Line Kit
KR-310	Right End Splash for KR19
KR-311	Left End Splash for KR19
KR-303	Left and Right End Splash for KR19
KR-313	Right End Splash for KR24
KR-314	Left End Splash for KR24
KR-315	Left and Right Splash for KR24
KR-401	Cap Catcher and Opener
KR-501	Towel Ring
30-160	Perforated Dump Basket
KR-806	Upgrade: 6" Longer Stainless Steel Legs
16-670	Electronic Faucet
22-600L	0.5GPM Low Flow Aerator
21-311	Wrist Blade Handles



Conforms to NSF St. 2