



ROYAL SERIES UNDERBAR HAND SINKS

MODEL: _____ PROJECT: _____ ITEM #: _____ QTY: _____

PRODUCT IMAGES



KR18-18ST SHOWN

KR18-1C SHOWN

AVAILABLE IN 1800 or 2100 SERIES

OPTIONAL ACCESSORIES

- **KR-310** Right End Splash
- **KR-311** Left End Splash
- **KR-501** Towel Ring
- **30-160** Perforated Dump Basket

STANDARD FEATURES

- **Sink Bowl**
20 gauge stainless steel. 10" x 14" x 7" deep bowl with 1" IPS drain in center
NOTE: KR18-12DST and KR21-12DST have 10" x 12" x 7" bowl on 12" wide soap & towel
- **Front Apron**
20 gauge stainless steel clad over 20 gauge galvanized steel
- **Backsplash**
20 gauge stainless steel
- **Sides**
20 gauge stainless steel
- **Back and Bottom**
20 gauge galvanized steel
- **Legs**
1 5/8" tubular 16 gauge stainless steel with grey plastic bullet foot
- **Plumbing**
1/2" IPS hot and cold water. 1 1/2" IPS drain connection
- **Faucet**
4" OC wall or deck mount faucet with ceramic cartridge valves
- **Low Lead Compliance**
Low Lead Compliant faucets meet California AB-1953 and Vermont S152 standards



CERTIFICATIONS:

APPROVED BY:

Due to our commitment to continued product improvement, specifications are subject to change without notice.

Printed in the USA

Krowne Metal Corporation

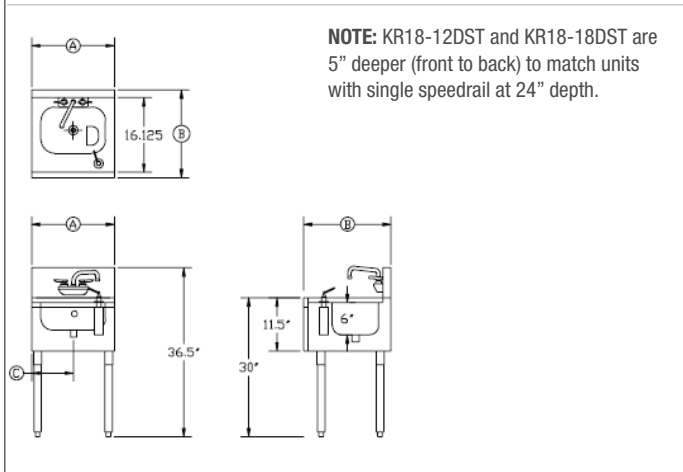
100 Haul Rd. Wayne, NJ 07470 • Toll Free: (800) 631-0442 • Fax: (973) 872-1129
sales@krowne.com • www.krowne.com • www.facebook.com/KrowneMetal • www.twitter.com/KrowneMetal

Rev. 08/2015
No. 5.26

MODEL: _____ PROJECT: _____ ITEM #: _____ QTY: _____

1800 SERIES: SOAP & TOWEL HAND SINK

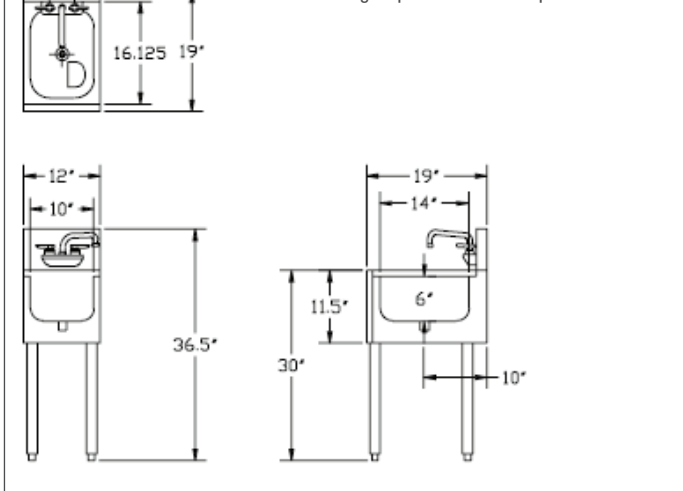
Model Numbers	Bowl Size	Length Ⓐ	Depth Ⓑ	Left Side to Drain Ⓒ	Weight (lbs.)
KR18-12DST	10" x 12" x 7"	1'-0"	24"	6"	60
KR18-18DST	10" x 14" x 7"	1'-6"	24"	9"	60
KR18-18ST	10" x 14" x 7"	1'-6"	19"	9"	60
KR18-18WST	10" x 14" x 7"	1'-6"	19"	9"	49



1800 SERIES: BASIC HAND SINK

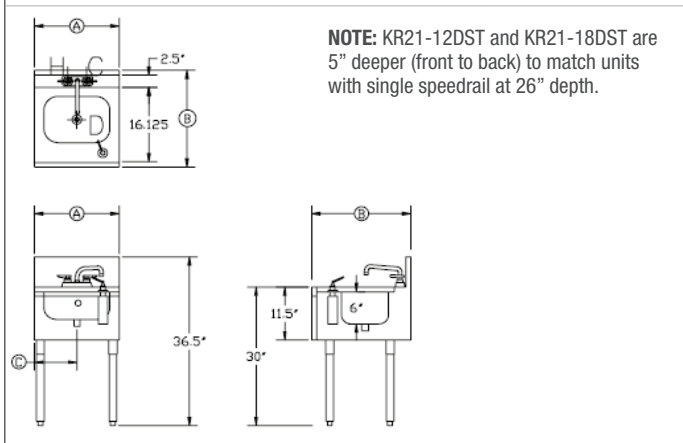
Model Numbers	Length Ⓐ	Left Side to Drain Ⓑ	Weight (lbs.)
KR18-1C	1'-0"	6"	42
KR18-1CD	1'-0"	6"	45

NOTE: KR18-1CD is 5" deeper (front to back) to match units with single speedrail at 24" depth.



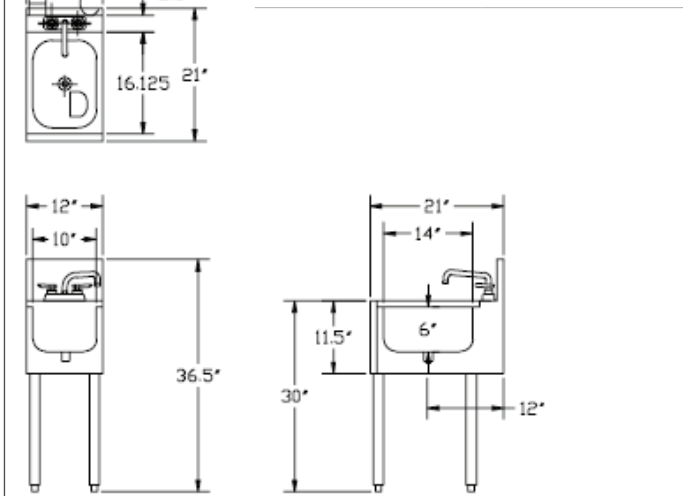
2100 SERIES: SOAP & TOWEL HAND SINK

Model Numbers	Bowl Size	Length Ⓐ	Depth Ⓑ	Left Side to Drain Ⓒ	Weight (lbs.)
KR21-12DST	10" x 12" x 7"	1'-0"	26"	6"	60
KR21-18DST	10" x 14" x 7"	1'-6"	26"	9"	60
KR21-18ST	10" x 14" x 7"	1'-6"	21"	9"	60



2100 SERIES: BASIC HAND SINK

Model Numbers	Length Ⓐ	Left Side to Drain Ⓑ	Weight (lbs.)
KR21-1C	1'-0"	6"	42



APPROVED BY:

Due to our commitment to continued product improvement, specifications are subject to change without notice.

CERTIFICATIONS:

Printed in the USA

Krowne Metal Corporation

100 Haul Rd. Wayne, NJ 07470 • Toll Free: (800) 631-0442 • Fax: (973) 872-1129

sales@krowne.com • www.krowne.com • www.facebook.com/KrowneMetal • www.twitter.com/KrowneMetal

Rev. 08/2015
No. 5.26