



# ROYAL SERIES UNDERBAR REAR CORNER DRAINBOARDS

MODEL: \_\_\_\_\_ PROJECT: \_\_\_\_\_ ITEM #: \_\_\_\_\_ QTY: \_\_\_\_\_

## PRODUCT IMAGE



KR18-DRC90 SHOWN

**AVAILABLE IN 1800 or 2100 SERIES**

## STANDARD FEATURES

- **Drainboard**  
20 gauge embossed stainless steel reinforced with welded braces every 6 inches.  $\frac{3}{4}$ " radius on all vertical and horizontal edges
- **Front Apron**  
20 gauge stainless steel clad over 20 gauge galvanized steel
- **Sides**  
20 gauge stainless steel
- **Backsplash**  
20 gauge stainless steel
- **Back and Bottom**  
20 gauge stainless steel
- **Plumbing**  
1" IPS drain connection



**CERTIFICATIONS:**

**APPROVED BY:**

Due to our commitment to continued product improvement, specifications are subject to change without notice.

Printed in the USA

**Krowne Metal Corporation**

100 Haul Rd. Wayne, NJ 07470 • Toll Free: (800) 631-0442 • Fax: (973) 872-1129  
sales@krowne.com • www.krowne.com • www.facebook.com/KrowneMetal • www.twitter.com/KrowneMetal

KaTom Restaurant Supply, Inc.

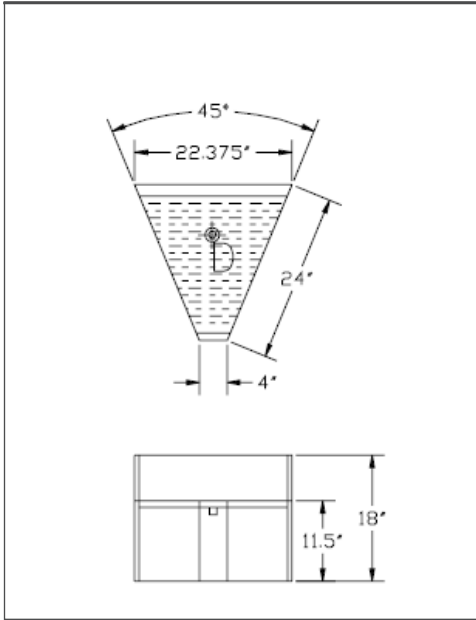
Rev. 09/2011  
No. 5.27



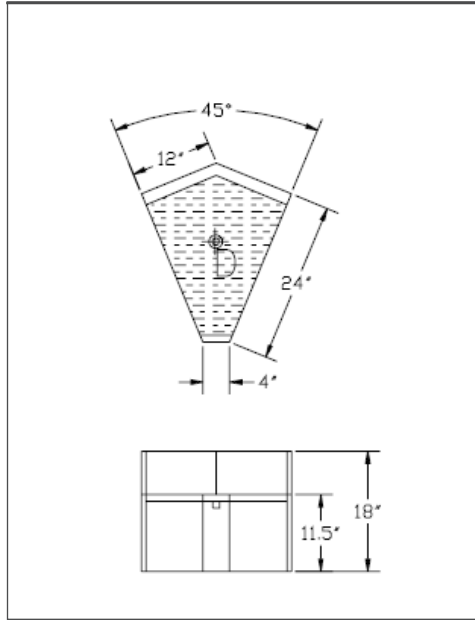
# ROYAL SERIES UNDERBAR REAR CORNER DRAINBOARDS

MODEL: \_\_\_\_\_ PROJECT: \_\_\_\_\_ ITEM #: \_\_\_\_\_ QTY: \_\_\_\_\_

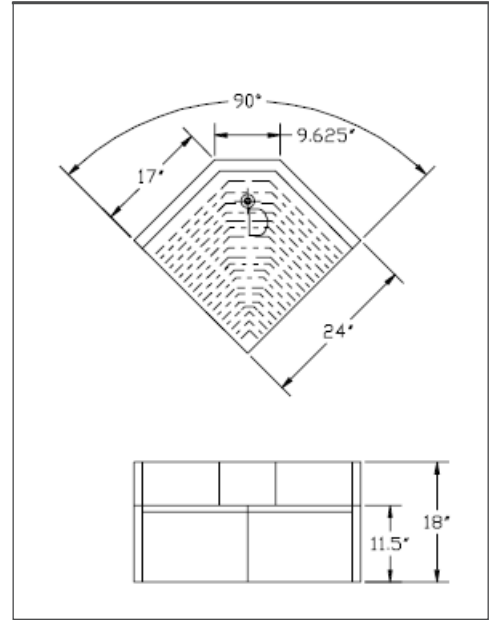
**1800 SERIES: KR18-DR45**



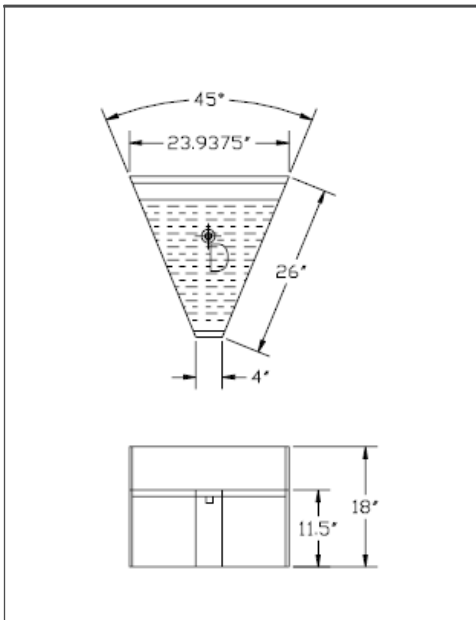
**1800 SERIES: KR18-DRC45**



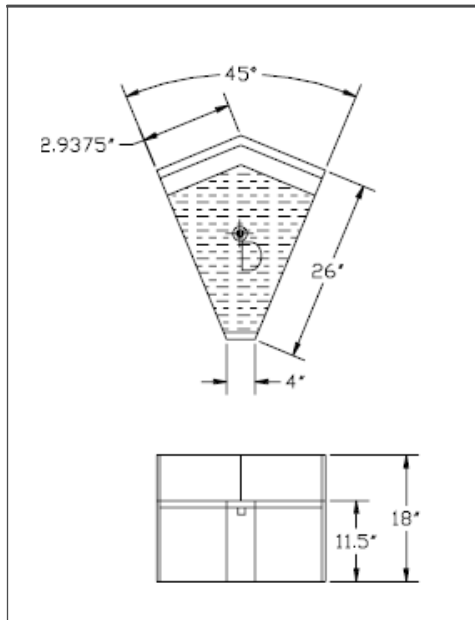
**1800 SERIES: KR18-DRC90**



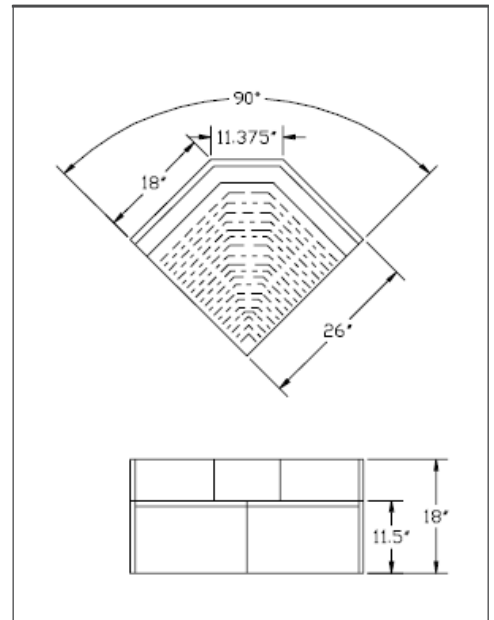
**2100 SERIES: KR21-DR45**



**2100 SERIES: KR21-DRC45**



**2100 SERIES: KR21-DRC90**



**APPROVED BY:**

**CERTIFICATIONS:**

Due to our commitment to continued product improvement, specifications are subject to change without notice.