



# ROYAL SERIES UNDERBAR TRASH STATIONS & MIXOLOGY STATIONS

MODEL: \_\_\_\_\_ PROJECT: \_\_\_\_\_ ITEM #: \_\_\_\_\_ QTY: \_\_\_\_\_

## PRODUCT IMAGE

KR18-T12 shown



## STANDARD FEATURES

- **Front Apron**  
20 gauge stainless steel clad over 20 gauge galvanized steel
- **Backsplash**  
20 gauge stainless steel
- **Sides**  
20 gauge stainless steel
- **Door**  
20 gauge stainless steel
- **NOTE: Trash receptacle not included**

KR18-J12



- Fits 6 Squeeze Bottle (16 oz.) and 3 large juice containers
- Insulated bin with perforated bottom to allow bottles to sit above ice and stay dry
- Speedrail can be mounted in front of unit

KR18-MS24



- 10"W x 12"H x 7"D Sink Bowl
- Plastic perforated strainer
- Plastic cutting board
- Bartender Tool Well
- Glass Rinse faucet
- Wall faucet with 1/4 turn ceramic cartridge valves
- Large stainless steel storage cabinet below



## APPROVED BY:

### CERTIFICATIONS:

Due to our commitment to continued product improvement, specifications are subject to change without notice.

Printed in the USA

**Krowne Metal Corporation**

100 Haul Rd. Wayne, NJ 07470 • Toll Free: (800) 631-0442 • Fax: (973) 872-1129  
sales@krowne.com • www.krowne.com • www.facebook.com/KrowneMetal • www.twitter.com/KrowneMetal

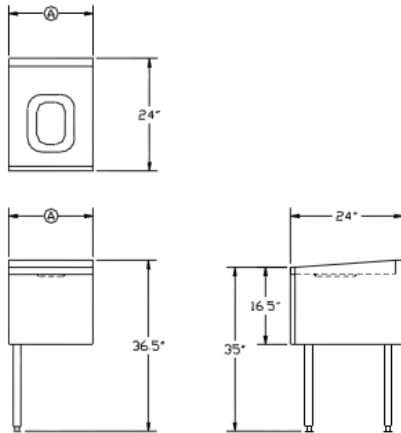
Rev. 08/2015  
No. 5.17



# ROYAL SERIES UNDERBAR TRASH STATIONS

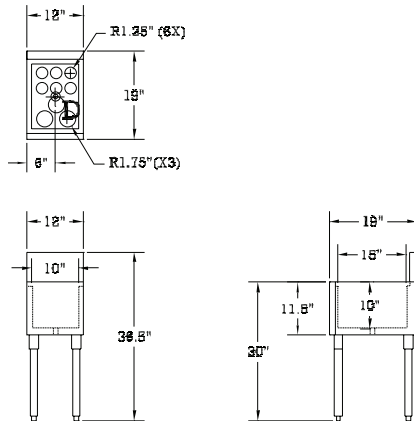
MODEL: \_\_\_\_\_ PROJECT: \_\_\_\_\_ ITEM #: \_\_\_\_\_ QTY: \_\_\_\_\_

**KR18-T14  
shown**



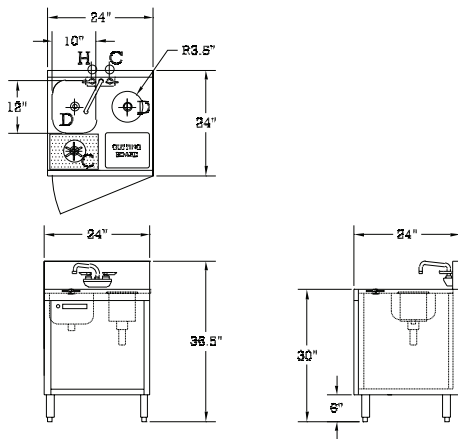
Model Numbers	Overall Length Ⓐ	Location of Legs	Depth	Weight (lbs.)
KR18-T12	12"	N/A	24"	39
KR18-T14L	14"	Left	24"	45
KR18-T14R	14"	Right	24"	45

**KR18-J12**



Model Numbers	Overall Length	Depth	Weight (lbs.)
KR18-J12	12"	19"	30

**KR18-MS24**



Model Numbers	Overall Length	Depth	Weight (lbs.)
KR18-MS24	24"	24"	65



**APPROVED BY:**

**CERTIFICATIONS:**

Due to our commitment to continued product improvement, specifications are subject to change without notice.