



# ROYAL SERIES UNDERBAR STORAGE CABINETS with SINK

MODEL: \_\_\_\_\_ PROJECT: \_\_\_\_\_ ITEM #: \_\_\_\_\_ QTY: \_\_\_\_\_

## PRODUCT IMAGES



KR18-S18C SHOWN

KR18-SD12C SHOWN

**AVAILABLE IN 1800 or 2100 SERIES**

## OPTIONAL ACCESSORIES

- **KR-310** Right End Splash
- **KR-311** Left End Splash
- **KR-701** Perforated Dump Basket

## STANDARD FEATURES

- **Sink Bowl**  
20 gauge stainless steel. 10" x 14" x 10" deep bowl with 1 1/2" drain in center. 9" standpipe. 1 1/2" radius on all vertical and horizontal edges
- **Drainboard**  
20 gauge embossed stainless steel reinforced with welded braces every 6". 3/4" radius on all vertical and horizontal edges
- **Front Apron**  
20 gauge stainless steel clad over 20 gauge galvanized steel
- **Waste Chute**  
6" diameter waste chute with 1/2" raised rim
- **Doors (Optional)**  
20 gauge stainless steel
- **Backsplash**  
20 gauge stainless steel
- **Sides**  
20 gauge stainless steel
- **Back and Bottom**  
20 gauge stainless steel
- **Legs**  
1 5/8" tubular 16 gauge stainless steel with grey plastic bullet foot
- **Plumbing**  
1/2" IPS hot and cold water. 1" IPS drain connection
- **Faucet**  
4" OC wall or deck mount faucet with ceramic cartridge valves
- **Low Lead Compliance**  
Low Lead Compliant faucets meet California AB-1953 and Vermont S152 standards



### CERTIFICATIONS:

### APPROVED BY:

Due to our commitment to continued product improvement, specifications are subject to change without notice.

Printed in the USA

**Krowne Metal Corporation**

100 Haul Rd. Wayne, NJ 07470 • Toll Free: (800) 631-0442 • Fax: (973) 872-1129  
sales@krowne.com • www.krowne.com • www.facebook.com/KrowneMetal • www.twitter.com/KrowneMetal

KaTom Restaurant Supply, Inc.

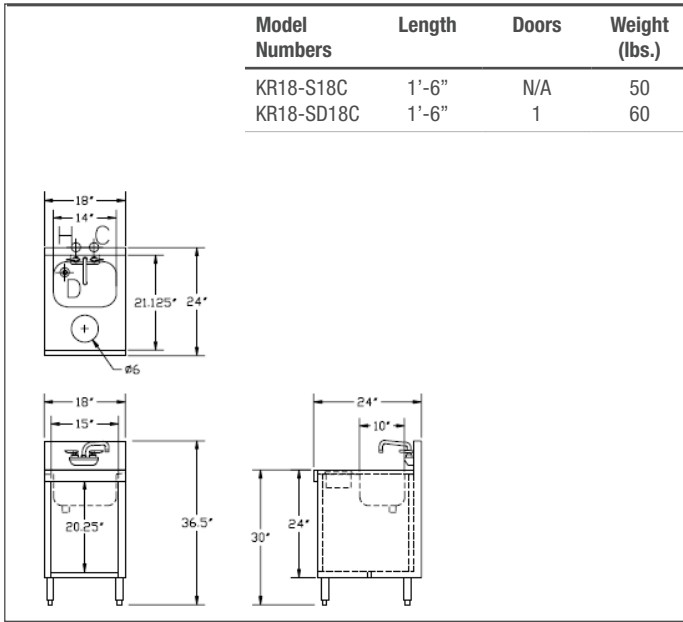
Rev. 03/2012  
No. 5.22



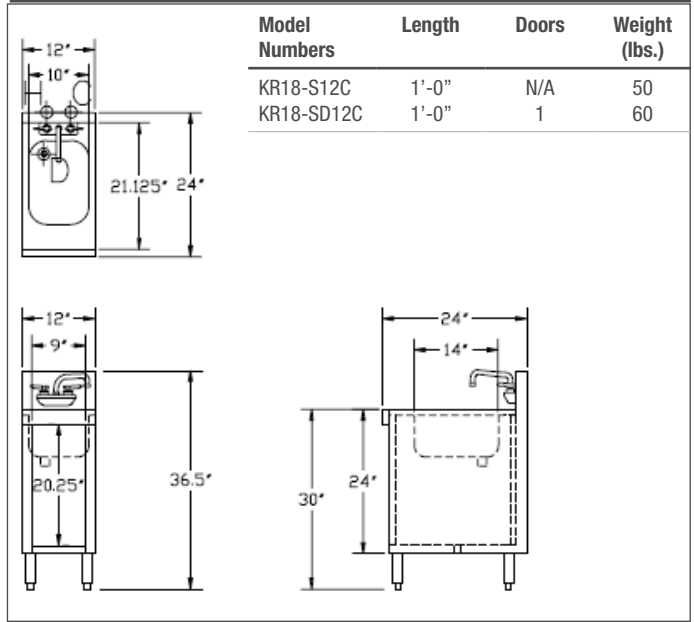
# ROYAL SERIES UNDERBAR STORAGE CABINETS with SINK

MODEL: \_\_\_\_\_ PROJECT: \_\_\_\_\_ ITEM #: \_\_\_\_\_ QTY: \_\_\_\_\_

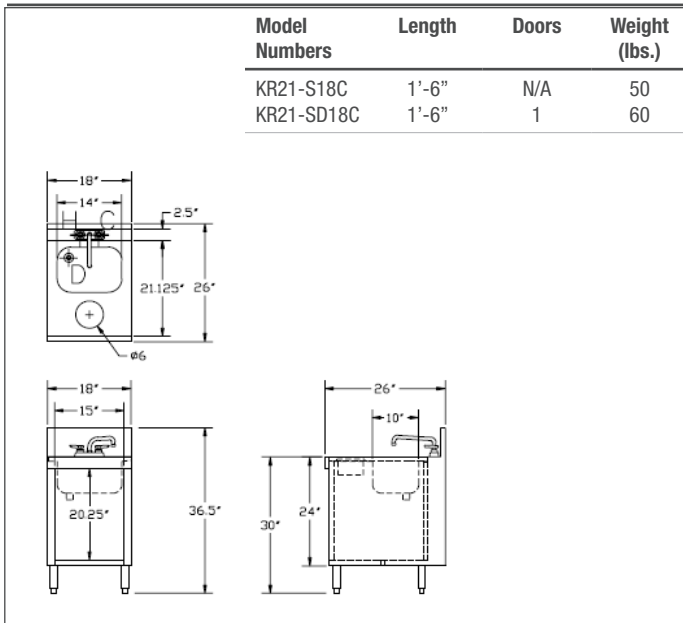
## 1800 SERIES: SINK with WASTE CHUTE



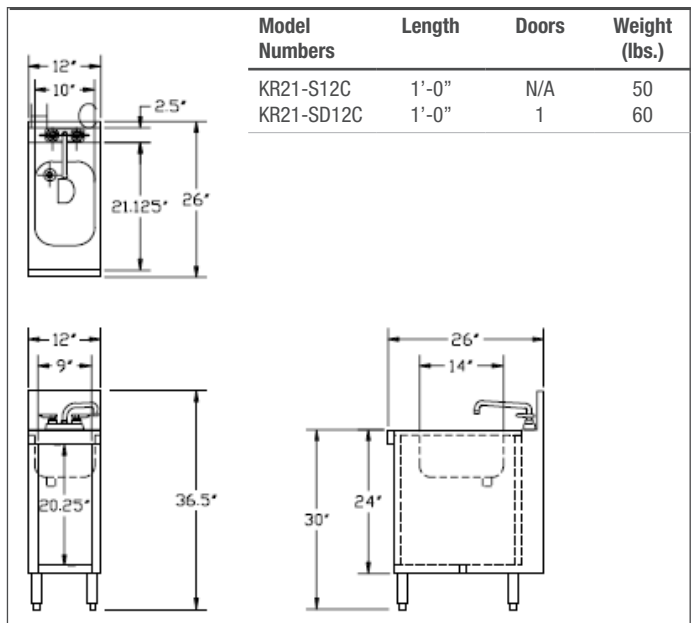
## 1800 SERIES: SINK ONLY



## 2100 SERIES: SINK with WASTE CHUTE



## 2100 SERIES: SINK ONLY



**APPROVED BY:**

Due to our commitment to continued product improvement, specifications are subject to change without notice.

**CERTIFICATIONS:**

Printed in the USA

**Krowne Metal Corporation**

100 Haul Rd. Wayne, NJ 07470 • Toll Free: (800) 631-0442 • Fax: (973) 872-1129

sales@krowne.com • www.krowne.com • www.facebook.com/KrowneMetal • www.twitter.com/KrowneMetal

KaTom Restaurant Supply, Inc.

Rev. 03/2012  
No. 5.22