

BACK BAR STORAGE LIQUOR AND GLASS STORAGE CABINETS

MODEL: _____ PROJECT: _____ ITEM #: _____ QTY: _____

PRODUCT IMAGE



KR-L24 shown with optional 4" legs

AVAILABLE IN 18" & 24" SIZES

PRODUCT IMAGE



KR-G24 shown with optional 4" legs

AVAILABLE IN 18" & 24" SIZES

OPTIONAL ACCESSORIES

- | | | | |
|-----------------|---------------------------------------|-----------------|--|
| ■ BB-100 | Four 6" Stainless Steel Legs | ■ BB-124 | 24" Stainless Steel Front Kick Plate |
| ■ BB-102 | Four 4" Stainless Steel Legs | ■ BB-125 | Optional Stainless Steel Top |
| ■ BB-106 | Left Side Stainless Steel Kick Plate | ■ BB-130 | 1" Ultra Low profile casters with Brakes |
| ■ BB-107 | Right Side Stainless Steel Kick Plate | ■ BB-132 | Four 2" Low profile casters with Brakes |
| ■ BB-118 | 18" Stainless Steel Front Kick Plate | ■ BB-134 | Four 3" casters with Brakes |

APPROVED BY:

CERTIFICATIONS:

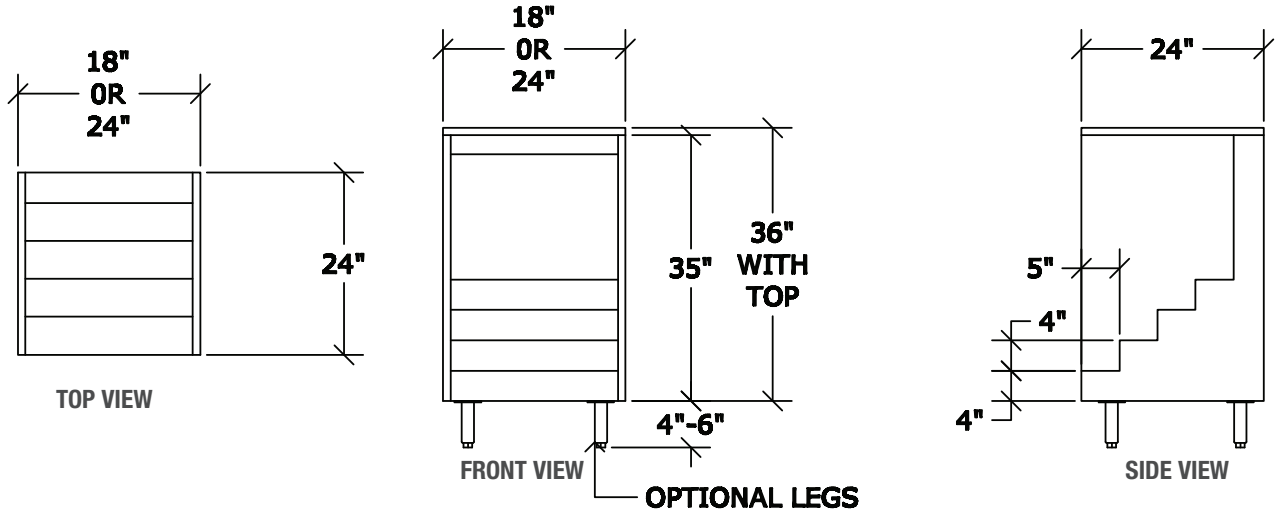
Due to our commitment to continued product improvement, specifications are subject to change without notice.

BACK BAR STORAGE

LIQUOR AND GLASS STORAGE CABINETS

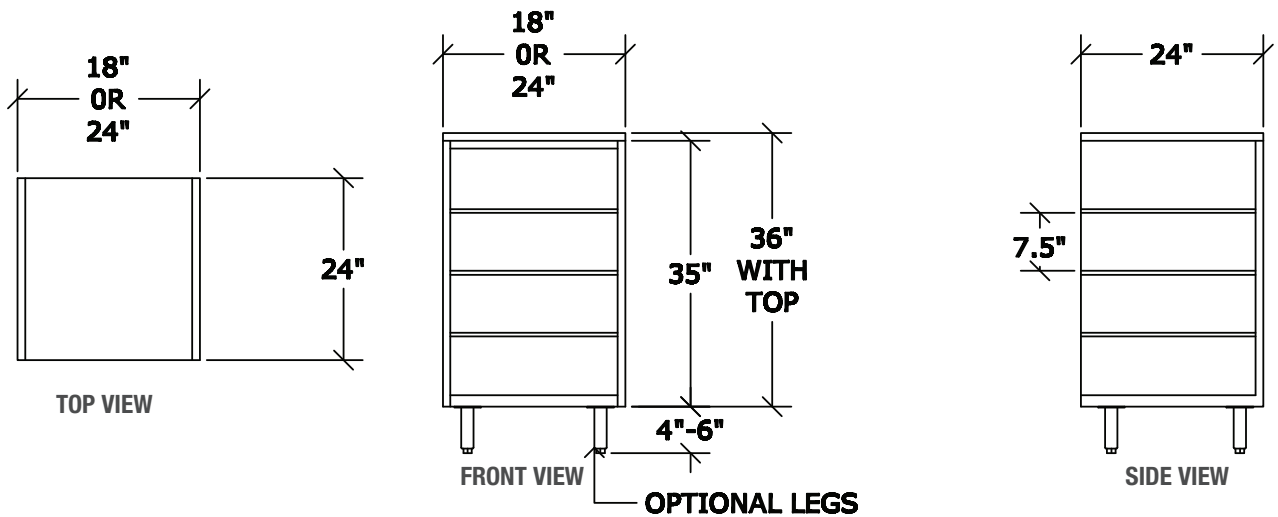
MODEL: _____ PROJECT: _____ ITEM #: _____ QTY: _____

BACK BAR LIQUOR STORAGE



| Model Numbers | Overall Length | Weight (lbs.) |
|---------------|----------------|---------------|
| KR-L18 | 1'-6" | 105 |
| KR-L24 | 2'-0" | 125 |

BACK BAR GLASS STORAGE



| Model Numbers | Overall Length | Weight (lbs.) |
|---------------|----------------|---------------|
| KR-G18 | 1'-6" | 110 |
| KR-G24 | 2'-0" | 130 |

Note: Optional casters raise height 1" higher than wheel size
Note: Optional 4" or 6" legs available

APPROVED BY:

CERTIFICATIONS:

Due to our commitment to continued product improvement, specifications are subject to change without notice.