



ROYAL SERIES UNDERBAR PASS THRU WORKSTATIONS

MODEL: _____ PROJECT: _____ ITEM #: _____ QTY: _____

PRODUCT IMAGE



KRPT-42RP-8 SHOWN

AVAILABLE IN 1800 SERIES

OPTIONAL ACCESSORIES

- **KR-101** Condiment Tray
- **KR-102** Convert Laminated Panels to Stainless Steel
- **KR-110** Stainless Steel Side Splash for Dump Sink
- **KR-12** Stainless Steel Divider (Long Way)
- **KR-200** Upgrade: Low Lead Faucet
- **KR-322** Partial Sliding Cover (Using Bottle Wells)
- **KR-323** Full Sliding Cover (No Bottle Wells)
- **KR-406** Faucet installed Next to Ice for Meltdown
- **KR-415** Stainless Steel Bartender Size Floor Panel
- **KR-701** Perforated Dump Basket
- **KR-S42** 42" Stainless Steel Single Overshelf
- **KR-D42** 42" Stainless Steel Double Overshelf
- **KR-S54** 54" Stainless Steel Single Overshelf
- **KR-D54** 54" Stainless Steel Double Overshelf
- **KR-S66** 66" Stainless Steel Single Overshelf
- **KR-D66** 66" Stainless Steel Double Overshelf

STANDARD FEATURES

- **Overshelf**
20 gauge stainless steel with drain and perforated top
- **Tray Overshelf**
22 gauge stainless steel with drain and perforated top
- **Dump Sink (Blender)**
20 gauge stainless steel. 10" x 14" x 6" deep bowl with 1 1/2" drain in center
- **Blender Shelf**
22 gauge stainless steel
- **Interior (Ice Bin)**
20 gauge stainless steel
- **Soda Gun Holder**
18 gauge stainless steel
- **Panels**
Laminated side panels (specify make/color-stainless steel optional)
- **Cold Plate (Ice Bin)**
Cast aluminum post mix plate with 8 circuits. Plate is sealed into bottom. Each circuit is 5/16" OD stainless steel tubing. Two full with remainder to be half circuits. Bump and swedge fittings on ends
- **Front Apron**
20 gauge stainless steel clad over 20 gauge galvanized steel
- **Sides and Backsplash**
20 gauge stainless steel
- **Back and Bottom**
20 gauge galvanized steel
- **Legs**
1 5/8" tubular 16 gauge stainless steel with grey plastic bullet foot
- **Tube Access**
4" x 4" cutout with chase
- **Electrical (Blender)**
Duplex outlet located underneath Blender Shelf
- **Insulation (Ice Bin)**
Foamed-in-place polyurethane
- **Plumbing**
Cold Plate: 1/2" IPS drain connection
No Cold Plate: 1" IPS drain connection
Shelves: 1" IPS drain connection
Sink Bowls: 1 1/2" IPS drain connection
- **Faucet**
4" center wall or deck mount faucet with ceramic cartridge valves
- **Low Lead Compliance**
Low Lead Compliant faucet options are available to meet California AB-1953 and Vermont S152 standards



CERTIFICATIONS:

APPROVED BY:

Due to our commitment to continued product improvement, specifications are subject to change without notice.

Printed in the USA

Krowne Metal Corporation

100 Haul Rd. Wayne, NJ 07470 • Toll Free: (800) 631-0442 • Fax: (973) 872-1129
sales@krowne.com • www.krowne.com • www.facebook.com/KrowneMetal • www.twitter.com/KrowneMetal

KaTom Restaurant Supply, Inc.

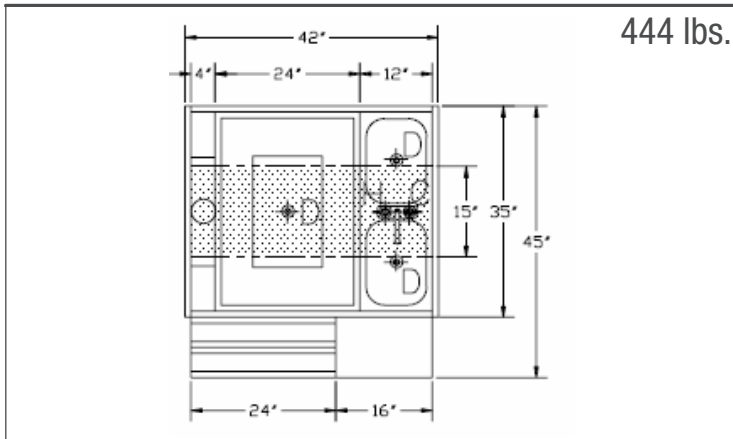
Rev. 09/2011
No. 5.8



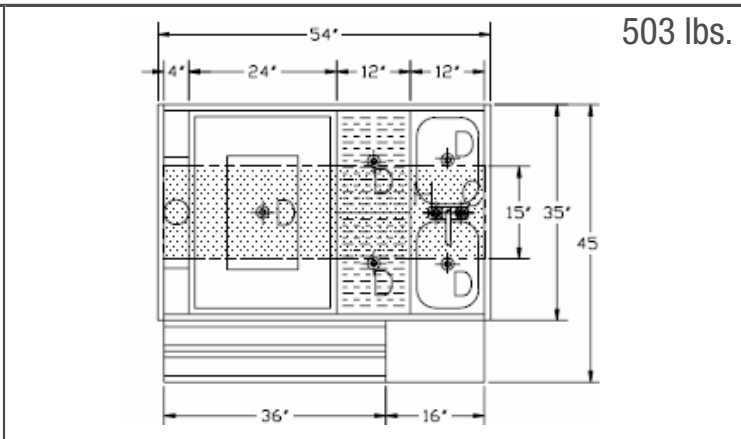
ROYAL SERIES UNDERBAR PASS THRU WORKSTATIONS

MODEL: _____ PROJECT: _____ ITEM #: _____ QTY: _____

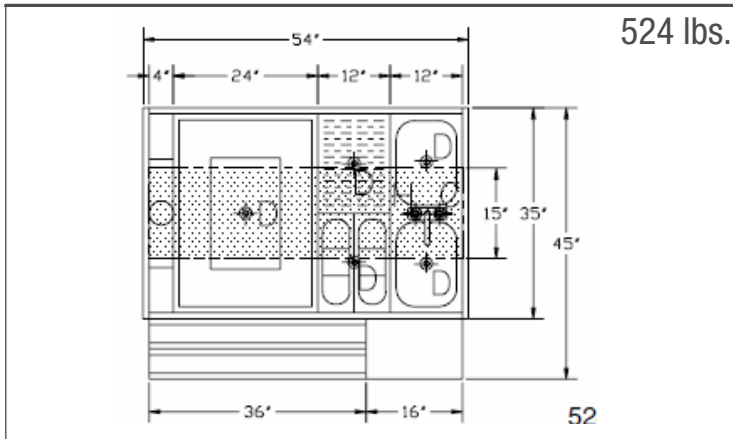
KRPT-42LP-8



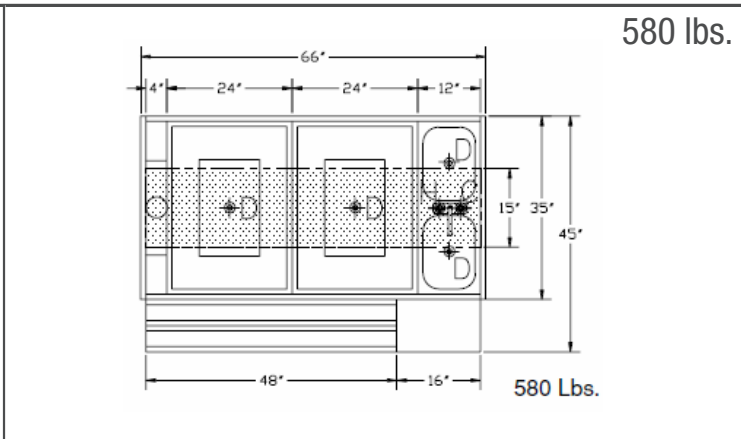
KRPT-54ALP-8



KRPT-54BLP-8

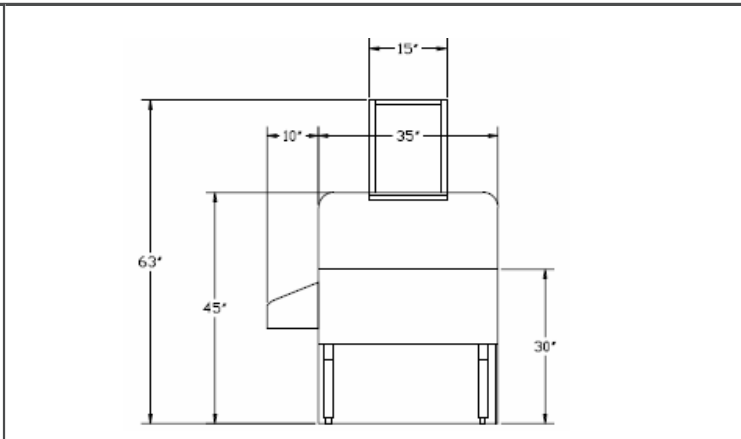
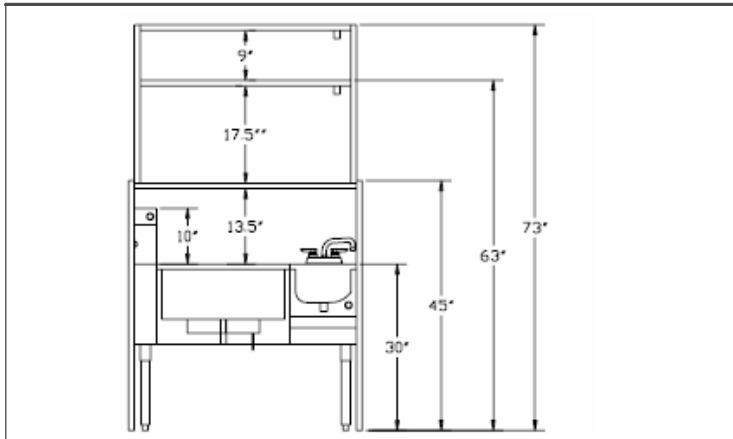


KRPT-66LP-8



OVERHEAD VIEW with DOUBLE OVERSHELF

SIDE VIEW with SINGLE OVERSHELF



MECHANICAL REQUIREMENTS: 1/2" IPS Hot and Cold Water 1" IPS drain connection without Cold Plate. 1/2" IPS drain connection with Cold Plate. 1 1/2" IPS drain connection on Sink Bowls.

APPROVED BY:

Due to our commitment to continued product improvement, specifications are subject to change without notice.



CERTIFICATIONS:

Printed in the USA

Krowne Metal Corporation

100 Haul Rd. Wayne, NJ 07470 • Toll Free: (800) 631-0442 • Fax: (973) 872-1129

sales@krowne.com • www.krowne.com • www.facebook.com/KrowneMetal • www.twitter.com/KrowneMetal

KaTom Restaurant Supply, Inc.

Rev. 09/2011
No. 5.8