



# ROYAL SERIES UNDERBAR PASS THRU WORKSTATIONS

MODEL: \_\_\_\_\_ PROJECT: \_\_\_\_\_ ITEM #: \_\_\_\_\_ QTY: \_\_\_\_\_

## PRODUCT IMAGE



KRPT-42RP-10 SHOWN

AVAILABLE IN 1800 SERIES

## OPTIONAL ACCESSORIES

- **KR-101** Condiment Tray
- **KR-102** Convert Laminated Panels to Stainless Steel
- **KR-110** Stainless Steel Side Splash for Dump Sink
- **KR-12** Stainless Steel Divider (Long Way)
- **KR-200** Upgrade: Low Lead Faucet
- **KR-322** Partial Sliding Cover (Using Bottle Wells)
- **KR-323** Full Sliding Cover (No Bottle Wells)
- **KR-406** Faucet installed Next to Ice for Meltdown
- **KR-415** Stainless Steel Bartender Size Floor Panel
- **KR-701** Perforated Dump Basket
- **KR-S42** 42" Stainless Steel Single Overshelf
- **KR-D42** 42" Stainless Steel Double Overshelf
- **KR-S54** 54" Stainless Steel Single Overshelf
- **KR-D54** 54" Stainless Steel Double Overshelf
- **KR-S66** 66" Stainless Steel Single Overshelf
- **KR-D66** 66" Stainless Steel Double Overshelf

## STANDARD FEATURES

- **Overshelf**  
20 gauge stainless steel with drain and perforated top
- **Tray Overshelf**  
22 gauge stainless steel with drain and perforated top
- **Dump Sink (Blender)**  
20 gauge stainless steel. 10" x 14" x 7" deep bowl with 1 1/2" drain in center
- **Blender Shelf**  
22 gauge stainless steel
- **Interior (Ice Bin)**  
20 gauge stainless steel
- **Soda Gun Holder**  
18 gauge stainless steel
- **Panels**  
Laminated side panels (specify make/color-stainless steel optional)
- **Cold Plate (Ice Bin)**  
Cast aluminum post mix plate with 10 circuits. Plate is sealed into bottom. Each circuit is 5/16" OD stainless steel tubing. Two full with remainder to be half circuits. Bump and swedge fittings on ends
- **Front Apron**  
20 gauge stainless steel clad over 20 gauge galvanized steel
- **Sides and Backsplash**  
20 gauge stainless steel
- **Back and Bottom**  
20 gauge galvanized steel
- **Legs**  
1 5/8" tubular 16 gauge stainless steel with grey plastic bullet foot
- **Tubing Access**  
4" x 4" cutout with chase
- **Electrical (Blender)**  
Duplex outlet located underneath Blender Shelf
- **Insulation (Ice Bin)**  
Foamed-in-place polyurethane
- **Plumbing**  
Cold Plate: 1/2" IPS drain connection  
No Cold Plate: 1" IPS drain connection  
Shelves: 1" IPS drain connection  
Sink Bowls: 1 1/2" IPS drain connection
- **Faucet**  
4" center wall or deck mount faucet with ceramic cartridge valves
- **Low Lead Compliance**  
Low Lead Compliant faucets meet California AB-1953 and Vermont S152 standards



CERTIFICATIONS:

APPROVED BY:

Due to our commitment to continued product improvement, specifications are subject to change without notice.

Printed in the USA

**Krowne Metal Corporation**

100 Haul Rd. Wayne, NJ 07470 • Toll Free: (800) 631-0442 • Fax: (973) 872-1129  
sales@krowne.com • www.krowne.com • www.facebook.com/KrowneMetal • www.twitter.com/KrowneMetal

Rev. 03/2012  
No. 5.8

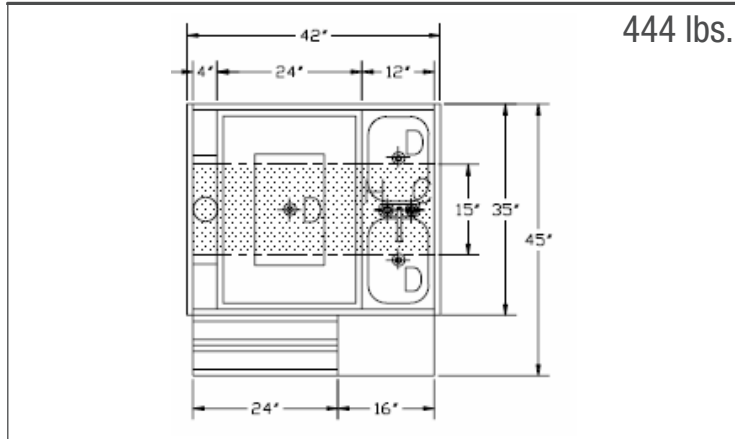
KaTom Restaurant Supply, Inc.



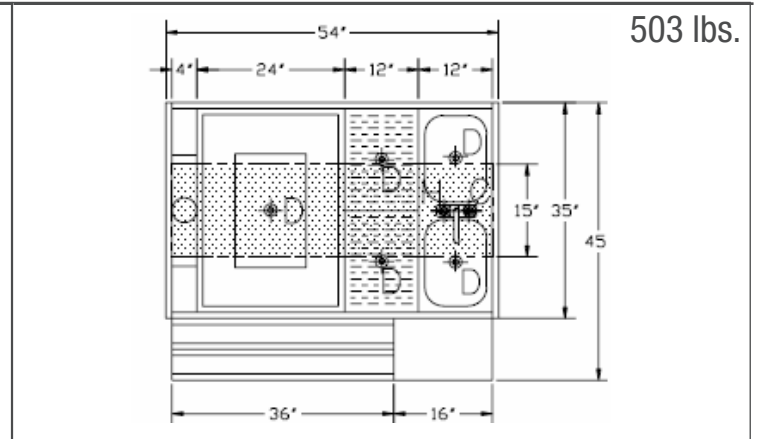
# ROYAL SERIES UNDERBAR PASS THRU WORKSTATIONS

MODEL: \_\_\_\_\_ PROJECT: \_\_\_\_\_ ITEM #: \_\_\_\_\_ QTY: \_\_\_\_\_

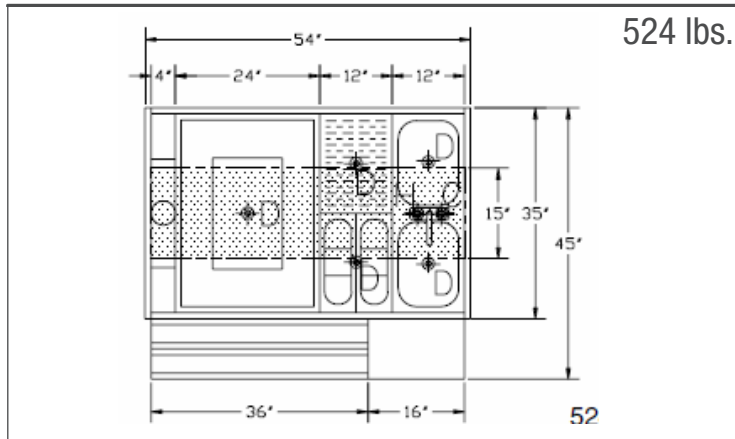
**KRPT-42LP-10**



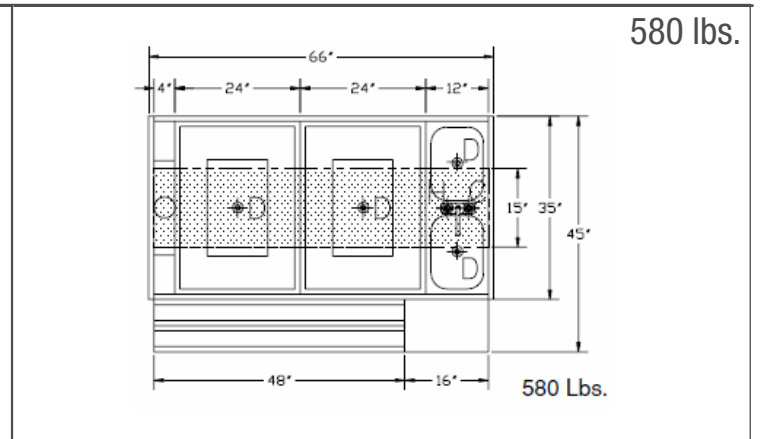
**KRPT-54ALP-10**



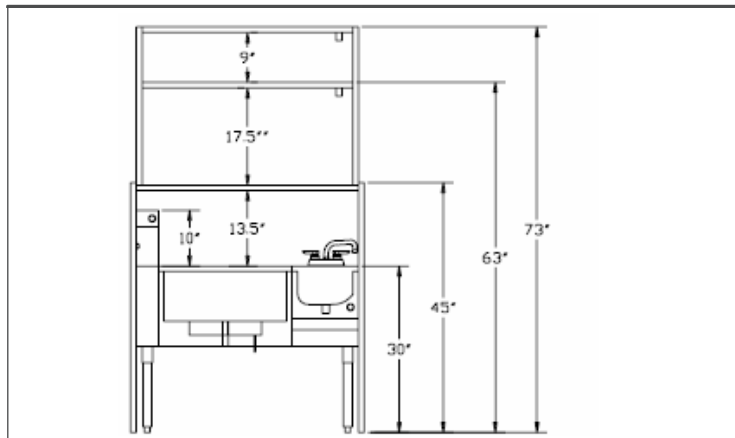
**KRPT-54BLP-10**



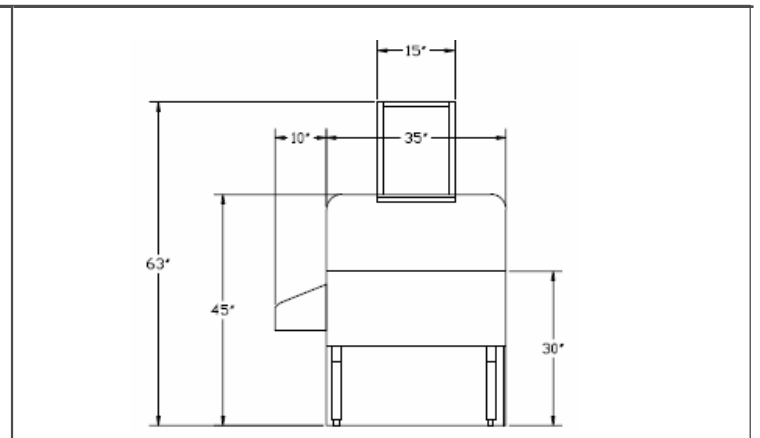
**KRPT-66LP-10**



**OVERHEAD VIEW with DOUBLE OVERSHELF**



**SIDE VIEW with SINGLE OVERSHELF**



**MECHANICAL REQUIREMENTS:** 1/2" IPS Hot and Cold Water 1" IPS drain connection without Cold Plate. 1/2" IPS drain connection with Cold Plate. 1 1/2" IPS drain connection on Sink Bowls.



**APPROVED BY:**

Due to our commitment to continued product improvement, specifications are subject to change without notice.

**CERTIFICATIONS:**

Printed in the USA

**Krowne Metal Corporation**

100 Haul Rd. Wayne, NJ 07470 • Toll Free: (800) 631-0442 • Fax: (973) 872-1129

sales@krowne.com • www.krowne.com • www.facebook.com/KrowneMetal • www.twitter.com/KrowneMetal

KaTom Restaurant Supply, Inc.

Rev. 03/2012  
No. 5.8