



Model: \_\_\_\_\_ Item #: \_\_\_\_\_ Date: \_\_\_\_\_  
 Project: \_\_\_\_\_ Qty: \_\_\_\_\_ Approved By: \_\_\_\_\_

# Self-Contained Sliding Door Pass Thru Back Bar Cooler

**REFRIGERATION**



**AVAILABLE WITH LEFT OR RIGHT SIDE COMPRESSOR**

## Optional Accessories

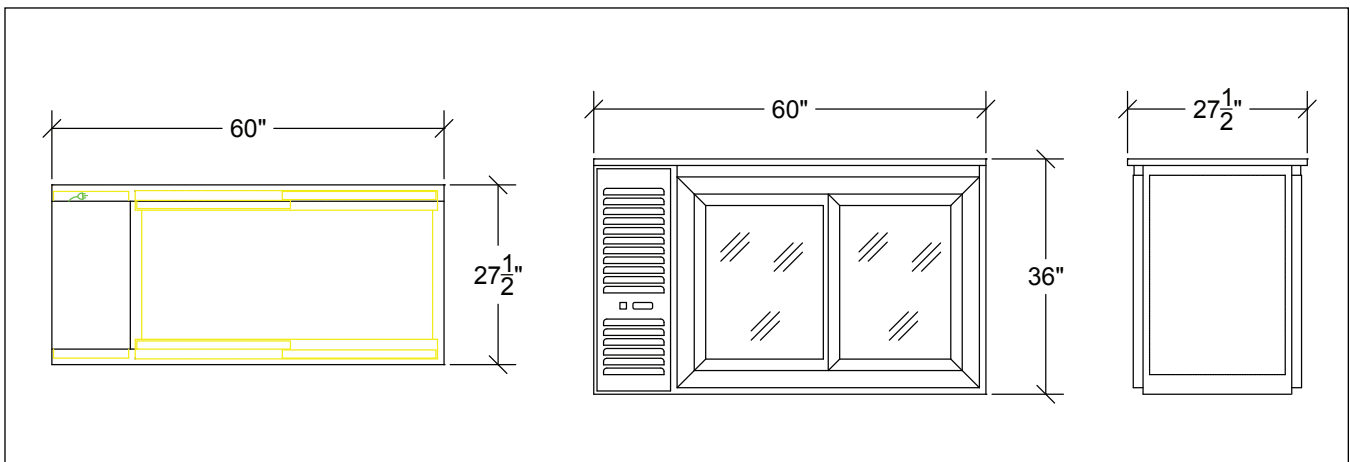
<b>BS-100</b>	Four 6" Stainless Steel Legs
<b>BS-102</b>	Four 4" Stainless Steel Legs
<b>BS-106</b>	Left Side Stainless Steel Kick Plates
<b>BS-107</b>	Right Side Stainless Steel Kick Plate
<b>BS-108</b>	Four 3" Casters with Brakes
<b>BS-160</b>	60" Stainless Steel Front Kick Plate
<b>BC-130</b>	1" Ultra Low Profile Casters w/ Brakes
<b>BC-132</b>	Four 2" Low Profile Casters w/ Brakes
<b>BC-134</b>	Four 3" Casters w/ Brakes

## Standard Features

<b>Electrical</b>	115 V, 1 Phase, 60 Hz. Furnished with 8'-0" plug-in cord, which exits left rear of cooler. NEMA 5-15P Plug Configuration. Dedicated 15 Amp circuit recommended. 6.0 Full Load Amps, 1/4 HP
<b>Refrigeration</b>	Self-contained 134A Refrigerant. 30°F - 40°F operating range. Digital Thermostat on front grille.
<b>Case Capacity</b>	Long Neck Bottle: 15.5 12 oz. Cans: 20 Wine Bottles (each): 162
<b>Interior</b>	20 gauge stainless steel with coved corners. Two adjustable epoxy coated wire shelves with floor rack per door. Door Opening: 29-11/16" high x 19-15/16" wide
<b>Exterior</b>	Sides: 20 gauge stainless steel Front: Black vinyl w/ glass doors Back: Black vinyl w/ glass doors Top: Stainless steel top
<b>Insulation</b>	2" thick foamed-in-place polyurethane
<b>Plumbing</b>	No drain connection required. Condensate evaporator pan included.

**\*This equipment is intended for the storage and display of non-potentially hazardous bottle or canned products only.\***

## Specifications



**Note:** Optional casters raise height 1" higher than wheel size  
**Note:** Optional 4" or 6" legs available

