



Heavy Duty Spreaders

> [Home](#) > [Medallion Hotel Ranges](#) > [Spreader Tops](#) > [Specifications](#)



HD11-SP-O
HD11-SP-M
HD17-SP-O
HD17-SP-M
HD34-SP-O
HD34-SP-M



Heavy Duty Spreaders

Standard Features:

Stainless steel front and sides STANDARD
6" (152mm) chrome steel adjustable legs
Adjustable stainless steel front rail 6-1/16" (154mm) to 7-5/8" (194mm)
Storage base interior is aluminized steel
One year limited parts & labor warranty, (USA and Canada only)
12 gauge stainless steel top front rail and work surface
Spreaders available in 11", 17", 34" sizes
.Available with cabinet bottom, modular top or as spreader plate
1-1/4" NPT front manifold



Optional Features:

Stainless steel back rear panel
Rear gas connection on select models, 3/4" or 1" NPT
End caps and cover (no charge)- Must specify
Polyurethane non-marking swivel casters (2) w/front brakes
Storage base shelf-aluminized or stainless steel
Single deck stainless steel high shelf (on select models)
Double deck stainless steel high shelf (on select models)
10" (254 mm), 17" (432mm) 22.375" (568mm) 34.375" (873mm) high stainless steel backguard (on select models)
Stainless steel vertical flue riser, 13" W x 34.375"H, (330mm x 873mm)



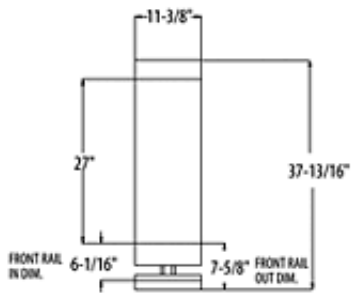
Technical Specifications:

HD11-SP

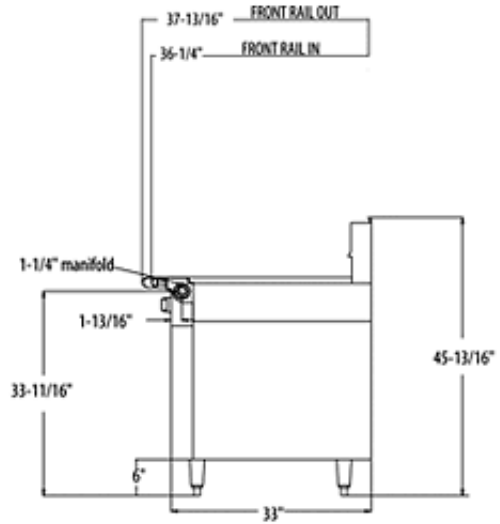
Front



Top



Side

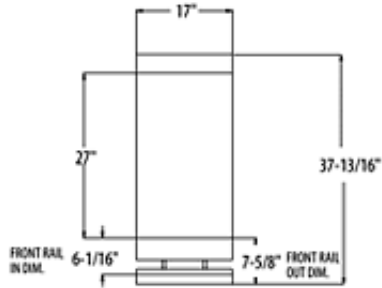


HD17-SP

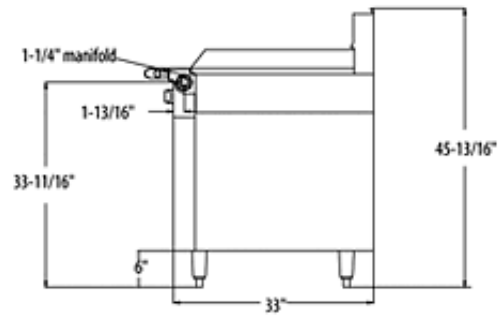
Front



Top

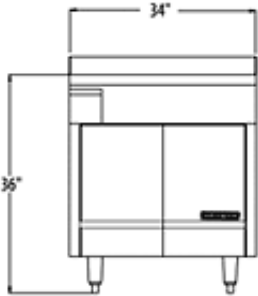


Side

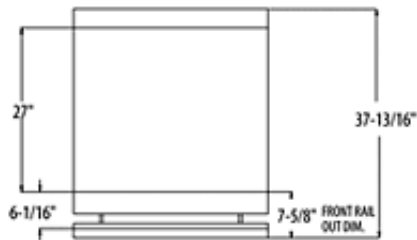


HD34-SP

Front



Top



Side

