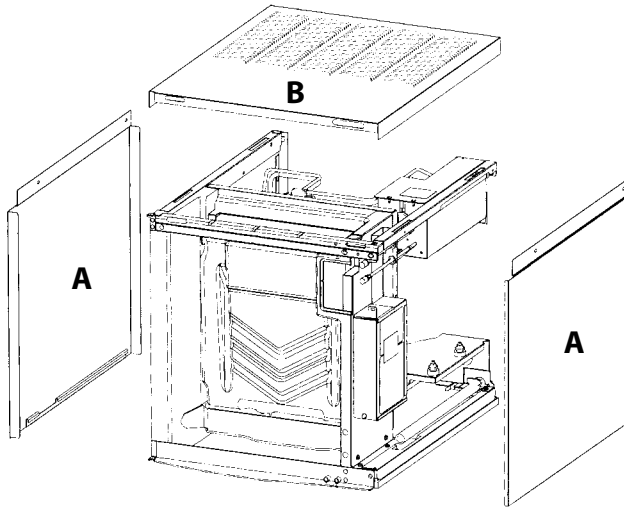




Top Air Discharge Kit FOR INDIGO® ICE MACHINES

Kits

- K-00379
 K-00438
 K-00439
 K-00449



Kit includes:

- A) Two solid stainless steel side panels
- B) One louvered stainless steel top

Standard Features:

- Transfers air discharge from the sides of the machine to the top by having the louvered panel on the top of the machine rather than the sides
- Re-directs the hot air from the ice machine toward the ceiling rather than directly into the working kitchen environment
- Ideal for locations where space on side of the machine is less than 8" for Indigo Series 450-1106 or 12" for Indigo Series 322, 522, and 1200
- Top air discharge kit is available for Indigo Series 322, 522, 450, 500, 606, 906, and 1106, and 1200
- No hardware needed

Ice Machine	Height	Width	Kit
Indigo 322 or 522	21.5"	22"	K-00438
Indigo 450, 500, 606	21.5"	30"	K-00379
Indigo 906	26.5"	30"	K-00439
Indigo 1106 or 1200	29.5"	30"	K-00449

Ice Machine	Minimum Top Clearance Requirements	Minimum Back Clearance Requirements
Indigo 450, 500, 606, 906, 1106, 1200	8"	5"
Indigo 322 or 522	12"	5"

Installation Instructions

Disconnect electric power to the ice machine (and dispenser if applicable) at the electric switch box before proceeding.

1. Open front door
2. Remove top panel
3. Remove louvered left and right side panels
4. Install new solid left and right side panels
5. Install louvered top panel
6. Secure front door
7. Apply power

5378 ©2014 Manitowoc 8/14 Continuing product improvement may necessitate change of specifications without notice.