

# **Q-Model Series 210 Ice Cube Machine**

# **New**



*Q-Model Series 210*

- *Up to 220\* lbs. (100 kgs.) daily ice production*  
\*Production rating outside the scope of ARI Standard 820.
- *Only 26" (66.04 cm) wide, 26.50" (67.31 cm) deep, and 38.50" (82.55 cm) high on 6" (15.24 cm) legs*
- *80 lb. (36.6 kg) ice storage capacity*
- *Slide up and in bin door tucks under ice machine top cover. Patented ice damper maximizes ice storage capacity*
- *Stainless steel exterior with the fit and finish of an appliance*
- *Patented cleaning and sanitizing technology*
- *R-404A CFC-free refrigerant*
- *Warranty*
  - *5-year parts and 5-year labor coverage on ice machine evaporator*
  - *5-year parts and 3-year labor coverage on ice machine compressor*
  - *3 year parts-and-labor coverage on all other components*



**ISO 9001  
Quality  
System  
Certified**

**THE RIGHT CLIMATE FOR LEADERSHIP**

**Manitowoc®**

ICE CUBE MACHINES • ICE STORAGE BINS

# Manitowoc Q-Model 210 Series


A seamless blend of thoughtful design, new technology and rugged construction.

Model	Cube size	Ice production lbs./Kgs. 24 hours	Power kWh/100 lbs.
QR-0210A	regular	145 lbs./66 Kgs.	10.6
QR-0211W	regular	175 lbs./79 Kgs.	7.4
QD-0212A	dice	155 lbs./70 Kgs.	9.9
QD-0213W	dice	190 lbs./86 Kgs.	6.8
QY-0214A	half-dice	155 lbs./70 Kgs.	9.9
QY-0215W	half-dice	190 lbs./86 Kgs.	6.8
Water usage/100 Lbs./45.4 Kgs. of Ice			
Potable Water: 33.5 gallons, 127 Liters			
Water-cooled Condenser: 142 gallons, 537 Liters			

\* "A" or "W" following model number indicates "Air" or "Water" condensing unit.

24-HOUR PRODUCTION †								lbs./kgs.
AIR-COOLED UNIT				WATER-COOLED UNIT				
air temp	water temp			air temp	water temp			
F	50°	70°	90°	F	50°	70°	90°	
°C	10°	21°	32°	°C	10°	21°	32°	
70°	215	185	165	70°	220	205	170	
21°	98	84	75	21°	100	93	77	
80°	200	170	150	80°	215	200	165	
27°	91	77	68	27°	98	91	75	
90°	185	155	135	90°	205	190	155	
32°	84	70	61	32°	93	86	70	

† Production for Dice and Half Dice cubes. Regular cube is 7% less than chart and kWh/100 lbs. increases 7%.

 **Certified In Accordance With ARI Ice Storage Bins Certification Program, which is based on ARI Standard 820**

## Ice Machine Electric

115/60/1. (208-230/60/1 also available.) For 230/50/1 see 50 cycle literature. 115/60/1 ice machines are factory pre-wired with a 6' (180 cm) power cord and NEMA 5-15P-plug configuration. 208-230/60/1 ice machines are factory pre-wired with a 6' (180 cm) power cord only, no plug is supplied.

### Total Amps:

Air-cooled — 7.8 amps. Water-cooled — 7.0 amps.

### Maximum fuse size:

Air and Water-cooled — 15 amps.

HACR-type circuit breakers can be used in place of fuses.

## Specifications

### BTU Per Hour:

3,800 (average) 5,000 (peak)

### Compressor:

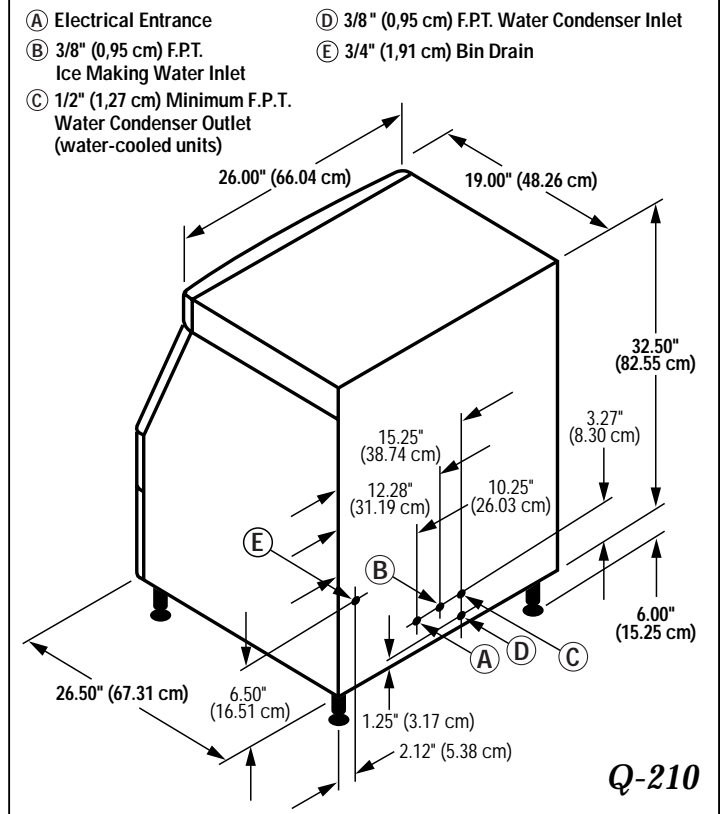
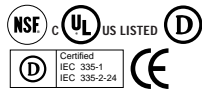
Nominal rating: 1/3 HP

### Cupra-Nickel Condenser:

(Water-cooled models)  
Adds protection from corrosive water elements.

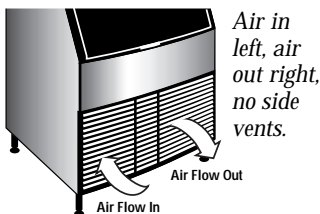
### Operating Limits:

- Ambient Temperature Range: 35°-110°F (1.7°-43.3°C)
- Water Temperature Range: 33°-90°F (0.6°-32.2°C)
- Water Pressure Ice Maker Water In: Min 20 psi (137.9 kPa) Max 80 psi (551.1 kPa)
- Condenser Inlet Water In: (Water cooled only) Min. 20 psi (137.9 kPa) Max. 150 psi (1,034.2 kPa)

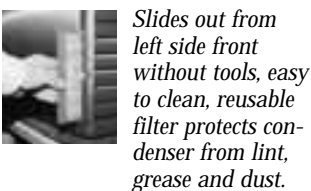


**Installation Note** - Recommended clearance for top, sides, and back is 5" (12.7 cm) however, there is no minimum clearance required.

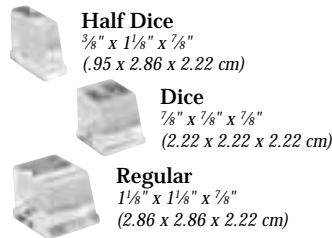
## Air Flow Front View



## Air Filter



## 3 Cube Sizes to Choose From



## Front Access

Initiate ice, off and clean operations with simple upfront selector switch. No need to remove front panel.



**THE RIGHT CLIMATE FOR LEADERSHIP**  
Consult your local Manitowoc Representative:

Manitowoc Ice, Inc.  
2110 South 26th Street, P.O. Box 1720 • Manitowoc, WI 54221-1720, USA  
Ph: 920-682-0161 • Fax: 920-683-7589  
[www.manitowocice.com](http://www.manitowocice.com)

