



RNS-1000 Nugget Ice Machine

Models

- RNS-1008A RNS-1009W



RNS-1008A Nugget Ice Machine on B-570 Bin

Standard Features

- Bite sized nugget with 90% ice content offers one of the best ice to water ratios for maximum cooling and minimal drink dilution
- Up to 1158 lbs. (525 kg) of daily ice production
- Perfect for beverage applications, dispensing, smoothies, and cold therapy
- Can be paired with any 30" Servend beverage dispenser for an unbeatable soft-drink experience
- Continuous production offers quieter operation with no noisy harvest cycles
- Evaporator is designed for maximum quality and operating life



Specifications

BTU Per Hour:
7,500 (average)
10,900 (peak)

Compressor:
Nominal rating: 1.5 HP

Refrigerant: R404A

Operating Limits:

- Ambient Temperature Range: 50°-100°F (14.4°-37.8°C)
- Water Temperature Range: 45°-90°F (7.2°-32.2°C)
- Water Pressure Ice Maker Water In:
Min. 20 psi (137.9 kPa)
Max. 70 psi (483 kPa)

Ice Shape

Nugget ice consists of small pieces ranging from 3/8" to 1/2" in width and length. Offers a 90% ice to water ratio with a soft, chewable texture while still providing maximum cooling effect and dispensibility.



Ice shown actual size

Ice Machine Electric

208-230/60/1 standard
(230/50/1 also available.)

Minimum Circuit Ampacity: Air-cooled: 14.2 amps
Water-cooled: 13.7 amps

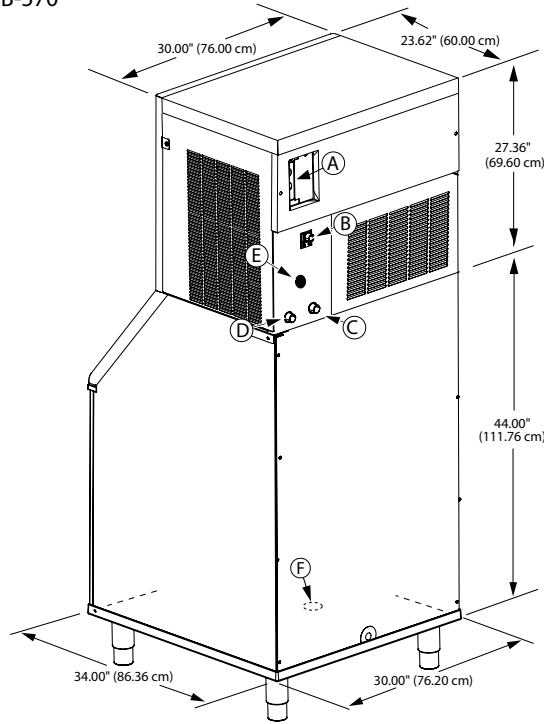
Maximum fuse size: Air- and Water-cooled: 20 amps





RNS-1000 Nugget Ice Machine

RNS-1000 on B-570 Storage Bin



Installation Note -

Minimum installation clearance: Top/sides: 8" (20.32 cm), back: 5" (12.7 cm).

Dispenser Note -

Verify with the dispenser manufacturer that the correct agitator and deflector kit for nugget ice dispensing is included with your dispenser purchase.

- (A) Electrical Entrance (2) Options
- Air-Cooled Units:**
 - (B) 3/8" F.P.T. Ice Making Water Inlet
 - (C) 1/2" M.P.T. Ice Making Water Drain
- Water-Cooled Unit Option:**
 - (B) 3/8" F.P.T. Condenser Inlet
 - (C) 1/2" M.P.T. Condenser Drain
 - (D) 1/2" M.P.T. Ice Making Water Drain
 - (E) 3/8" F.P.T. Ice Making Water Inlet
 - (F) 3/4" F.P.T. Bin Drain

Space Saving Designs

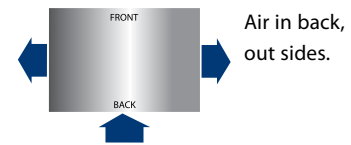


RNS-1000 B-570

Height	77.36" 196.50 cm
Width	30.00" 76.20 cm
Depth	34.00" 86.30 cm
Bin Storage	430 lbs. 195 kgs

Height includes adjustable bin legs 6.00" to 7.00", (15.24 to 17.78 cm) set at 6.00" (15.24 cm).

Air Flow Top View



Specifications

	Model	Ice Shape	Ice Production 24 Hours		Power Usage kWh/100 lbs. @ 90° Air/70°F 32° Air/21°C Water	Water Usage/100 lbs. 45.4 kgs of Ice		ENERGY STAR®
			70° Air/ 50°F Water 21° Air/10°C Water	90° Air/ 70°F Water 32° Air/21°C Water		Potable Water	Condenser Water	
AIR-COOLED	RNS-1008A	Nugget	1078 lbs.	825 lbs.	5.41	12 Gal.	-	★
			489 kgs	374 kgs		45.4 L	-	★
WATER-COOLED	RNS-1009W	Nugget	1158 lbs.	960 lbs.	4.04	12 Gal.	131 Gal.	NA
			525 kgs	435 kgs		45.4 L	496 L	NA

Order ice storage bin separately. "A", or "W" following model number indicates "Air", or "Water" condensing unit. Will not accept AuCS accessory.